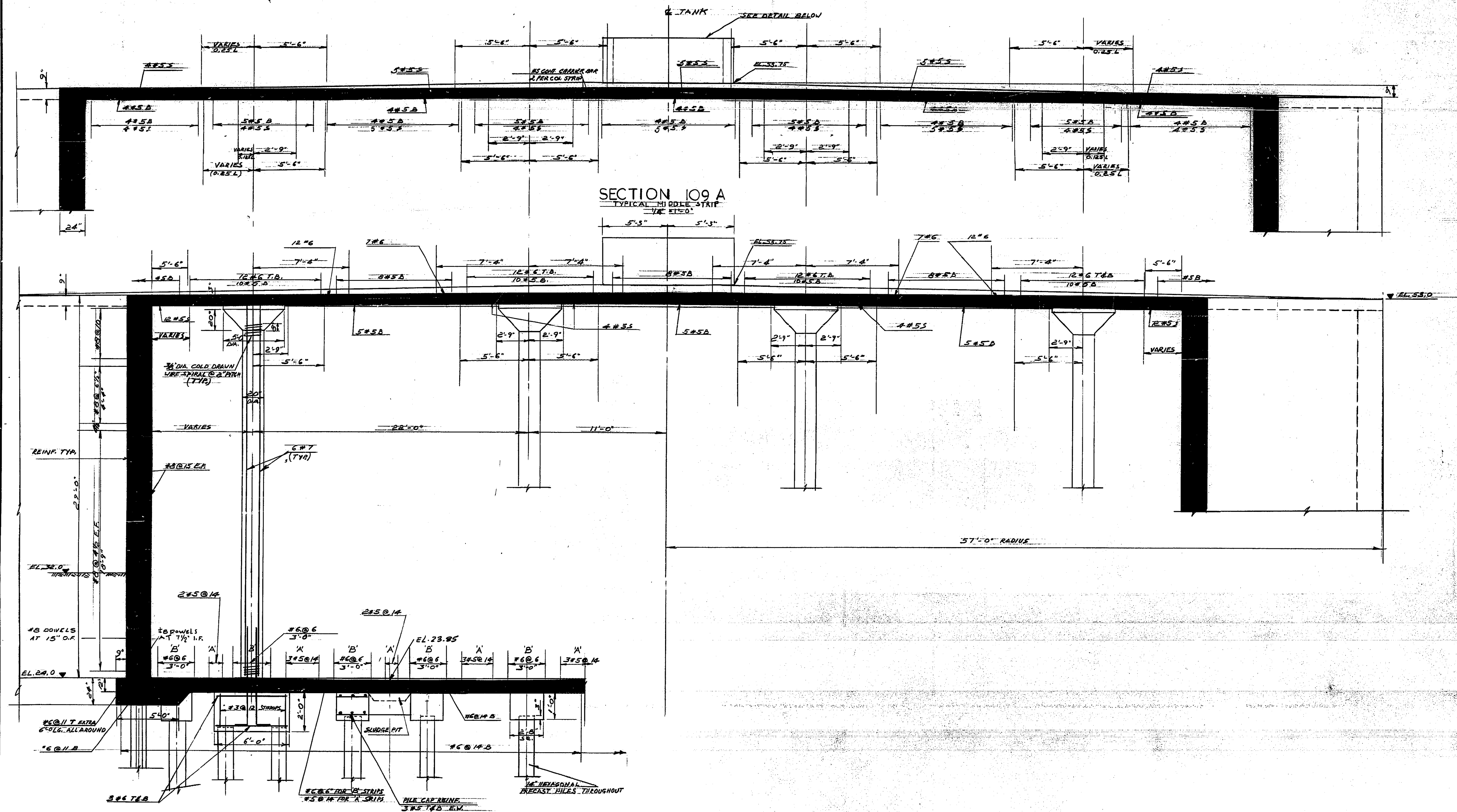
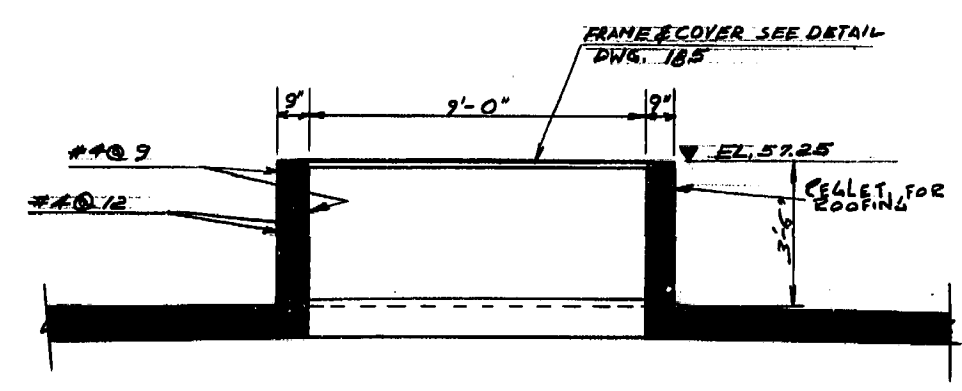


REF. DRAWING NO. N.E.P. 109

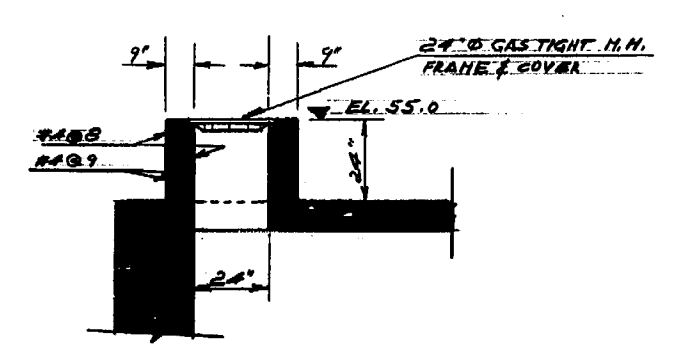
DETAILS



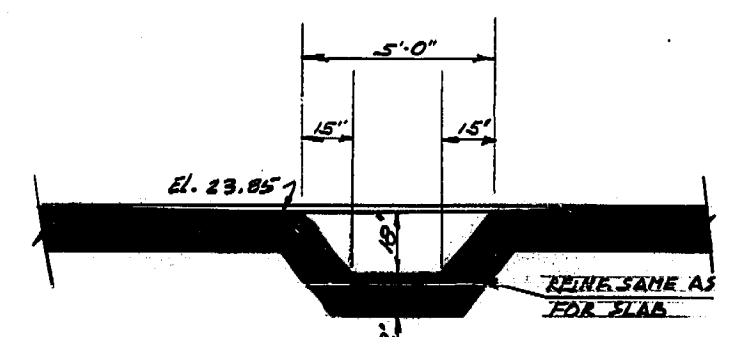
SECTION 109 B  
TYPICAL COLUMN STRIP  
1/4" x 1'-0"



DETAIL OF CENTER ROOF OPENING  
1/4" x 1'-0"

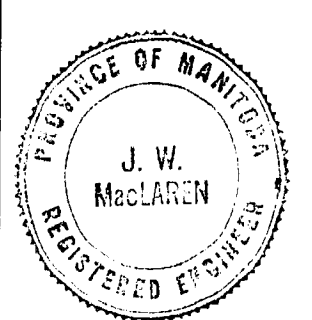


DETAIL OF ACCESS MANHOLE  
1/4" x 1'-0"



DETAIL OF SLUDGE PIT  
1/4" x 1'-0"

REVISIONS		
No.	DATE	DETAIL



THE METROPOLITAN CORPORATION OF GREATER WINNIPEG  
WATERWORKS AND WASTE DISPOSAL DIVISION

**NORTH END SEWAGE TREATMENT PLANT**

**CONTRACT A - DIGESTION AREA**  
**STRUCTURAL - TANKS**  
**SECTIONS & DETAILS**

APPROVED  
*J. W. MacLaren*  
 JAMES F. MACLAREN LIMITED  
 ENGINEERS  
 TORONTO

APPROVED  
*D. R. Grimes*  
 W.L. WARDROP ASSOCIATES  
 (MANAGEMENT) LIMITED  
 ENGINEERING CONSULTANTS WINNIPEG

DATE: MARCH 11, 1963  
 SCALE: AS SHOWN  
 DWG. No. 109 OF 217  
**NEP-109**

FOR ACTUAL ELEV.  
SUBTRACT 0.37 FT.

**AS BUILT**

AUG. 1966