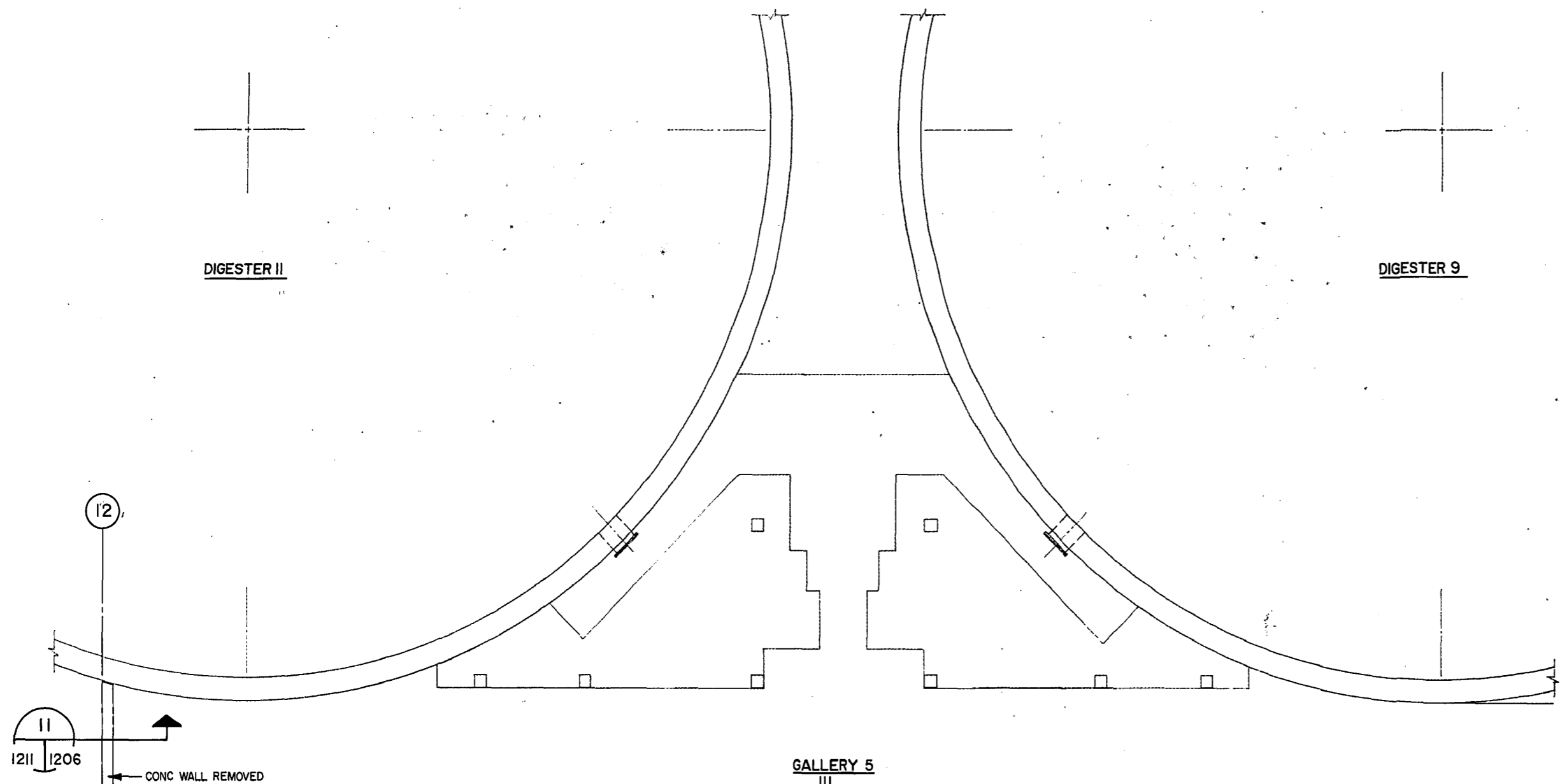
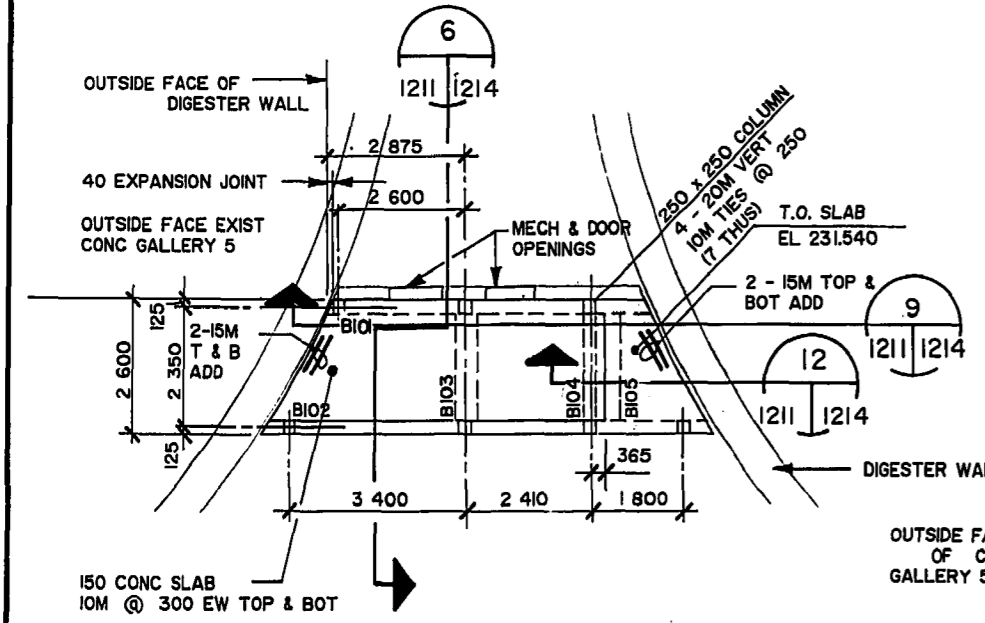


GENERAL NOTES:

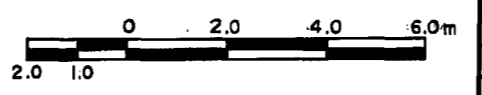
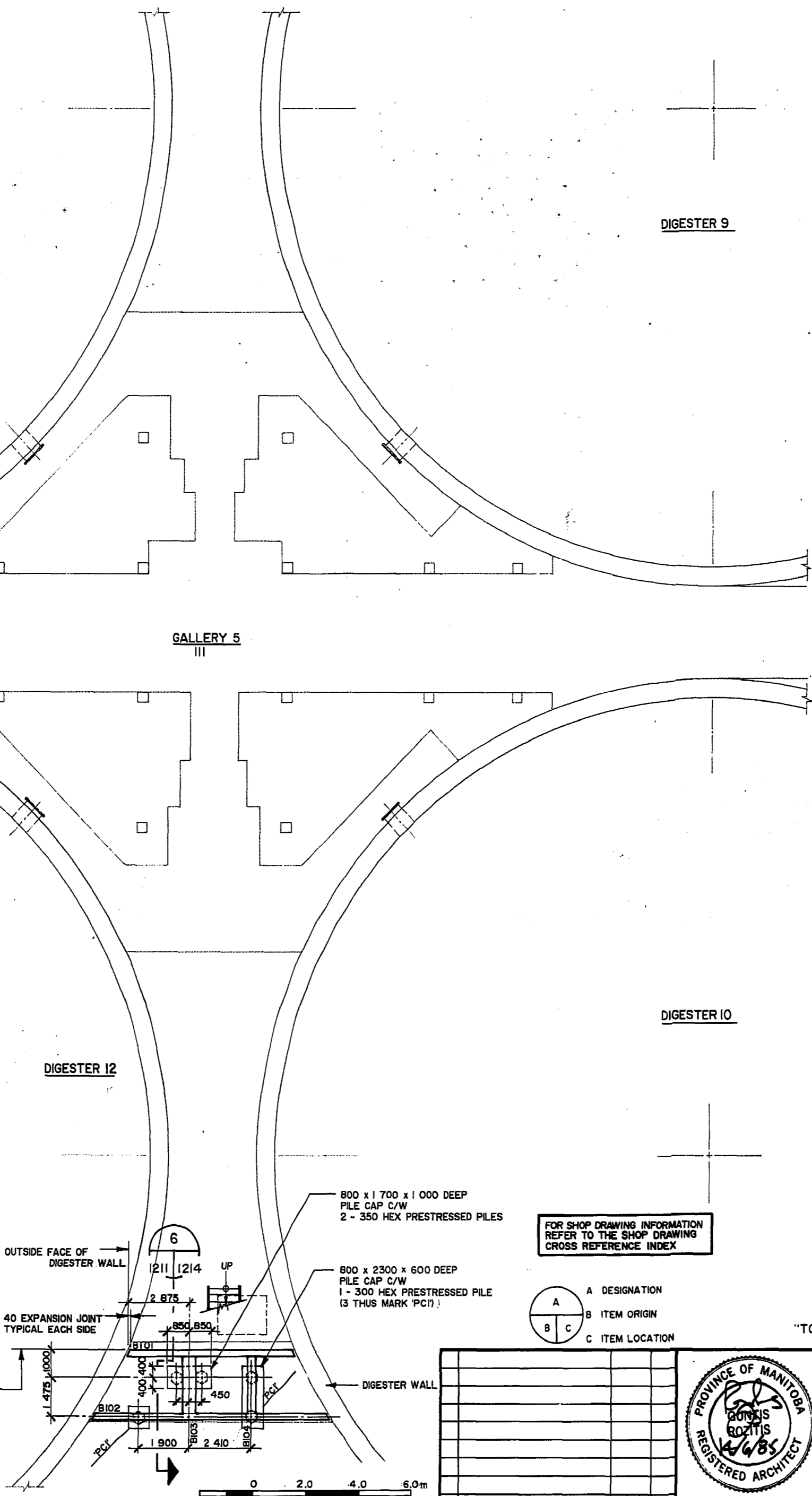
- 1 OPENINGS THROUGH EXISTING WALLS & FLOORS FOR PIPES
- SEE PROCESS & MECHANICAL DRAWINGS FOR LOCATION AND SIZE



- BEAM REINFORCING:**
- B101 - 250 x 950
2 - 35M TOP
2 - 25M BOT
15M @ 300 HORIZ EF
10M STIRRUPS @ 300
 - B102 - 250 x 1730
2 - 30M TOP & BOT
15M @ 300 HORIZ EF
10M @ 300 STIRRUPS
 - B103 - 500 x 1160
6 - 25M TOP 1000
3 - 25M BOT
15M @ 300 HORIZ EF
10M DWLS @ 700 EF INTO B101
10M DWLS @ 1100 EF INTO B102
10M STIRRUPS @ 160
 - B104 - 250 x 1160
2 - 25M TOP 1000
2 - 25M BOT
15M @ 300 HORIZ EF
10M DWLS @ 300 EF INTO B101 & B102
10M STIRRUPS @ 300
 - B105 - 250 x 570
2 - 15M TOP & BOT
10M STIRRUPS @ 200



FLOOR FRAMING PLAN - GALLERY 5 SOUTH STAIR
(T.O. SLAB EL. 230.970 UNLESS NOTED OTHERWISE)

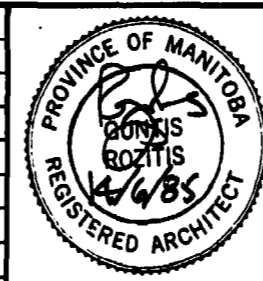


FOR SHOP DRAWING INFORMATION REFER TO THE SHOP DRAWING CROSS REFERENCE INDEX

- A DESIGNATION
- B ITEM ORIGIN
- C ITEM LOCATION

"TO OBTAIN PLANT DATUM SUBTRACT 221.764 METRES"

NO.	REVISIONS	DATE	APP.
A	REVISED TO AS CONSTRUCTED	11/17/85	[Signature]

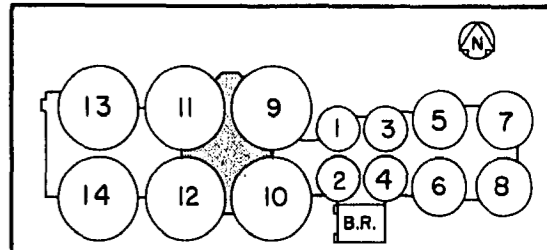


Underwood McLellan Ltd.
Consulting Engineers and Planners
GORE & STORRIE LIMITED
CONSULTING ENGINEERS

DESIGNED BY: B. BISWANGER
DRAWN BY: L.M.G.
CHECKED BY: D. ROGOWSKY
DATE: FEB./85
APPROVED BY: [Signature]
DATE: JUNE/85

THE CITY OF WINNIPEG
WORKS & OPERATIONS DIVISION
WATERWORKS, WASTE & DISPOSAL DEPARTMENT

AS CONSTRUCTED
APPROVED BY: [Signature]
DATE: 1985.02.26



KEY PLAN

NORTH END WATER POLLUTION CONTROL CENTRE
SLUDGE DIGESTION EXPANSION

DIGESTION GALLERY No. 5
STRUCTURAL - EL 230.020
EXIT FLOOR PLANS

RELEASED FOR CONSTRUCTION: [Signature]
DATE: 7/6/85
SCALE: AS SHOWN
DRAWING NO.: NEP-1211