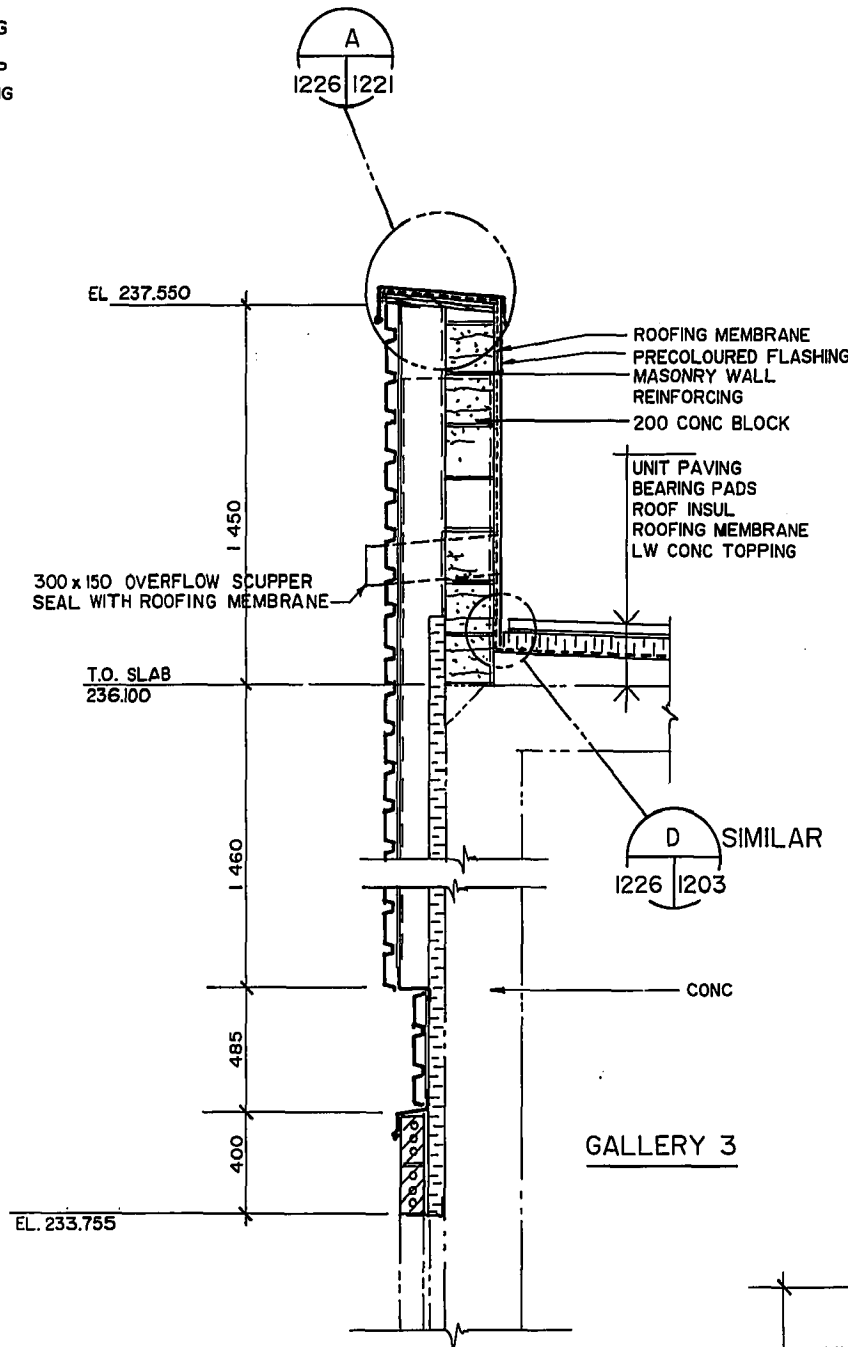
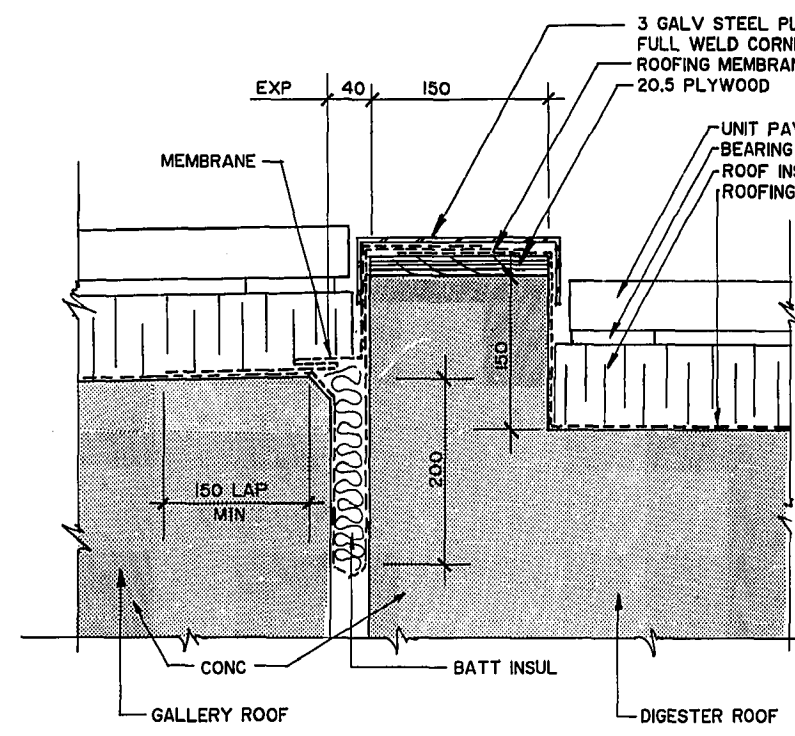


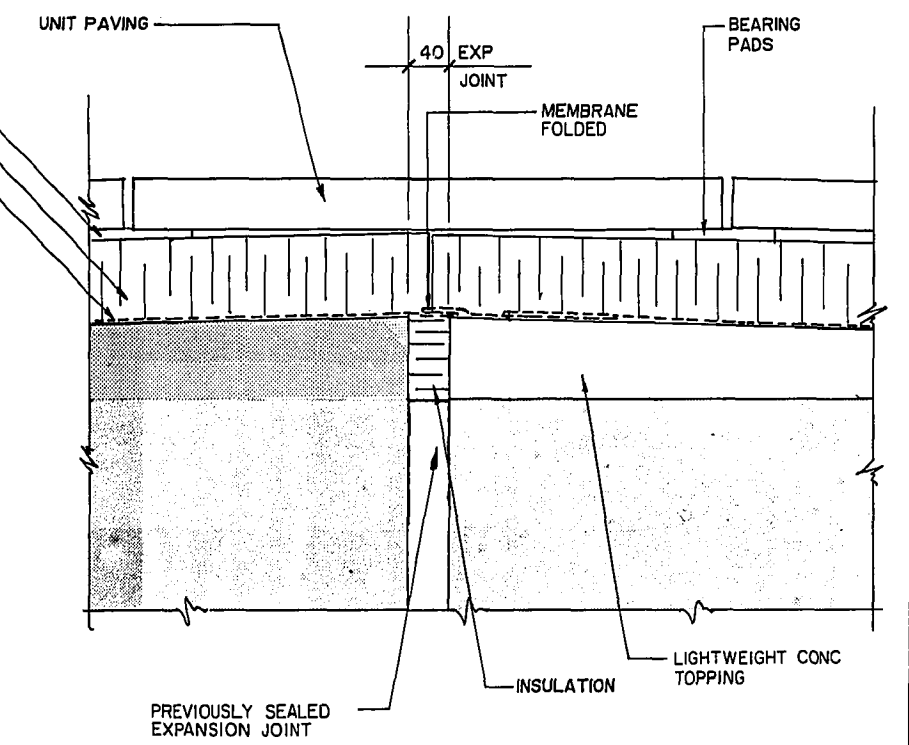
SECTION 1 1216 1225 1226



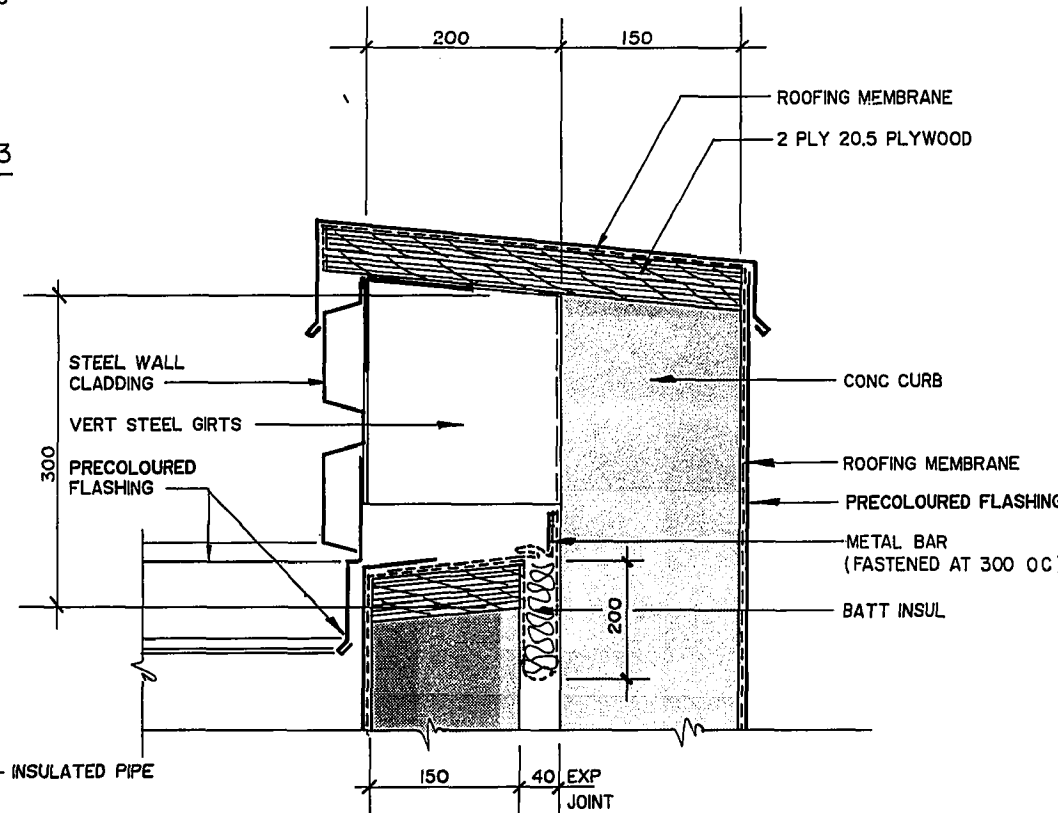
SECTION 2 1216 1225 1226



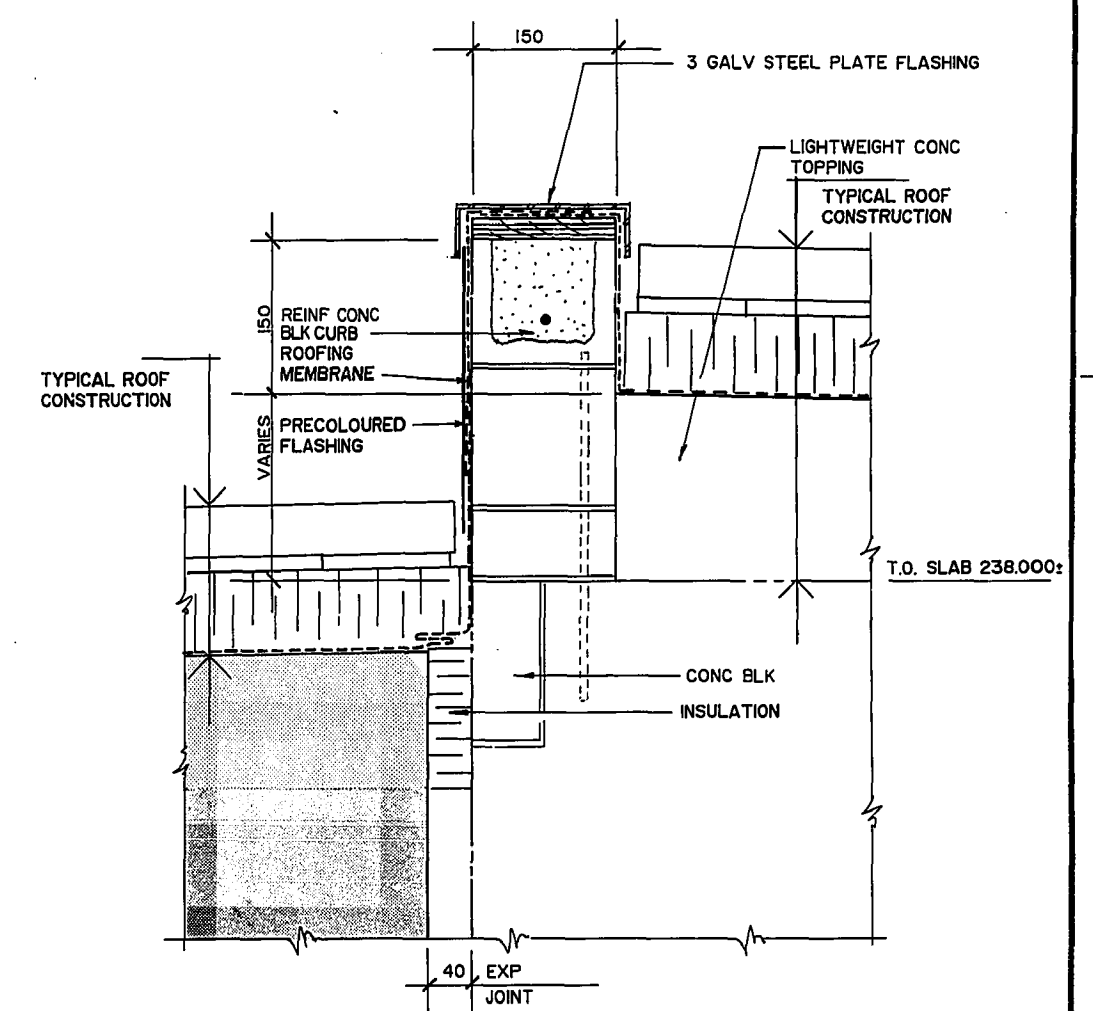
DETAIL 3 1203 1226 1224



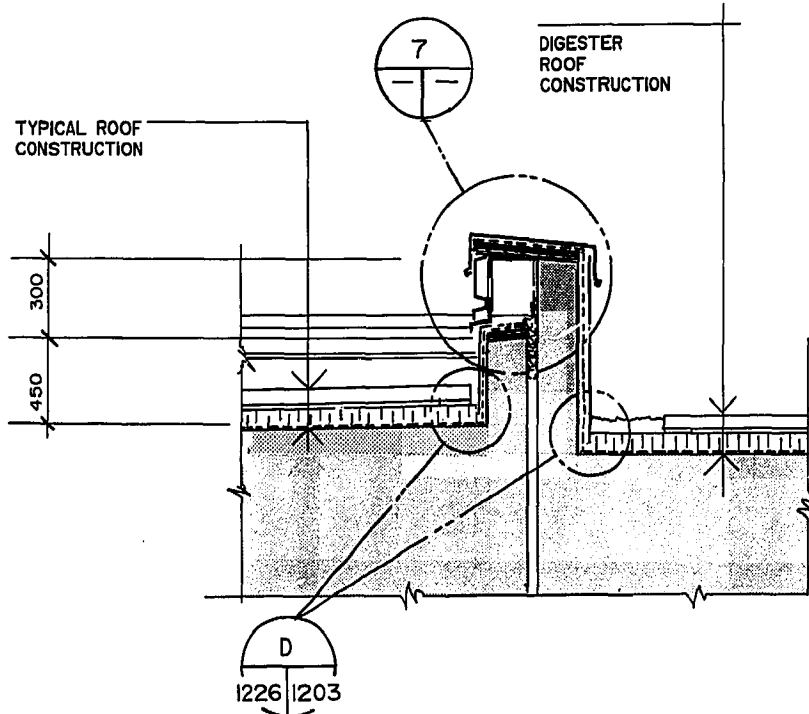
DETAIL 4 1224 1226



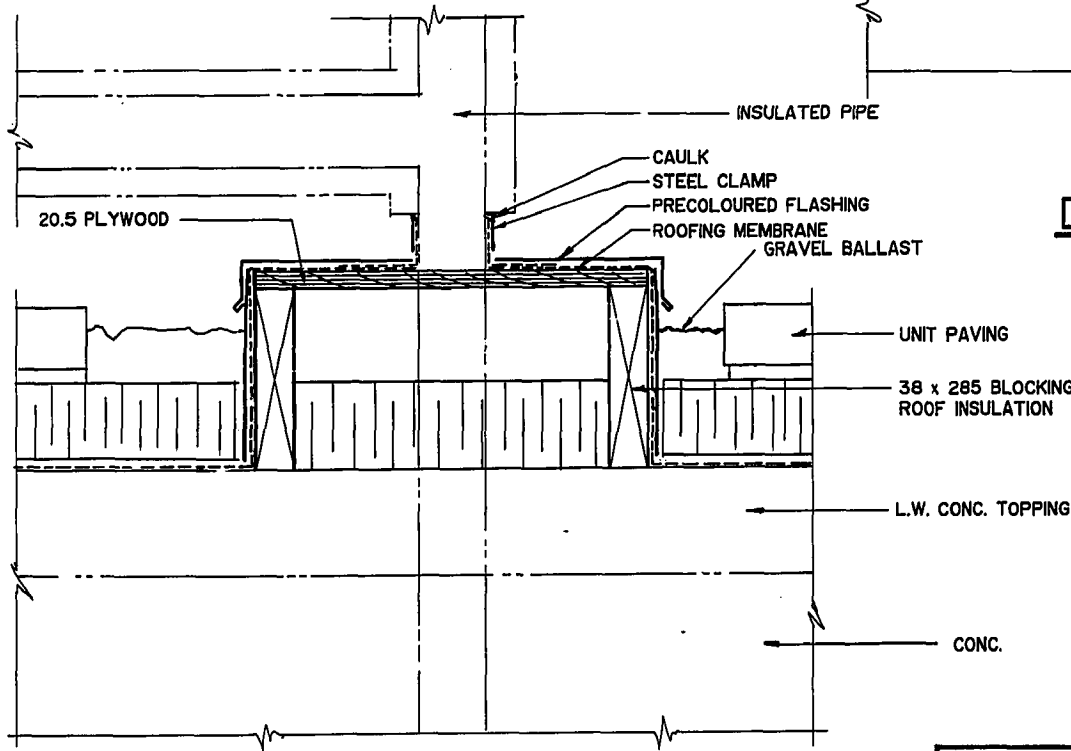
DETAIL 7



DETAIL 8 1224 1226

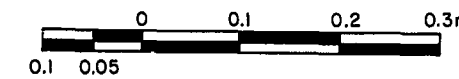
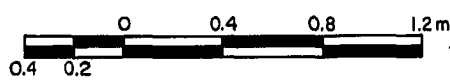


DETAIL 5 1224 1226



MIXING GUN FLASHING DETAIL 1224 1226

A	A DESIGNATION
B	B ITEM ORIGIN
C	C ITEM LOCATION

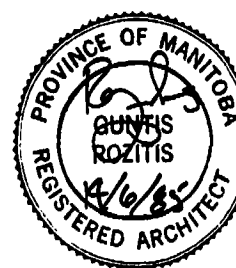


FOR SHOP DRAWING INFORMATION REFER TO THE SHOP DRAWING CROSS REFERENCE INDEX

AS CONSTRUCTED APPROVED BY DATE 1988-03-26

"TO OBTAIN PLANT DATUM SUBTRACT 221.764 METRES"

NO.	REVISIONS	DATE	APP.
A	REVISED TO AS CONSTRUCTED	2/1/88	[Signature]



Underwood McLellan Ltd.  
Consulting Engineers and Planners  
GORE & STORRIE LIMITED  
CONSULTING ENGINEERS

DESIGNED BY: G. ROZITIS  
DRAWN BY: J.R.C.

CHECKED BY: G. ROZITIS  
DATE: FEB./85

APPROVED BY: [Signature]  
DATE: JUNE/85

THE CITY OF WINNIPEG  
WORKS & OPERATIONS DIVISION  
WATERWORKS, WASTE & DISPOSAL DEPARTMENT

NORTH END WATER POLLUTION CONTROL CENTRE  
SLUDGE DIGESTION EXPANSION

WALL AND ROOF SECTIONS AND DETAILS

RELEASED FOR CONSTRUCTION: [Signature] DATE: 17/6/85

SCALE: AS SHOWN  
DRAWING NO.: NEP-1226