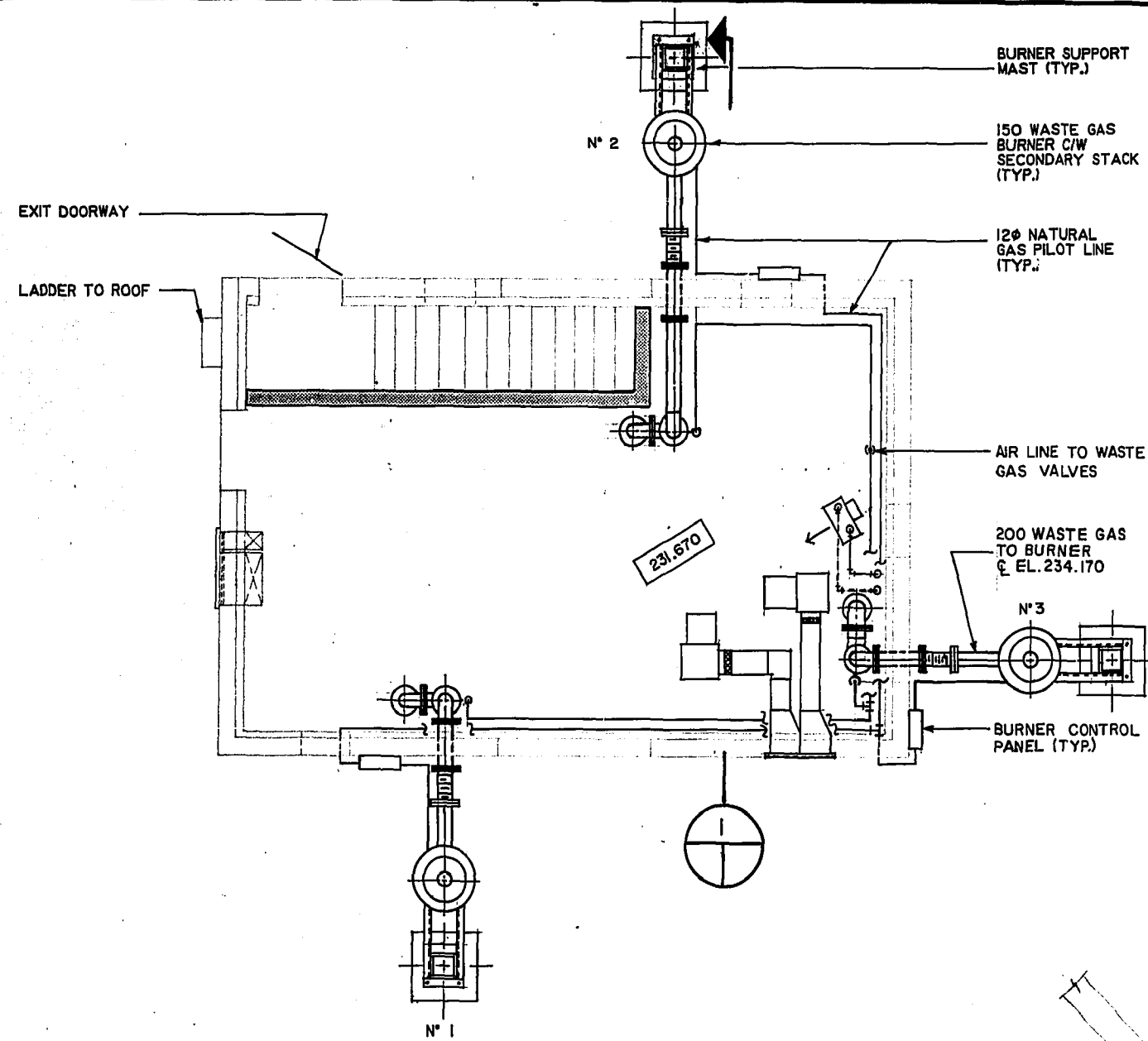
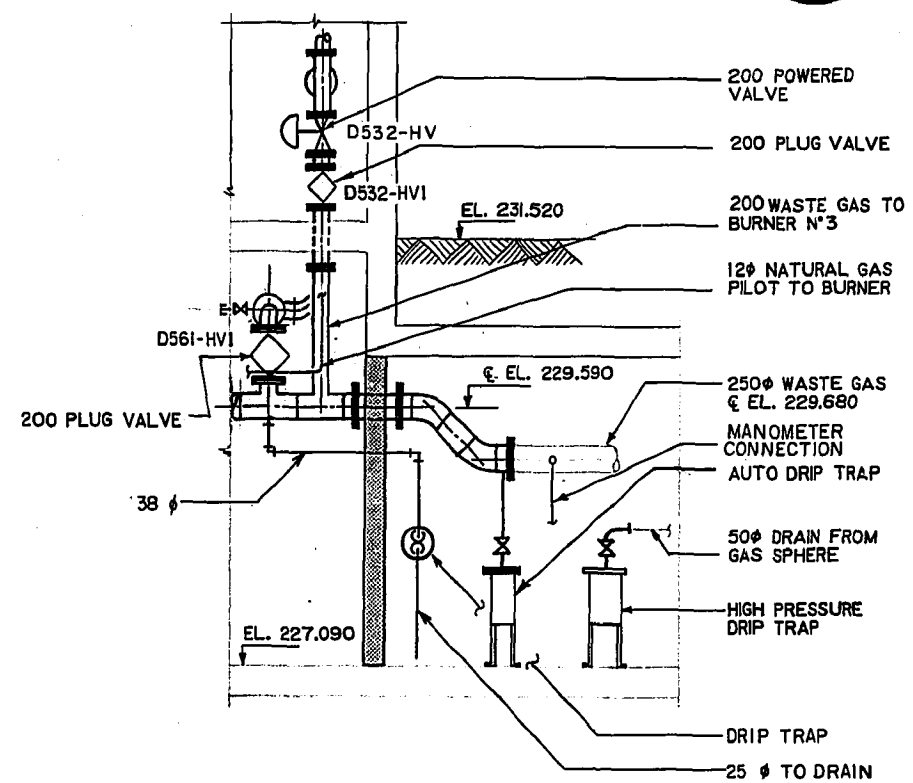


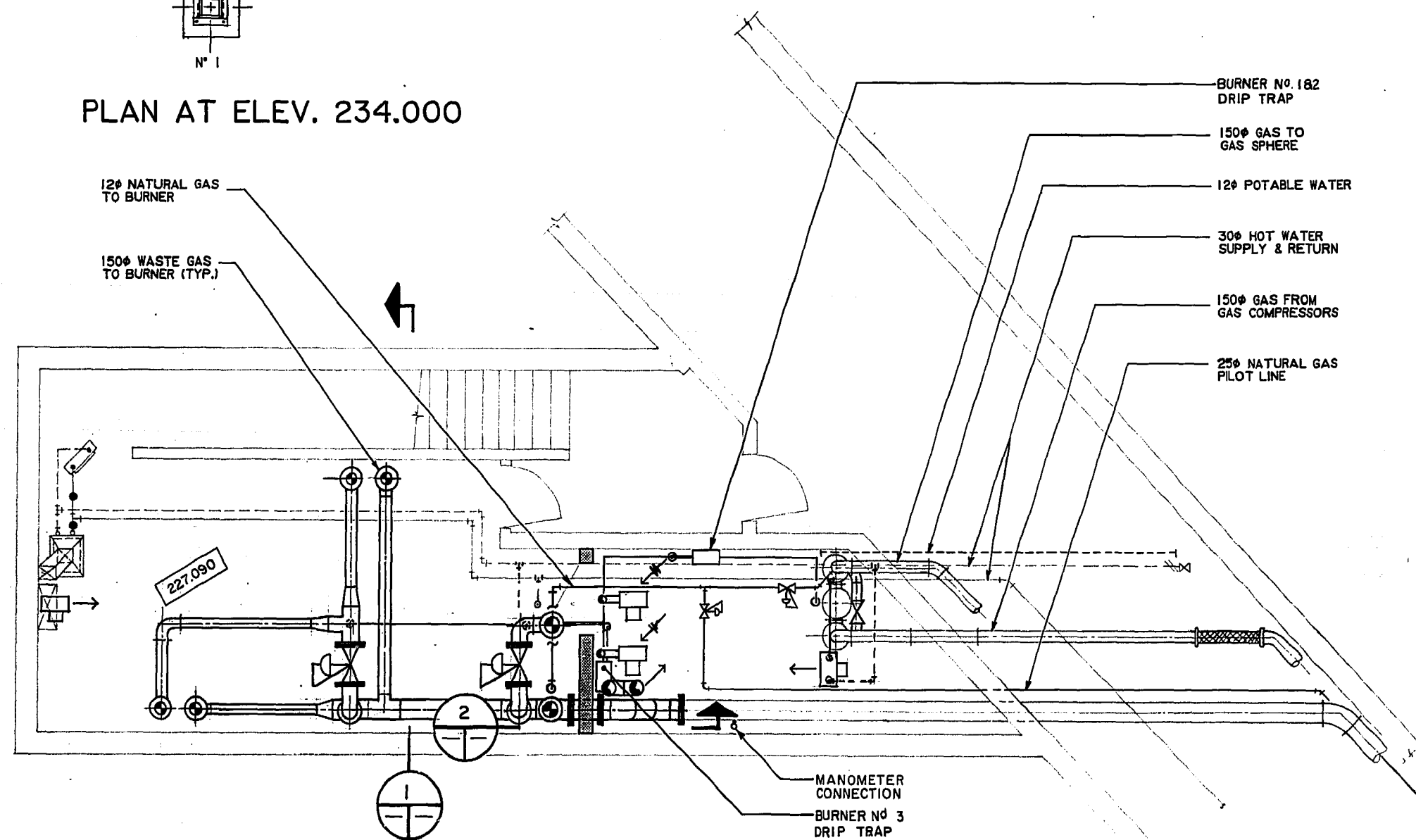
SECTION 1



PLAN AT ELEV. 234.000

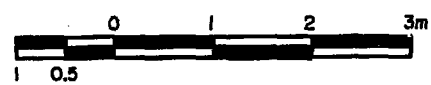


SECTION 2



PLAN AT ELEV. 231.000

A	DESIGNATION
B	ITEM ORIGIN
C	ITEM LOCATION



LEGEND

- EXISTING PIPING, VALVES, EQUIPMENT & STRUCTURE
- NEW PIPING, VALVES & EQUIPMENT
- NEW STRUCTURE

FOR SHOP DRAWING INFORMATION REFER TO THE SHOP DRAWING CROSS REFERENCE INDEX

NO.	REVISIONS	DATE	APP.
A	REVISED TO AS CONSTRUCTED	12/15/85	[Signature]

REGISTERED PROFESSIONAL ENGINEER
G. G. POWELL
PROVINCE OF ONTARIO
A.P.E.M. - 112-84(R)
EXP. DATE: 85-10-15

Underwood McLellan Ltd.
Consulting Engineers and Planners
GORE & STORRIE LIMITED
CONSULTING ENGINEERS

DESIGNED BY: J. CHENG
DRAWN BY: CL. S.N.
CHECKED BY: J. CHENG
DATE: JUNE / 85

APPROVED BY: [Signature]
DATE: JUNE / 85

THE CITY OF WINNIPEG
WORKS & OPERATIONS DIVISION
WATERWORKS, WASTE & DISPOSAL DEPARTMENT

"TO OBTAIN PLANT DATUM SUBTRACT 221.764 METRES"

NORTH END WATER POLLUTION CONTROL CENTRE
SLUDGE DIGESTION EXPANSION

WASTE GAS BURNER BUILDING
PROCESS ALTERATIONS

RELEASED FOR CONSTRUCTION: [Signature]
DATE: 17/6/85

SCALE: AS NOTED
DRAWING NO: NEP-1276

AS CONSTRUCTED
APPROVED BY: [Signature]
DATE: 1988-03-28