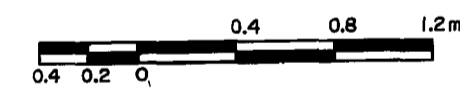
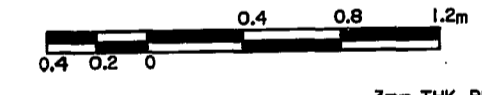


SECTION A
DIGESTERS N° 13 & 14

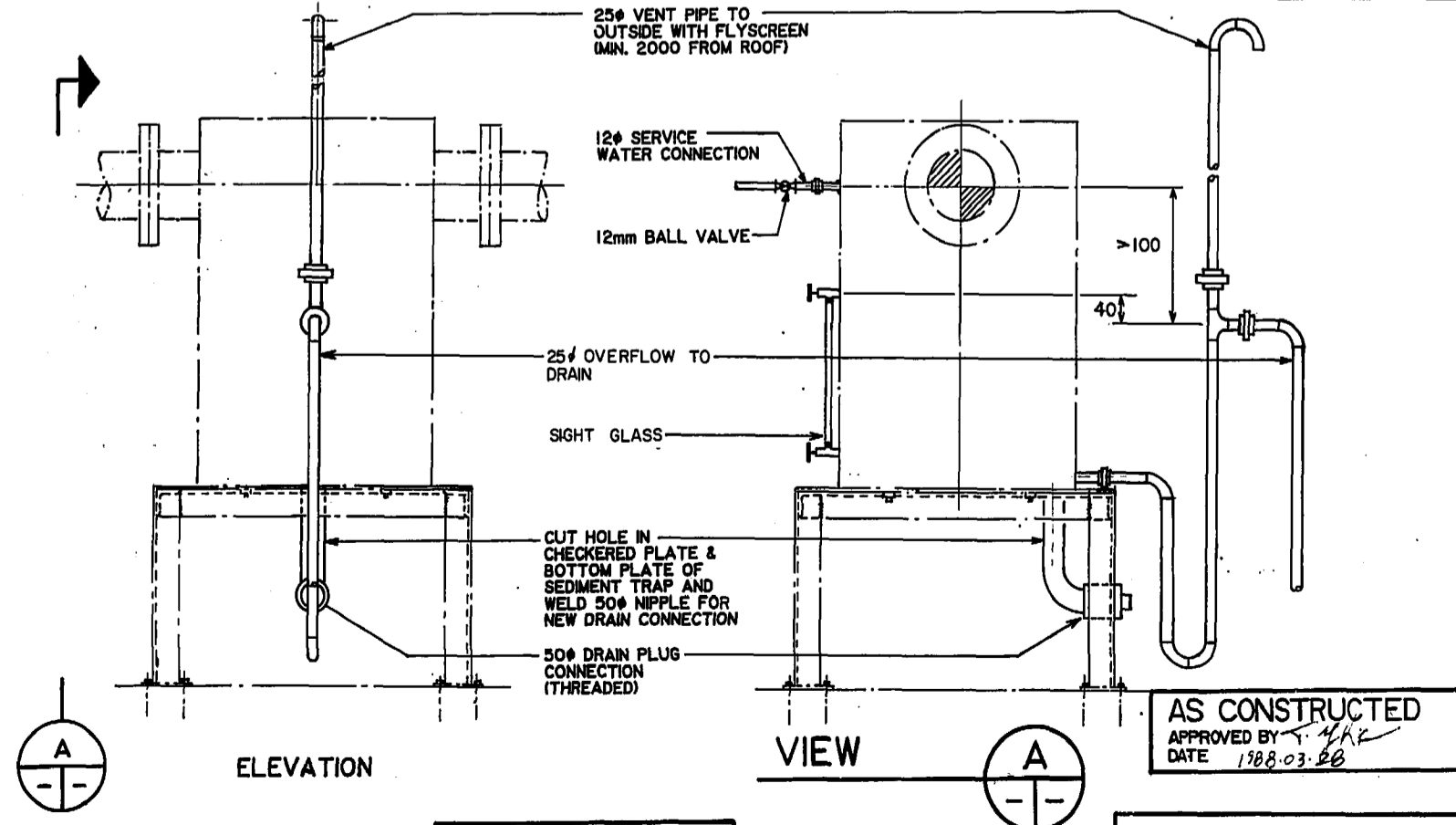
A DESIGNATION
B ITEM ORIGIN
C ITEM LOCATION



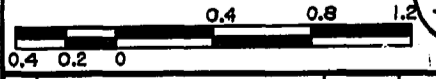
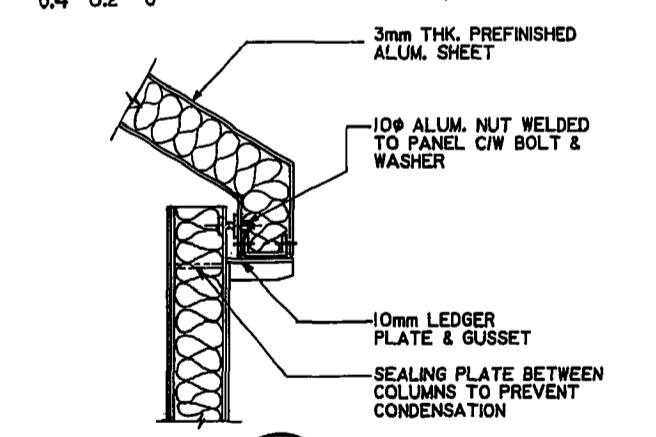
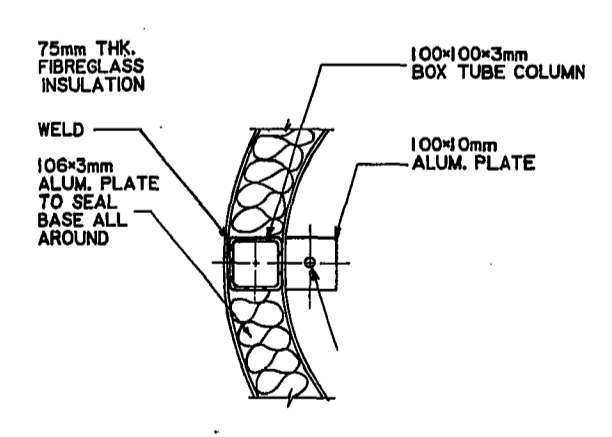
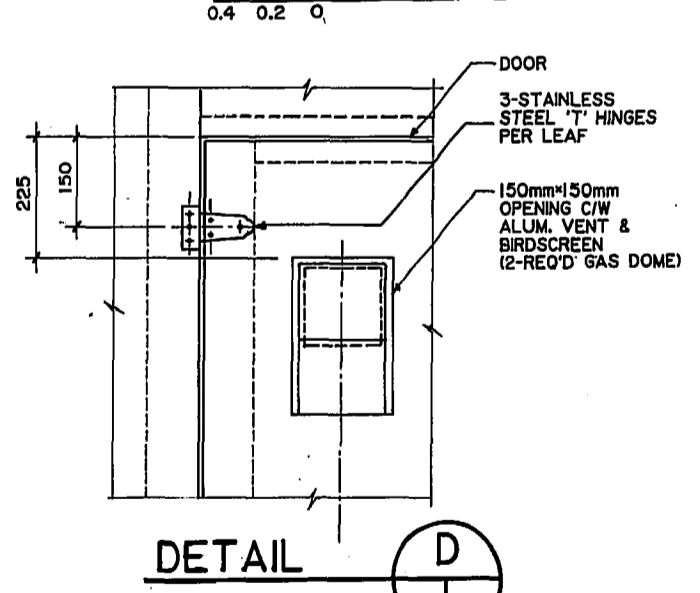
SECTION B
TANKS N° 5-8



SECTION C
DIGESTERS N° 9-12



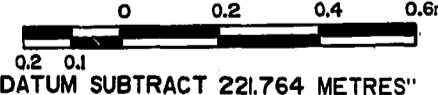
FOR SHOP DRAWING INFORMATION REFER TO THE SHOP DRAWING CROSS REFERENCE INDEX



DETAIL D



DETAIL E



DETAIL F

GAS DOME DETAIL

| NO. | REVISIONS | DATE | APP. |
|-----|---------------------------|----------|-------------|
| A | REVISED TO AS CONSTRUCTED | 12/18/88 | [Signature] |

REGISTERED PROFESSIONAL ENGINEER
G. G. POWELL
PROVINCE OF ONTARIO

A.P.E.M. - 112-84(R)
EXR DATE: 85-10-15

ENGINEER'S SEAL

Underwood McLellan Ltd.
Consulting Engineers and Planners
GORE & STORRIE LIMITED
CONSULTING ENGINEERS

DESIGNED BY: J. CHENG
DRAWN BY: S.N.

CHECKED BY: J. CHENG
DATE: JUNE / 85

APPROVED BY: [Signature]
DATE: JUNE / 85

THE CITY OF WINNIPEG
WORKS & OPERATIONS DIVISION
WATERWORKS, WASTE & DISPOSAL DEPARTMENT

NORTH END WATER POLLUTION CONTROL CENTRE
SLUDGE DIGESTION EXPANSION

MISCELLANEOUS DETAILS (1)

RELEASED FOR CONSTRUCTION: DATE: 17/6/85

SCALE: AS NOTED
DRAWING NO.: NEP-1282