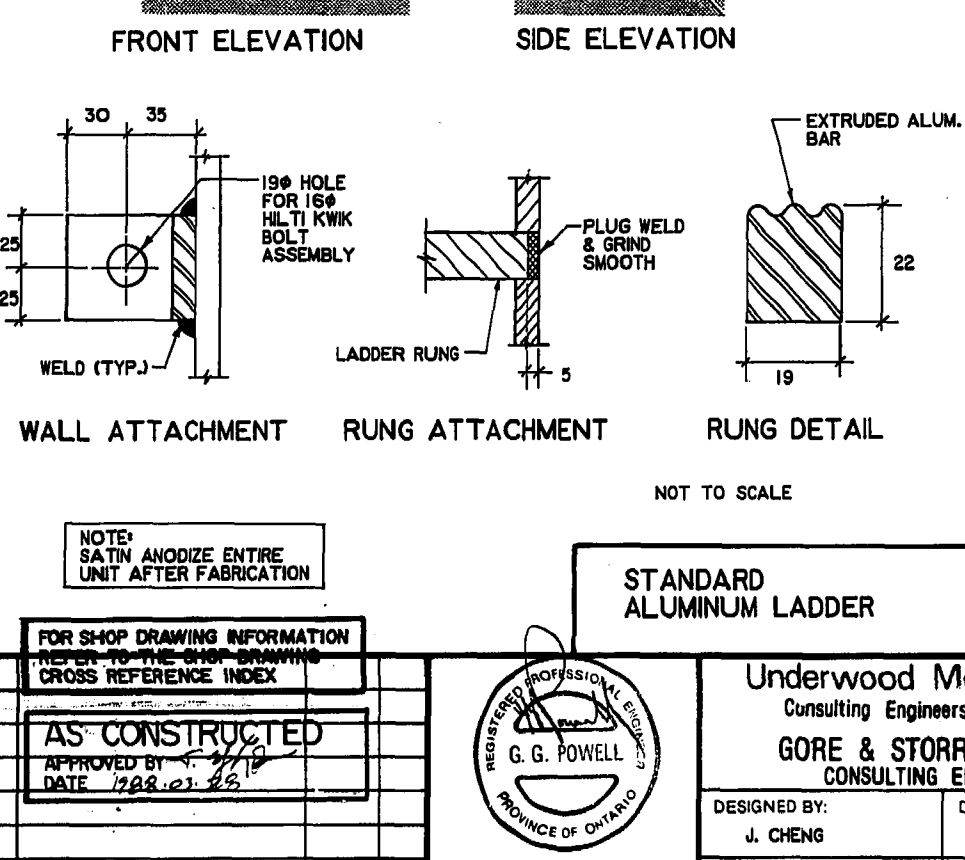
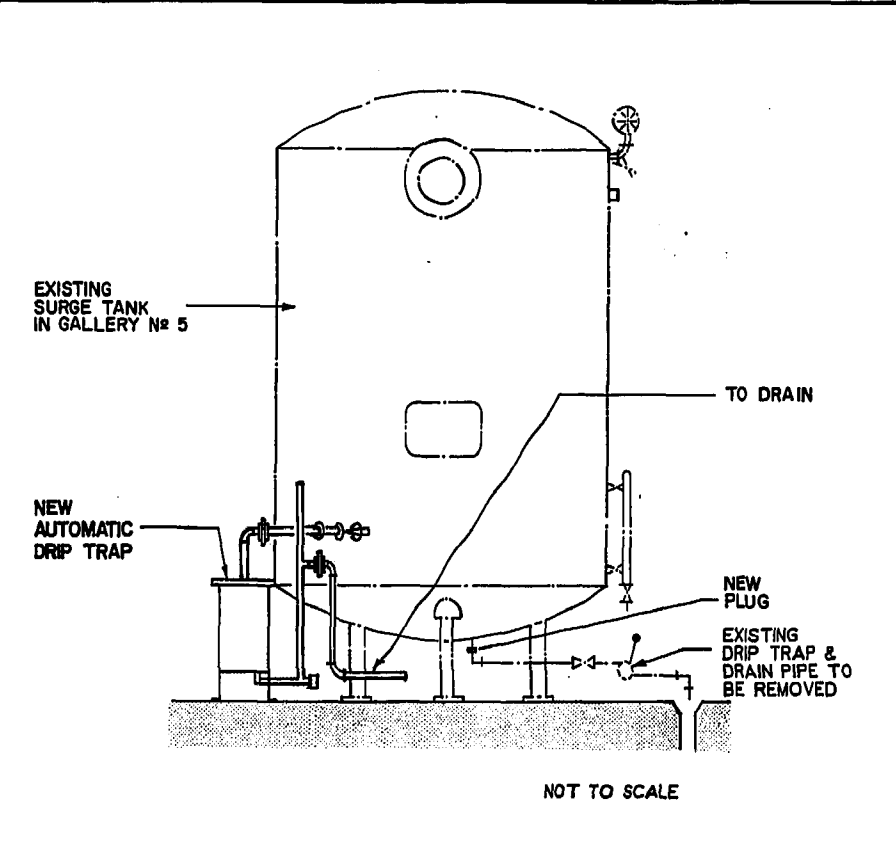
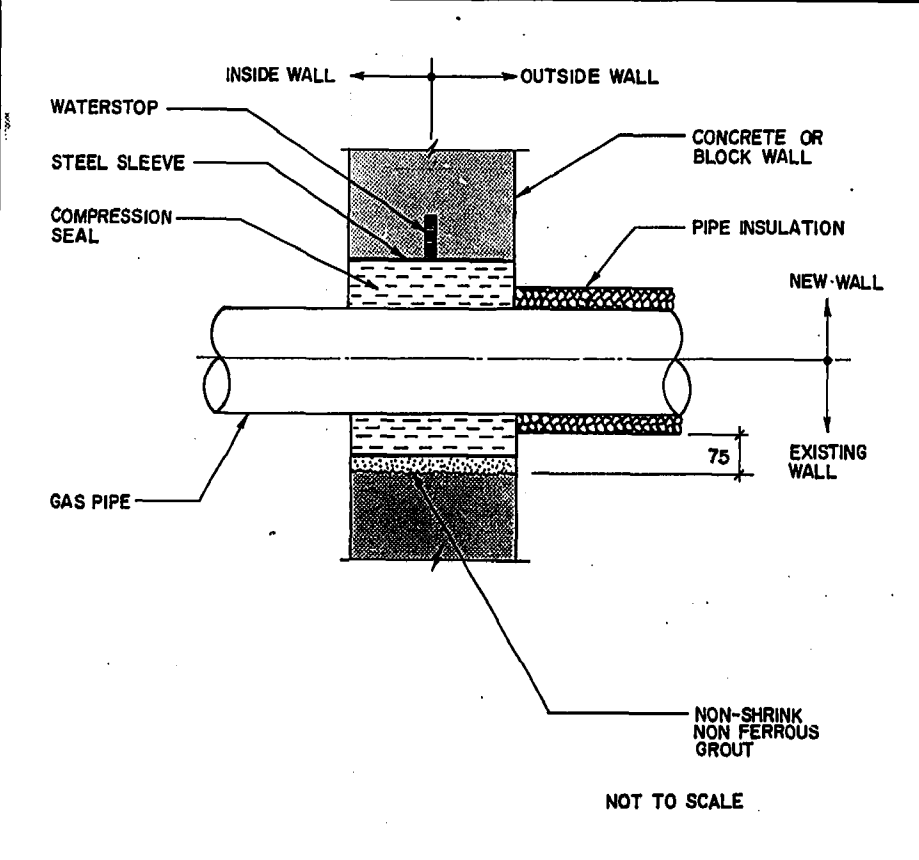
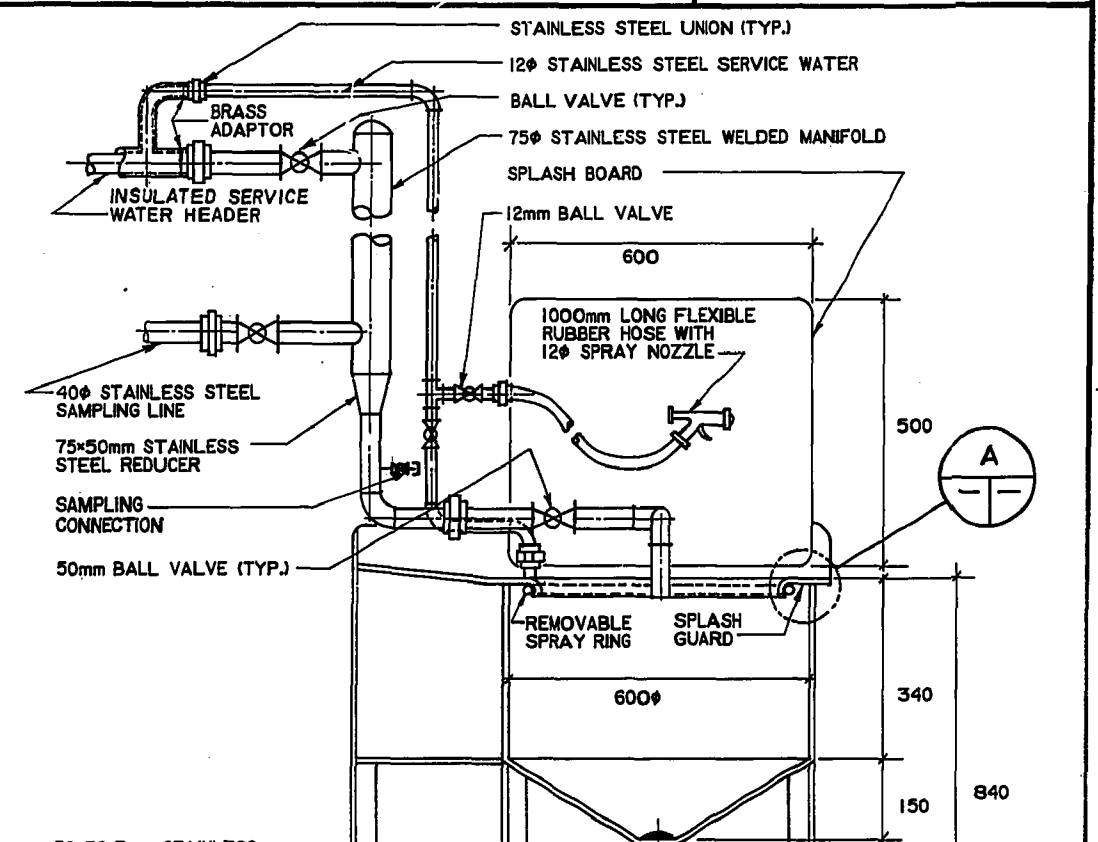
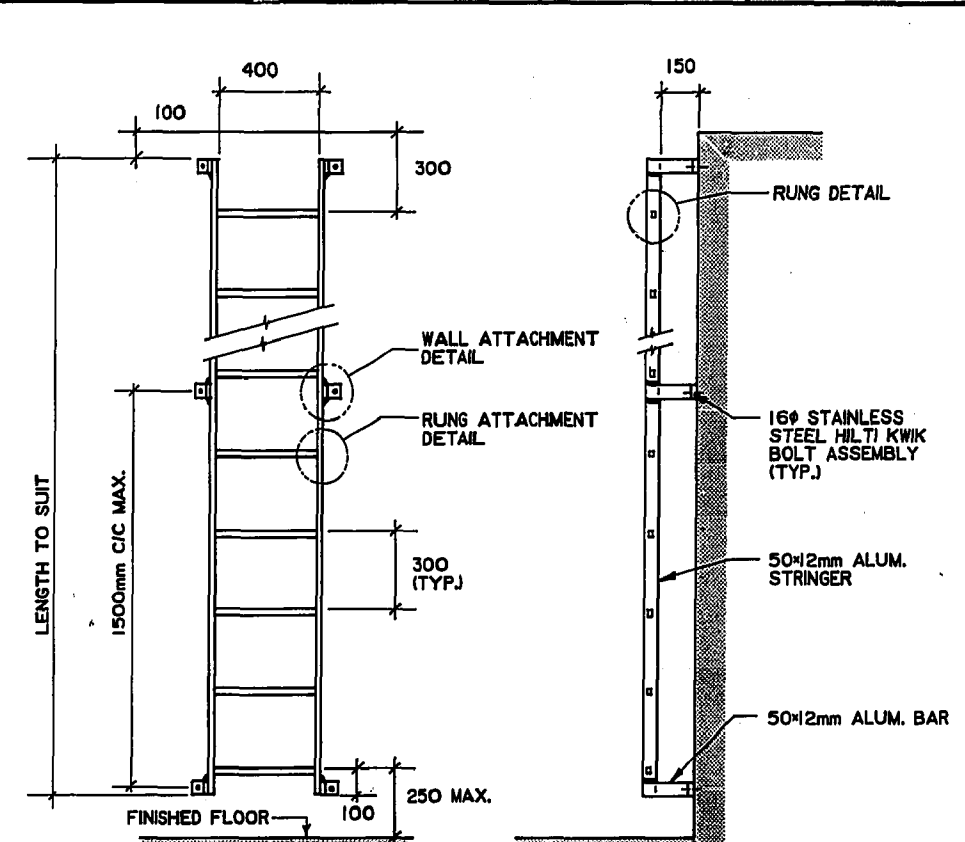
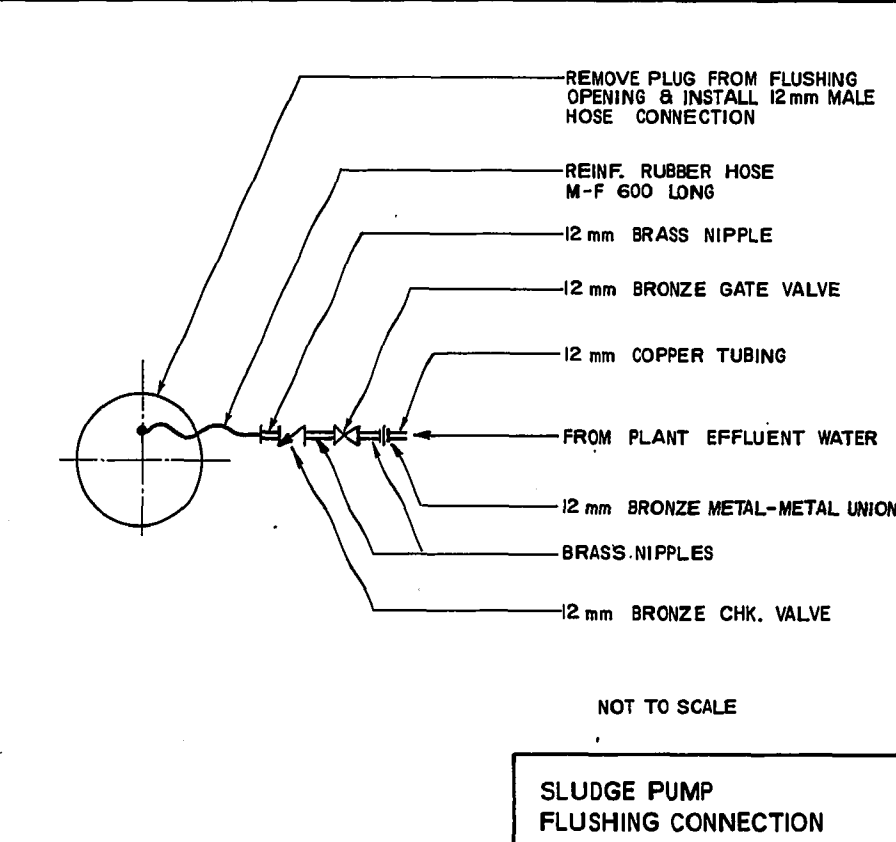
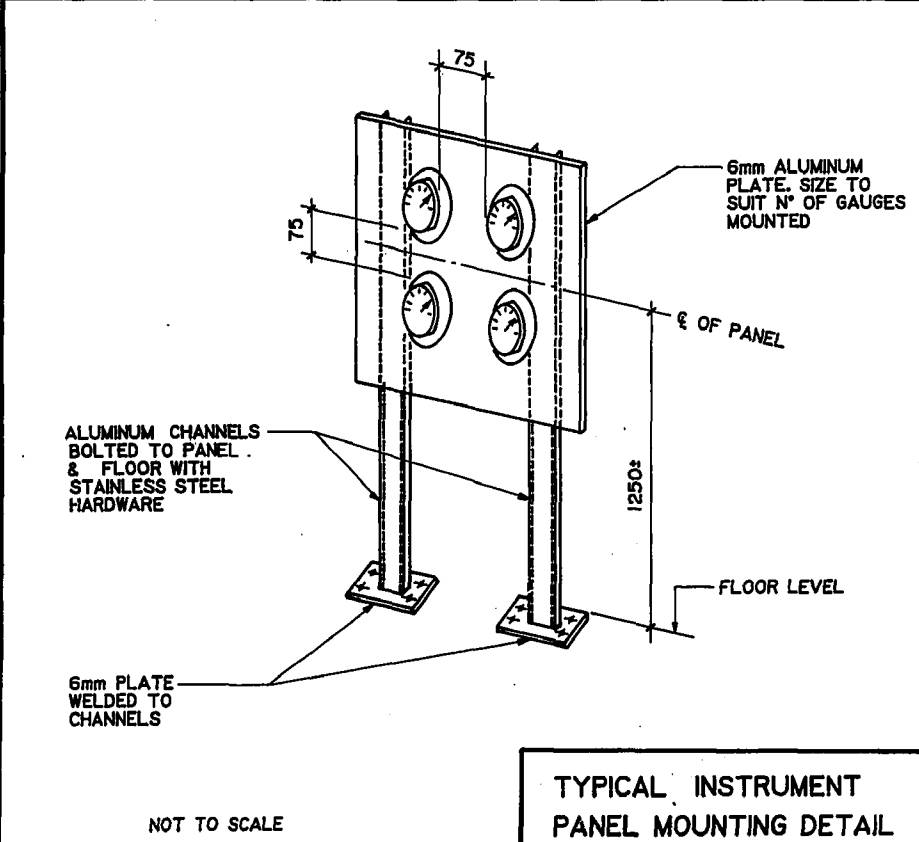
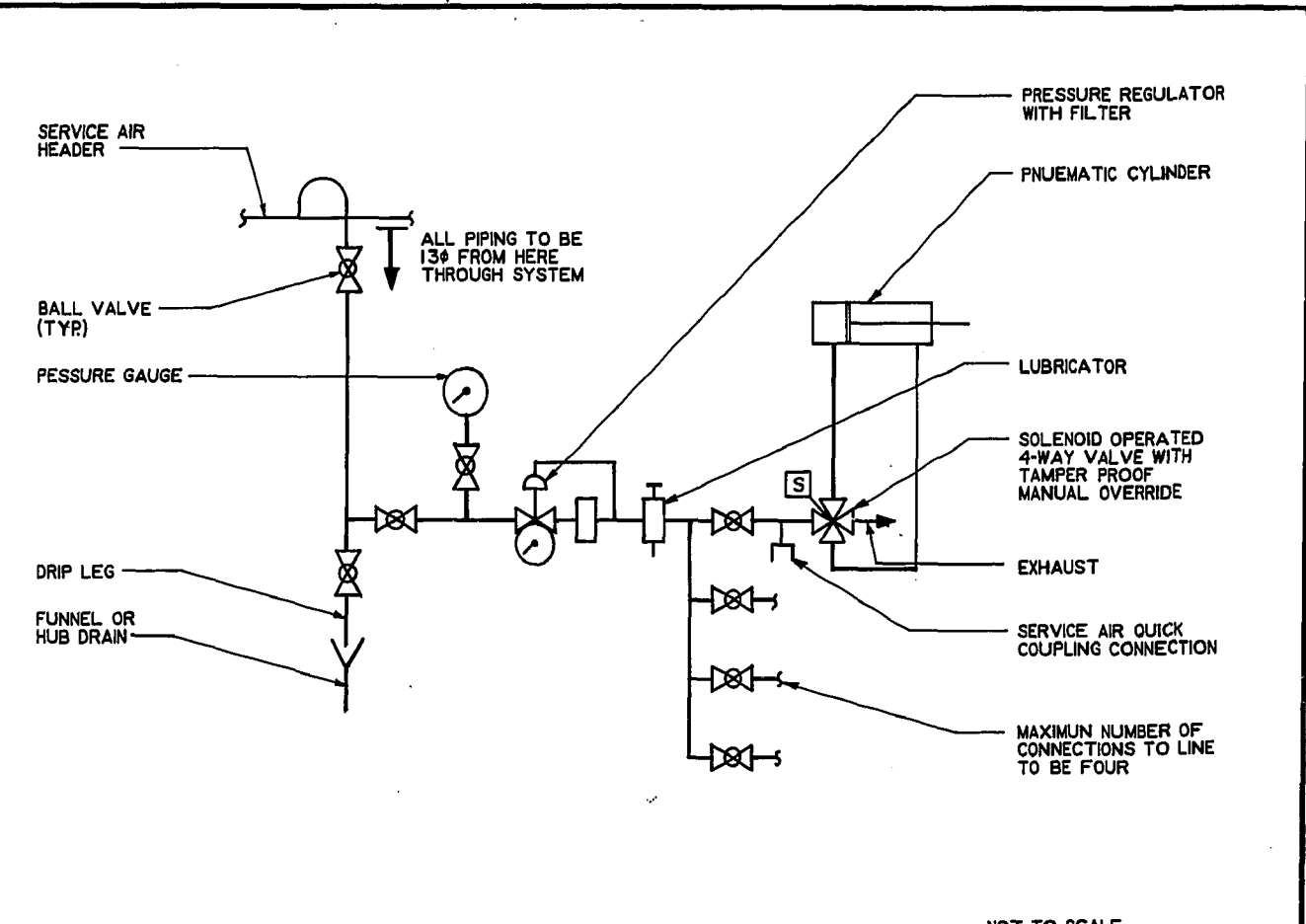
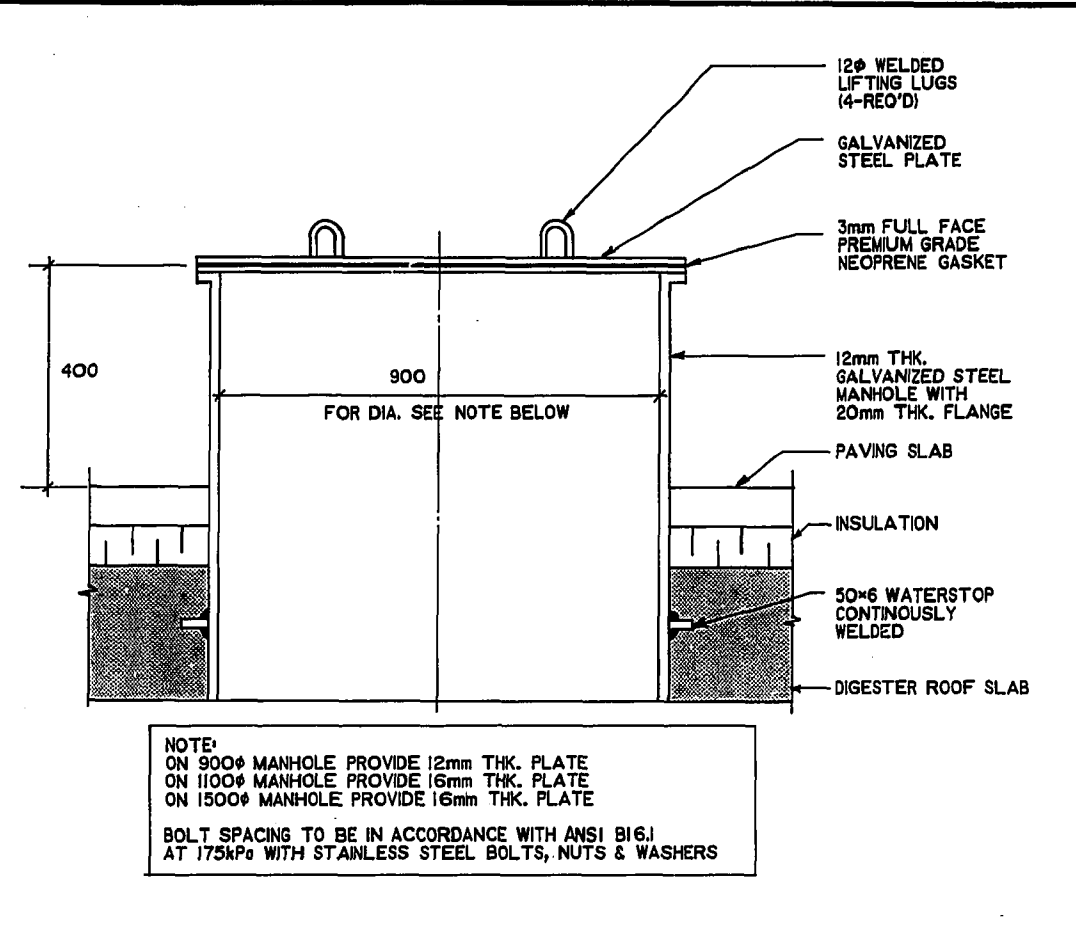


NOTES:

- POLISH TO MIN. RMS 10 FINISH
- HYDROSTATIC TEST TO 20,700 kPa AT AMBIENT TEMP.
- CONCENTRICITY ± 10% OF NOM WALL THICKNESS
- ALL THERMOCOUPLE THERMOWELLS SHALL HAVE GROUNDING CONNECTION IF REQ'D

INSTRUMENT FABRICATION DET. SCREWED THERMOWELL-FOR BI-METALLIC THERMOMETERS

NOT TO SCALE



Underwood McLellan Ltd.  
Consulting Engineers and Planners

GORE & STORRIE LIMITED  
CONSULTING ENGINEERS

DESIGNED BY: J. CHENG

CHECKED BY: J. CHENG

APPROVED BY: [Signature]

DATE: JUNE / 85

DATE: JUNE / 85

THE CITY OF WINNIPEG

WORKS & OPERATIONS DIVISION

WATERWORKS, WASTE & DISPOSAL DEPARTMENT

NORTH END WATER POLLUTION CONTROL CENTRE SLUDGE DIGESTION EXPANSION

MISCELLANEOUS DETAILS (2)

RELEASED FOR CONSTRUCTION: [Signature]

DATE: 12/16/85

SCALE: AS NOTED

DRAWING NO.: NEP-1283