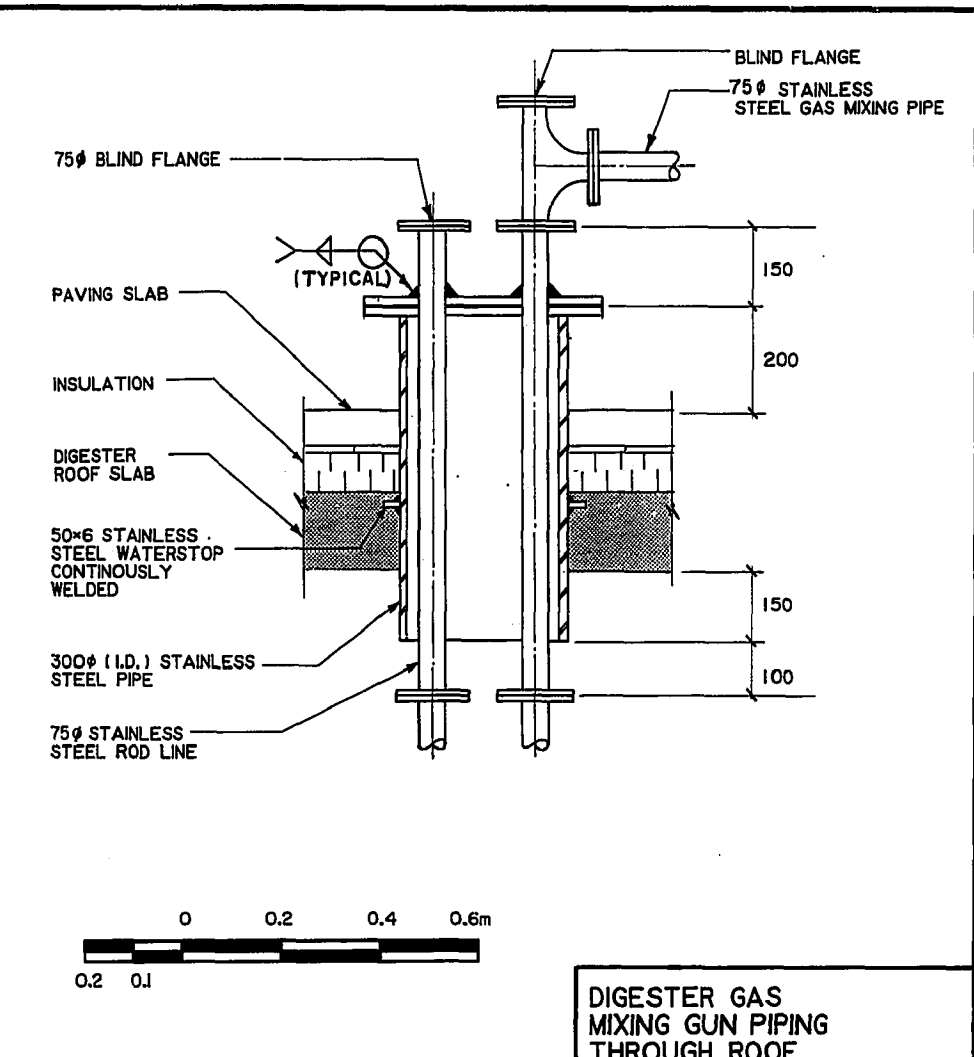
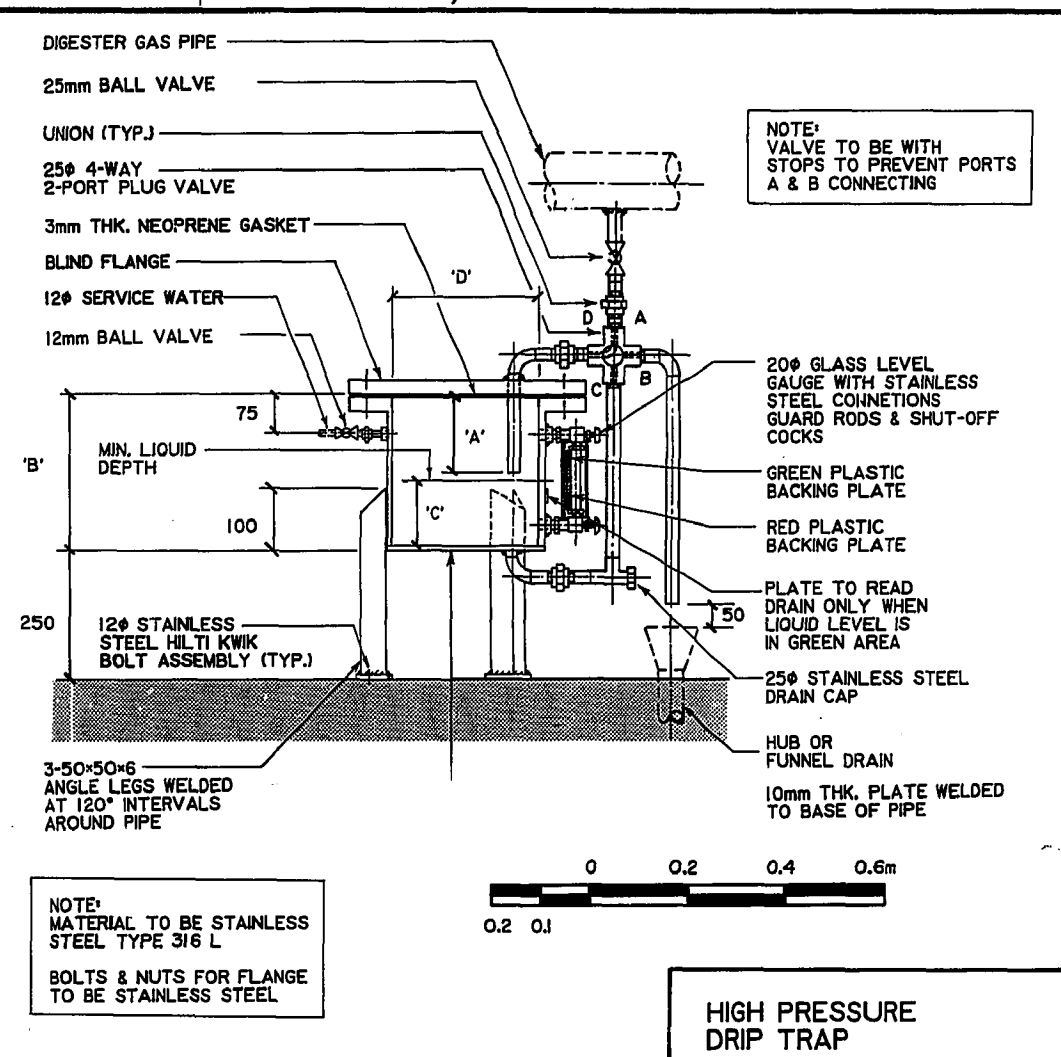


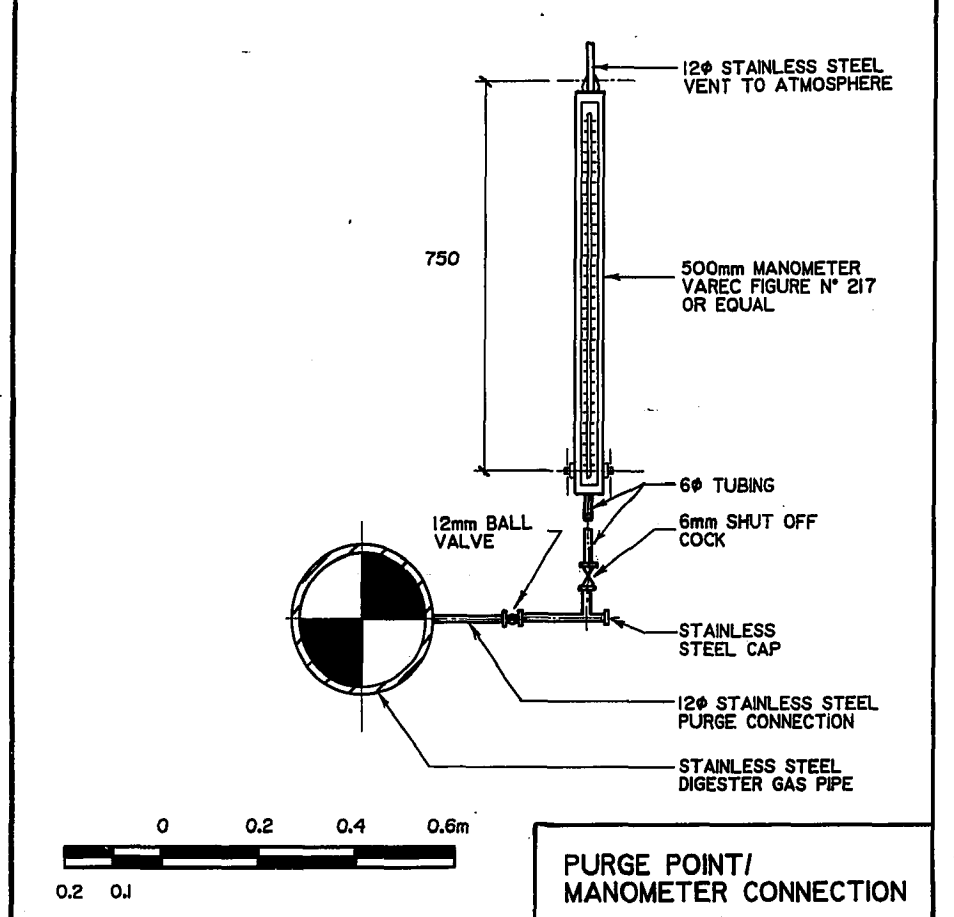
TIMBER SUPPORT FOR GAS PIPING ON ROOF



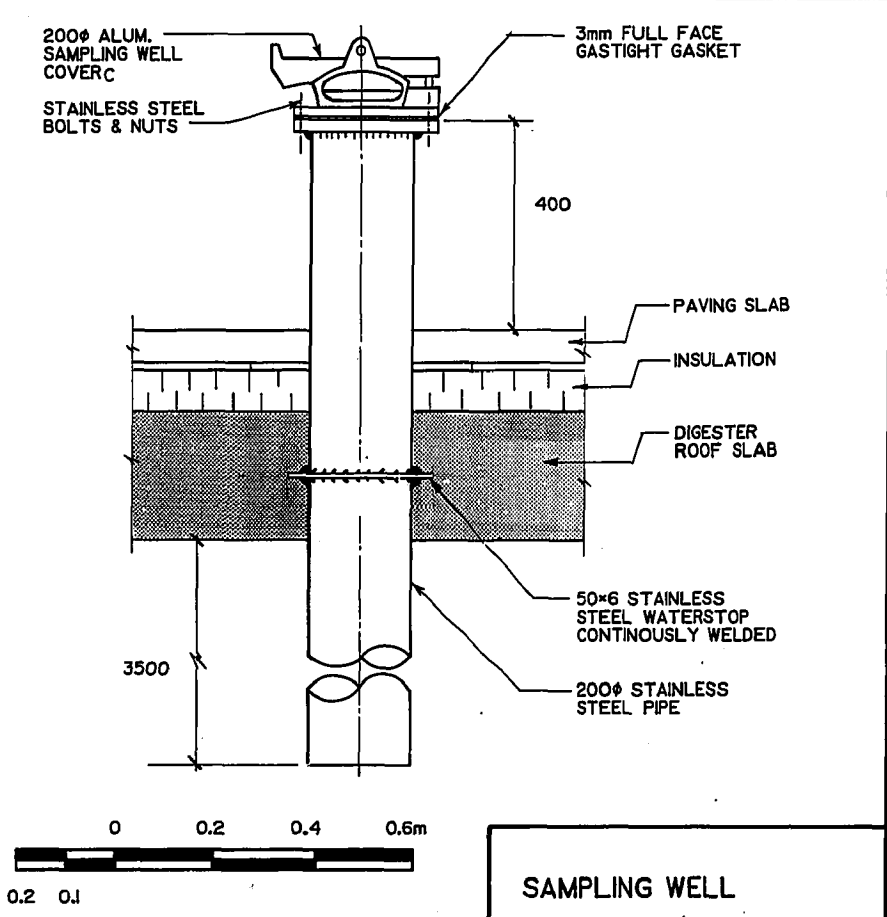
DIGESTER GAS MIXING GUN PIPING THROUGH ROOF



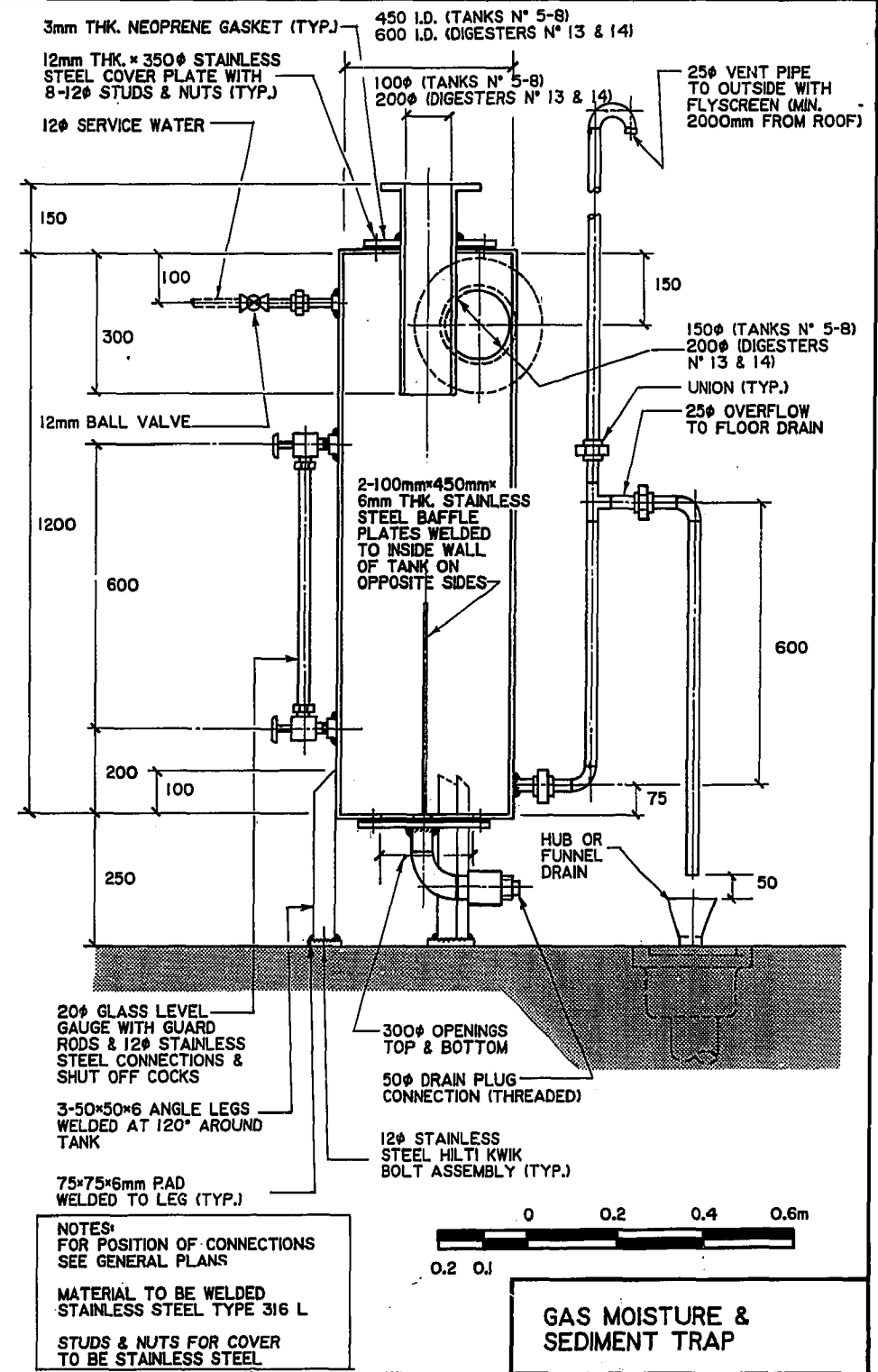
HIGH PRESSURE DRIP TRAP



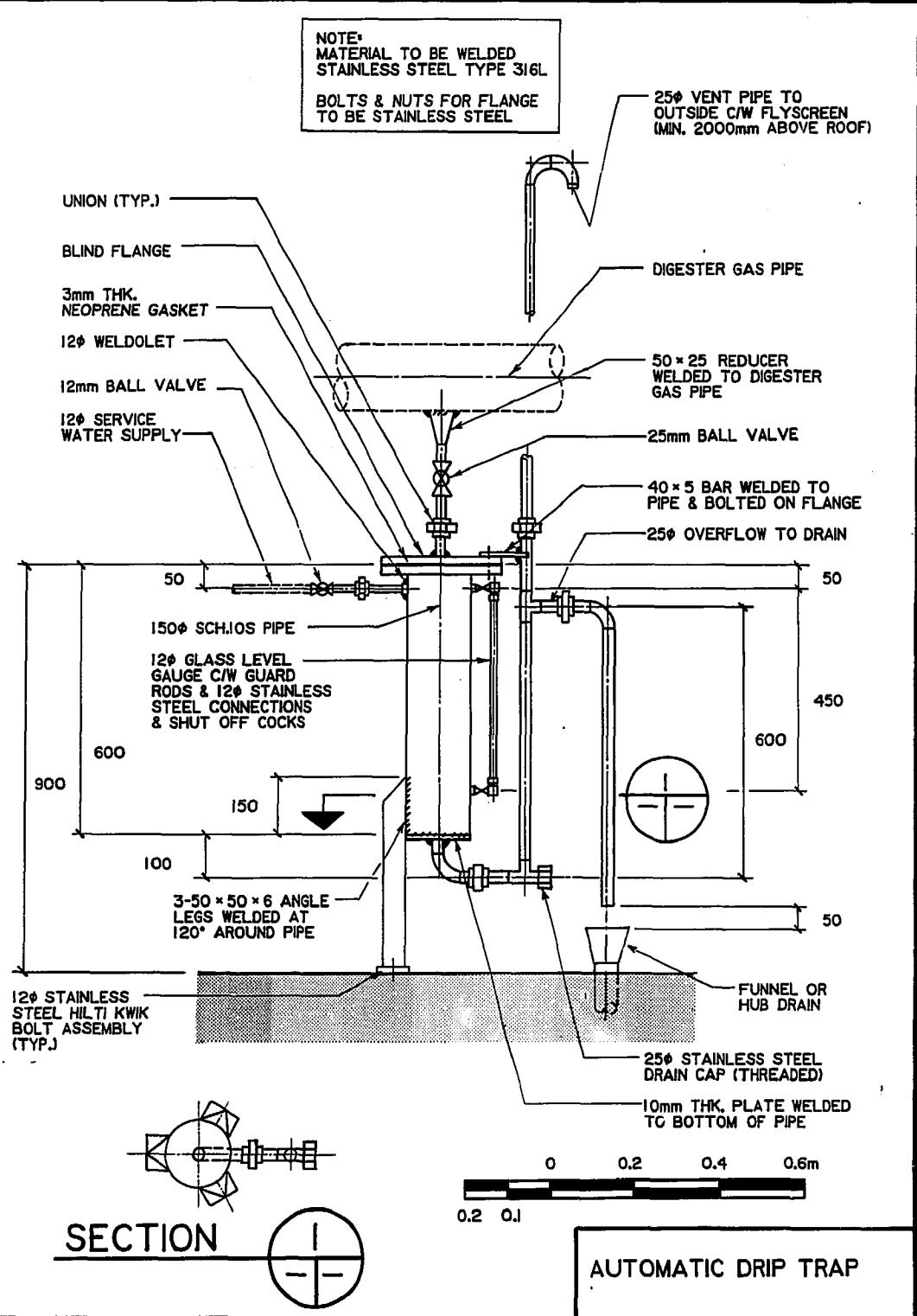
PURGE POINT/MANOMETER CONNECTION



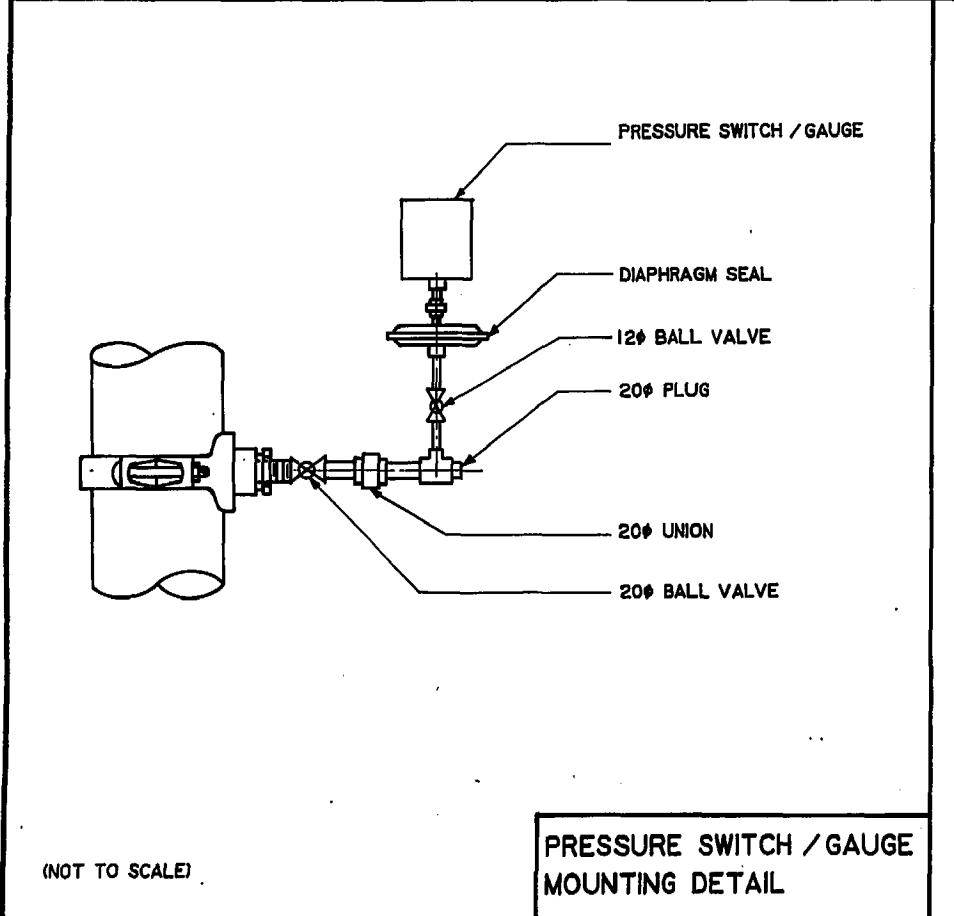
SAMPLING WELL



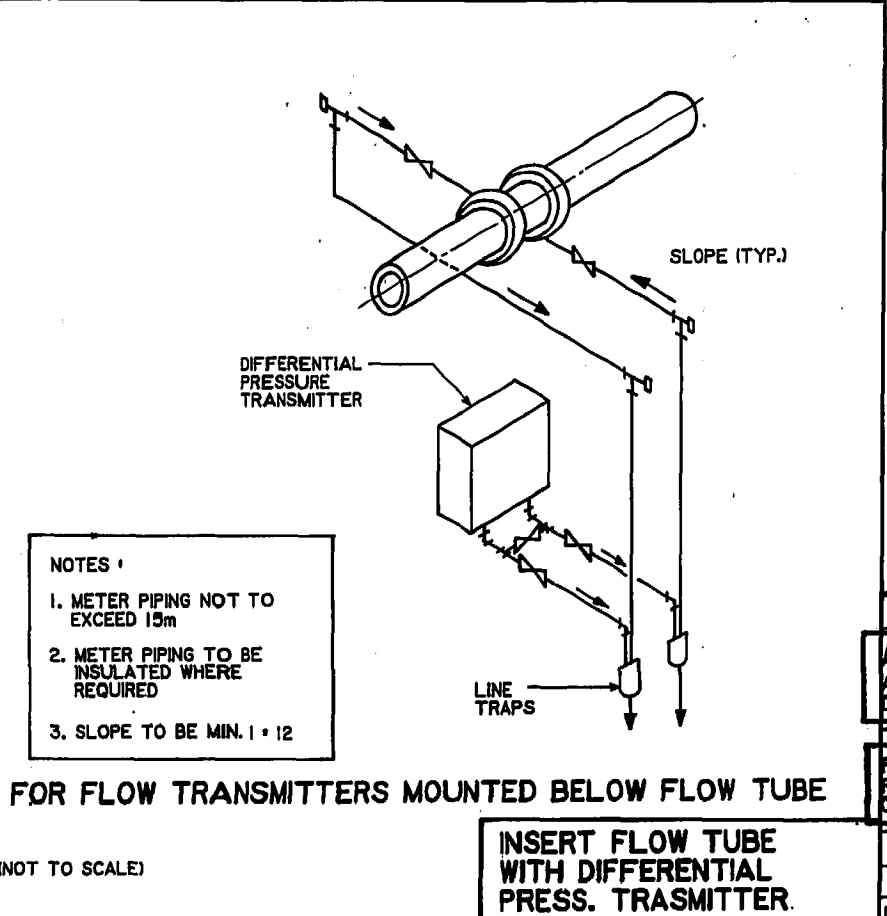
GAS MOISTURE & SEDIMENT TRAP



AUTOMATIC DRIP TRAP



PRESSURE SWITCH/GAUGE MOUNTING DETAIL

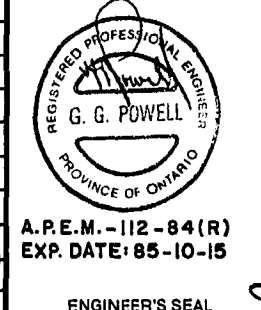


INSERT FLOW TUBE WITH DIFFERENTIAL PRESS. TRANSMITTER.

- NOTES:
- METER PIPING NOT TO EXCEED 15m
 - METER PIPING TO BE INSULATED WHERE REQUIRED
 - SLOPE TO BE MIN. 1:12

FOR FLOW TRANSMITTERS MOUNTED BELOW FLOW TUBE

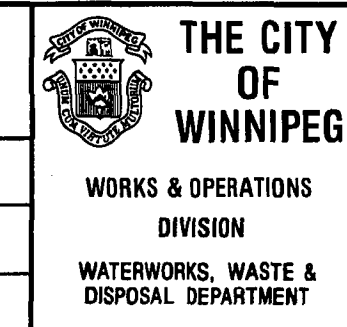
AS CONSTRUCTED			
APPROVED BY:	DATE: 1988.07.28		
FOR SHOP DRAWING INFORMATION REFER TO THE SHOP DRAWING CROSS REFERENCE INDEX			
A	REVISED TO AS CONSTRUCTED	17/12/86	
NO.	REVISIONS	DATE	APP.



Underwood McLellan Ltd.
Consulting Engineers and Planners
GORE & STORRIE LIMITED
CONSULTING ENGINEERS

DESIGNED BY: M. MISTRY
CHECKED BY: J. CHENG
APPROVED BY: [Signature]

DRAWN BY: S.N.
DATE: JUNE / 85
DATE: JUNE / 85



NORTH END WATER POLLUTION CONTROL CENTRE
SLUDGE DIGESTION EXPANSION

MISCELLANEOUS DETAILS (3)

RELEASED FOR CONSTRUCTION: DATE: 17/6/85
SCALE: AS NOTED
DRAWING NO: NEP-1284