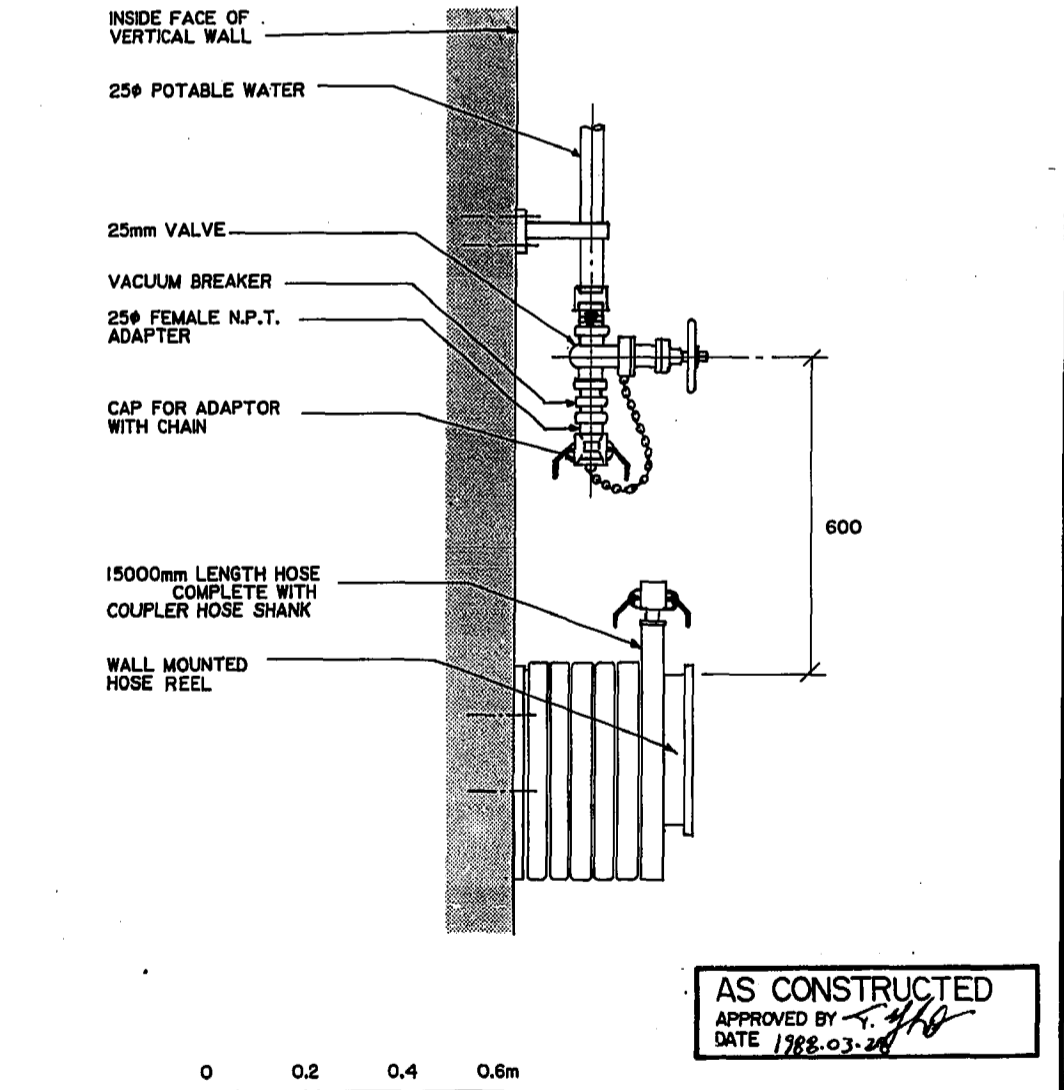
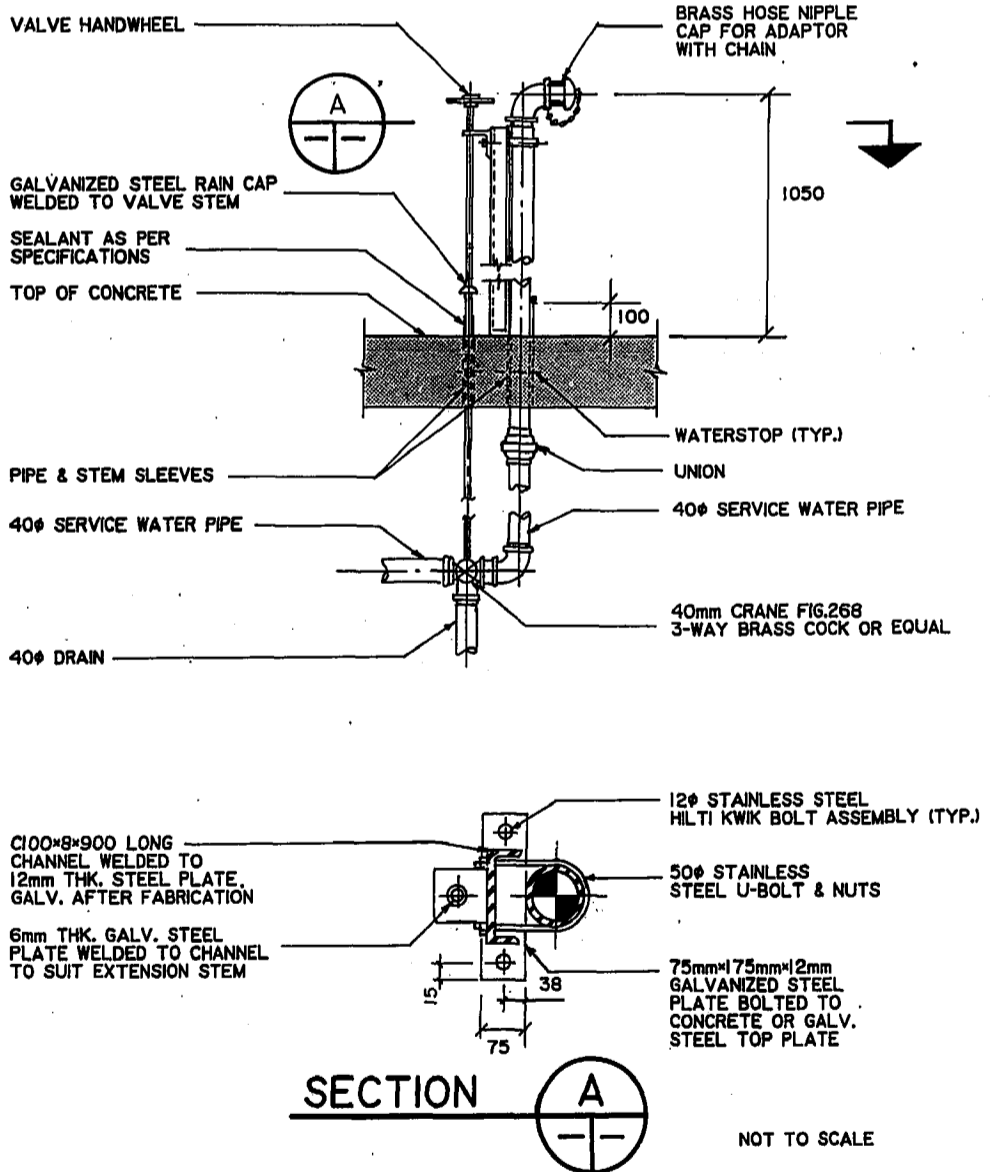
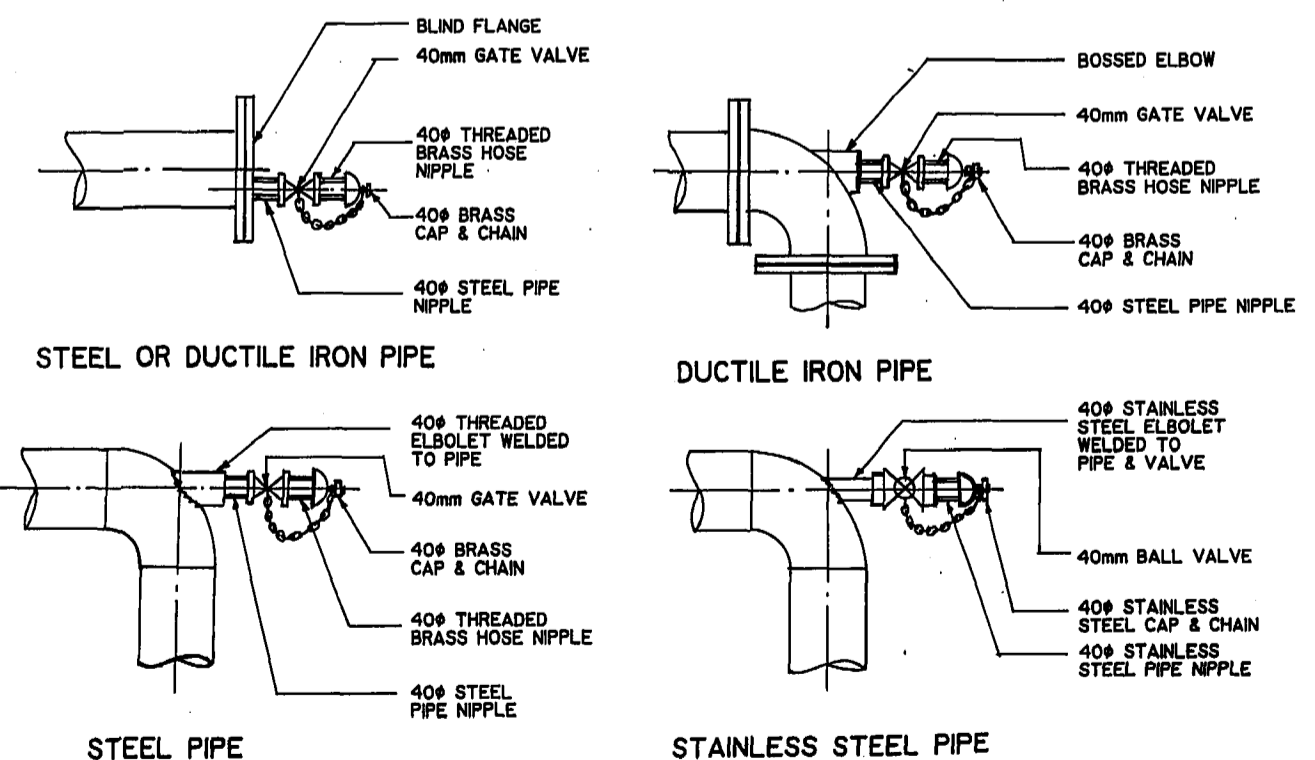


SEE PIPE ANCHOR DETAIL ON NEP-1291



AS CONSTRUCTED APPROVED BY DATE 1988-03-20



FOR SHOP DRAWING INFORMATION REFER TO THE SHOP DRAWING CROSS REFERENCE INDEX

NO.	REVISIONS	DATE	APP.
A	REVISED TO AS CONSTRUCTED	17/11/88	

REGISTERED PROFESSIONAL ENGINEER

G. G. POWELL

PROVINCE OF ONTARIO

A.P.E.M. - 112-84(R)

EXP. DATE: 85-10-15

ENGINEER'S SEAL

Underwood McLellan Ltd.  
Consulting Engineers and Planners

GORE & STORRIE LIMITED  
CONSULTING ENGINEERS

DESIGNED BY: J. CHENG

CHECKED BY: J. CHENG

DRAWN BY: S.C.

DATE: JUNE / 85

APPROVED BY: [Signature]

DATE: JUNE / 85

THE CITY OF WINNIPEG

WORKS & OPERATIONS DIVISION

WATERWORKS, WASTE & DISPOSAL DEPARTMENT

NORTH END WATER POLLUTION CONTROL CENTRE  
SLUDGE DIGESTION EXPANSION

MISCELLANEOUS DETAILS (4)

RELEASED FOR CONSTRUCTION: [Signature] DATE: 17/6/85

SCALE: AS NOTED

DRAWING NO: NEP-1285