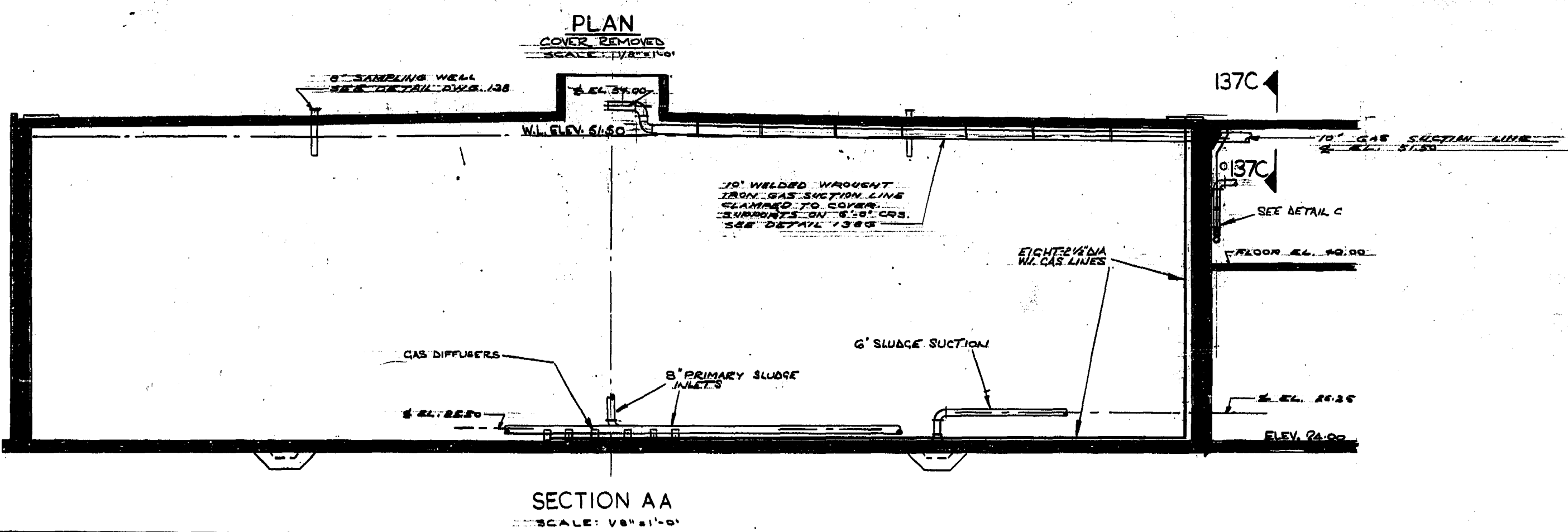
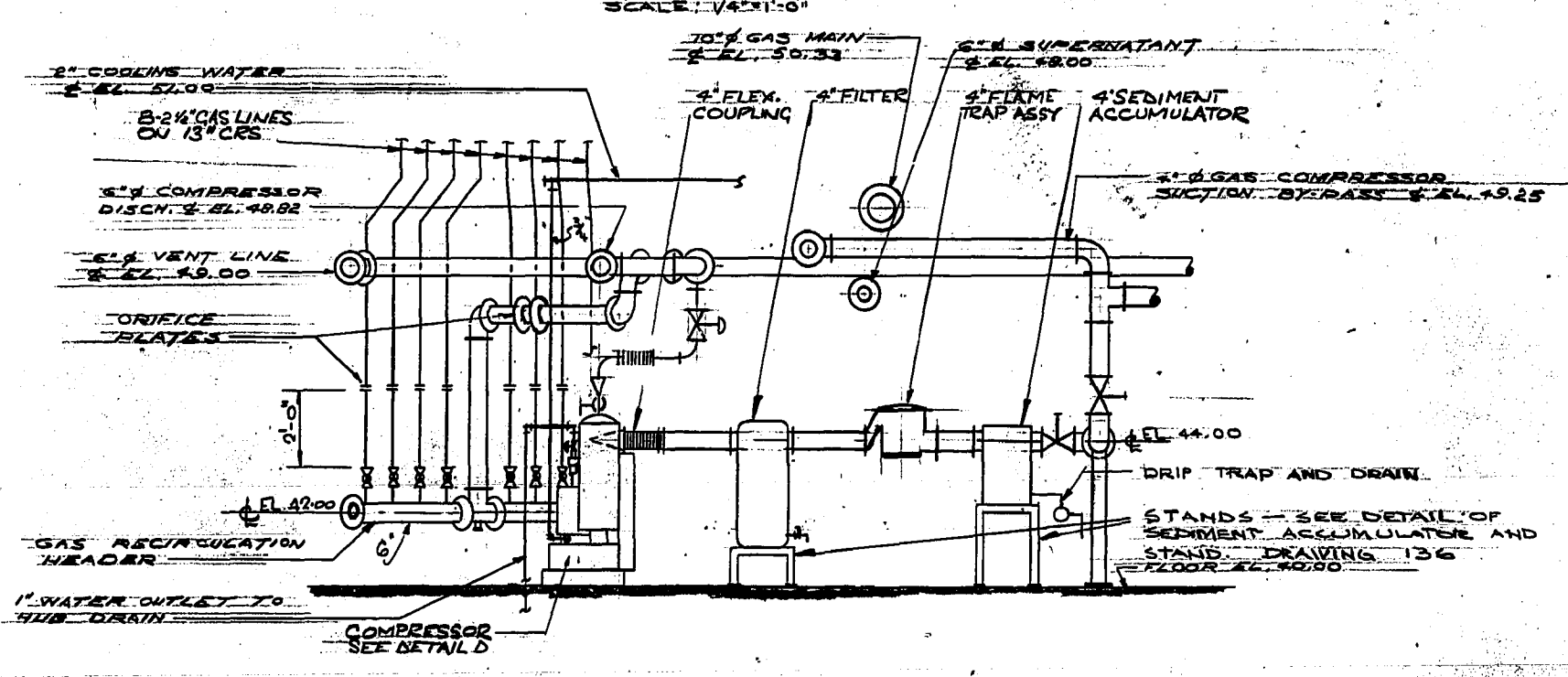
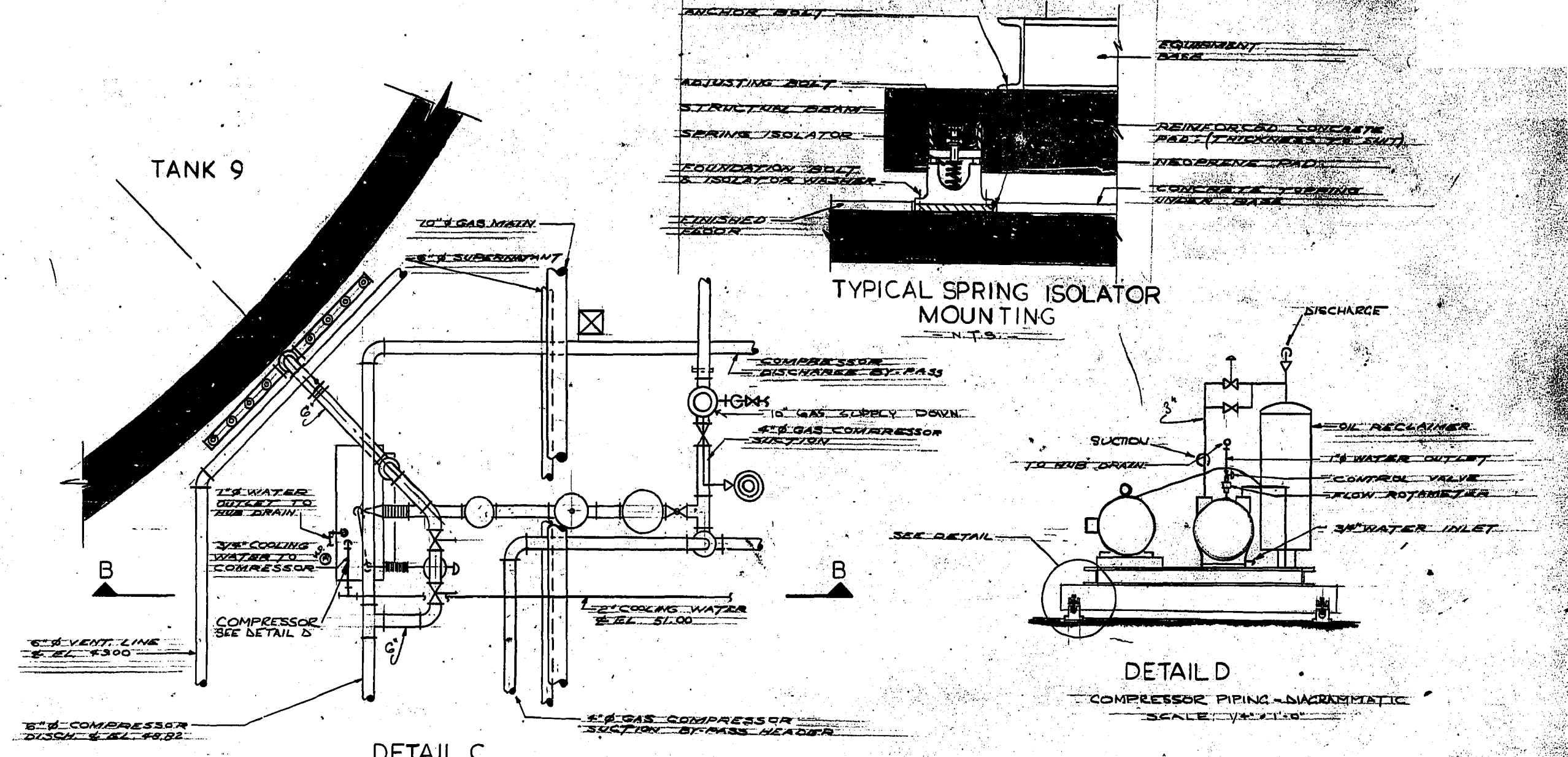
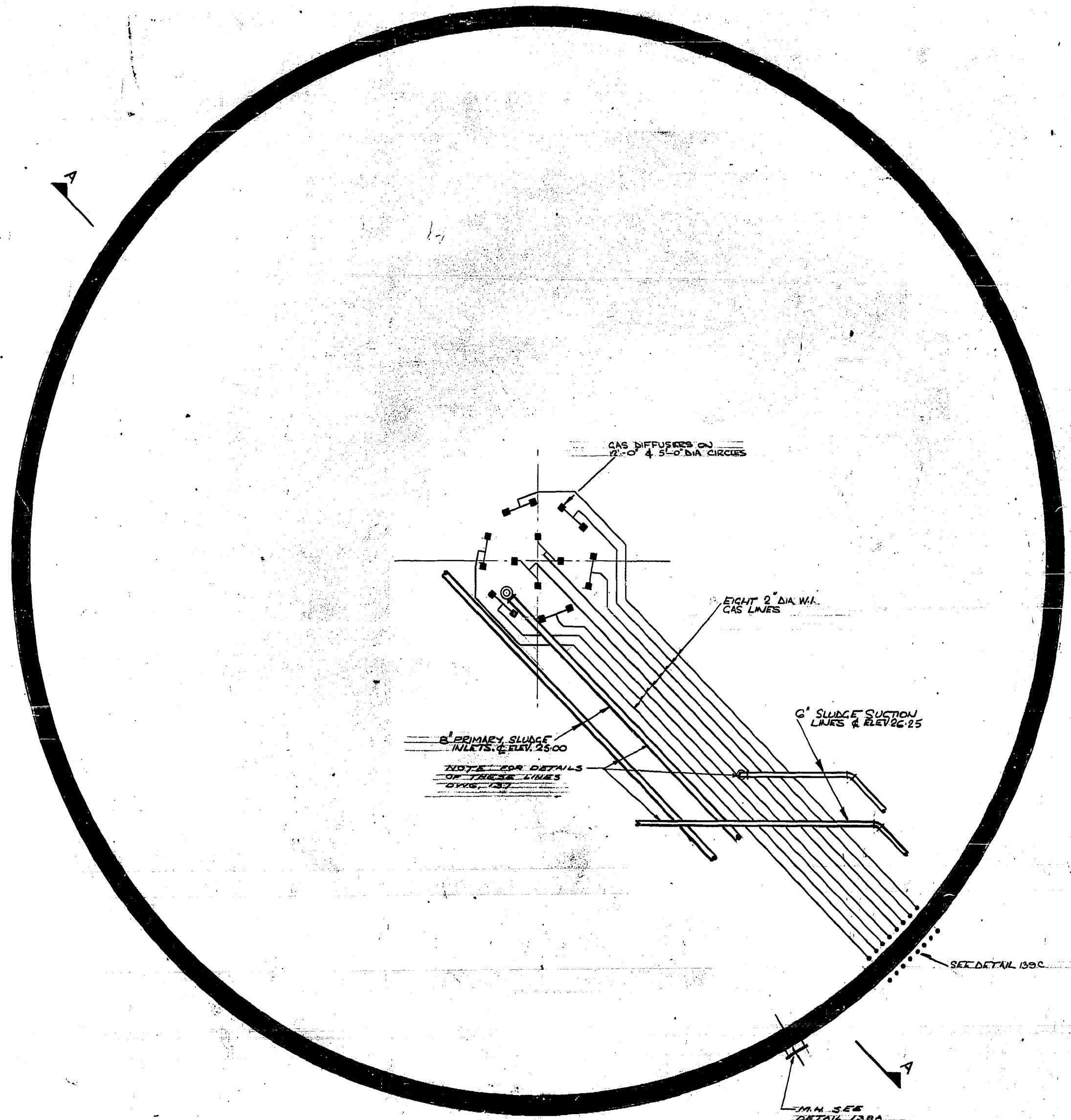
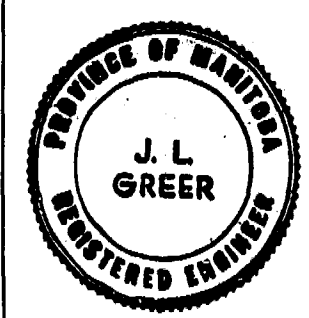
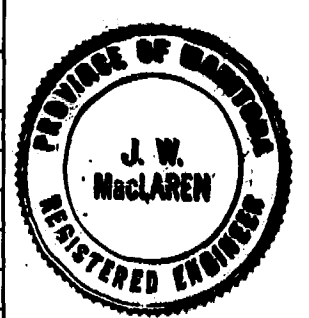


REF. or Drawing No. **NEP 139**
DETAILS



NOT APPLICABLE

REVISIONS		
No.	DATE	DETAIL



THE METROPOLITAN CORPORATION OF GREATER WINNIPEG
 WATERWORKS AND WASTE DISPOSAL DIVISION

NORTH END SEWAGE TREATMENT PLANT

CONTRACT A-DIGESTION AREA

GAS RECIRCULATION SYSTEM

APPROVED: *J. W. MacLaren*
 ENGINEER DESIGN

APPROVED: *J. L. Greer*
 ENGINEER OF WASTE DISPOSAL

W.L. WARDROP ASSOCIATES (MANAGEMENT) LIMITED
 ENGINEERING CONSULTANTS WINNIPEG

DATE: MARCH 11, 1963
 SCALE: AS SHOWN
 DWG. No. 139 OF 217
NEP 139

FOR ACTUAL ELEV. SUBTRACT 0.37 FT. **AS BUILT**