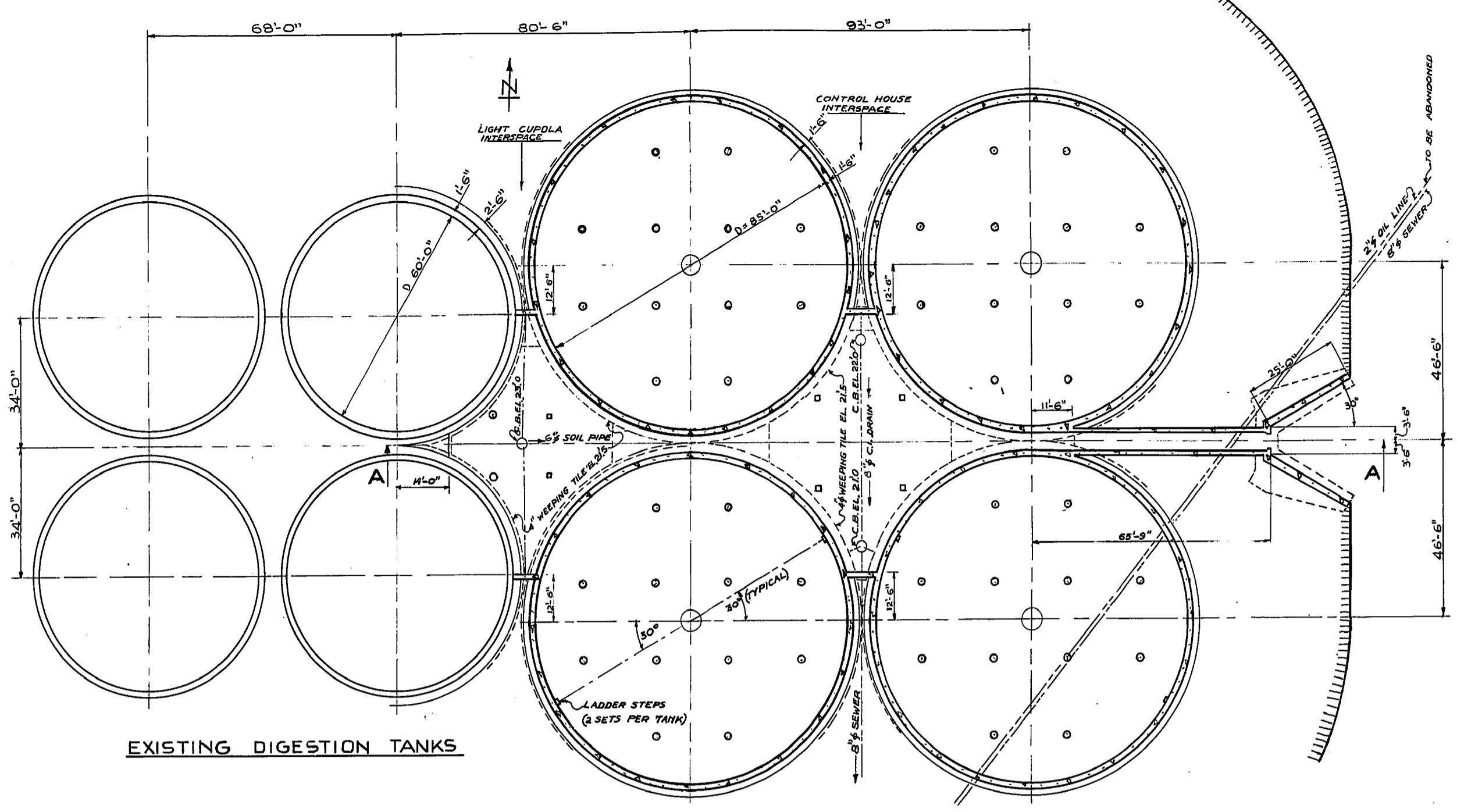


TYPICAL PILE PLAN OF TANK FLOOR
SCALE 1/8" = 1'-0"

NOTE:
PILE LOAD - 30,000 LBS EACH EXCEPT
4-PILE CLUSTER UNDER COL'S - 45,000 LBS. EA.

PILE LOAD	PER TANK	NO.	TOTAL FOR 4 TANKS	PILE LENGTH
30,000 LB.	437		1748	35 FT.
45,000 LB.	48		192	50 FT.
TOTAL	485		1940	



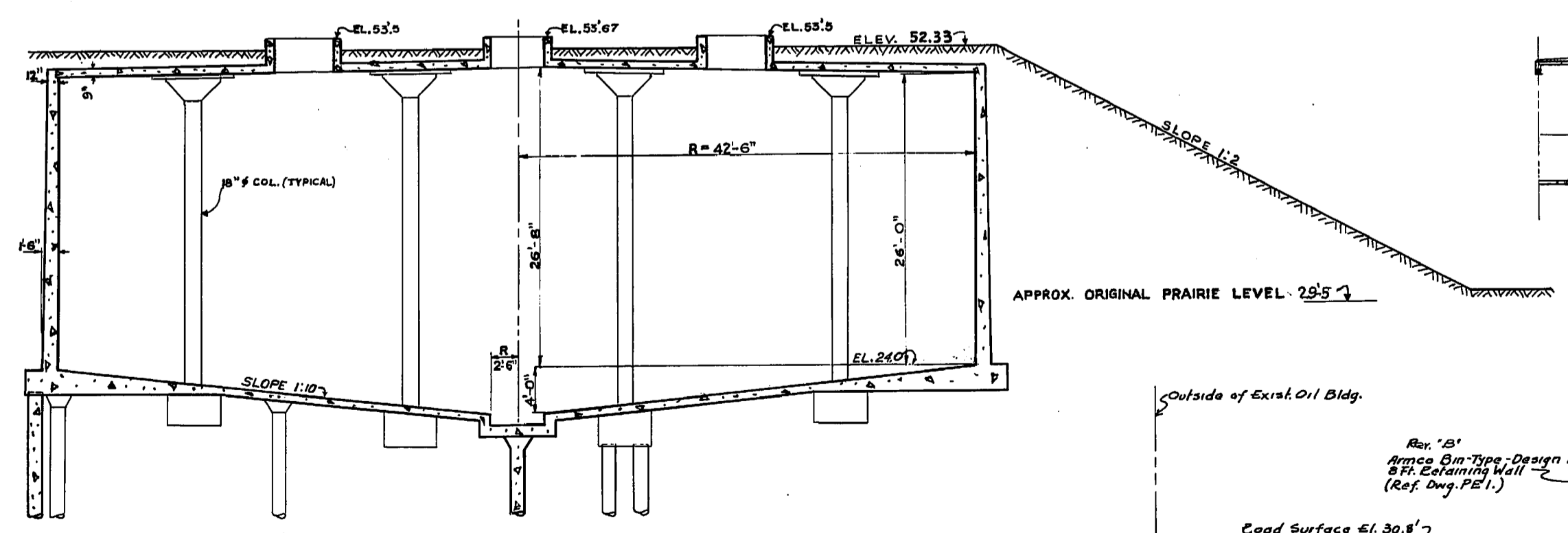
EXISTING DIGESTION TANKS

PROPOSED DIGESTION TANKS

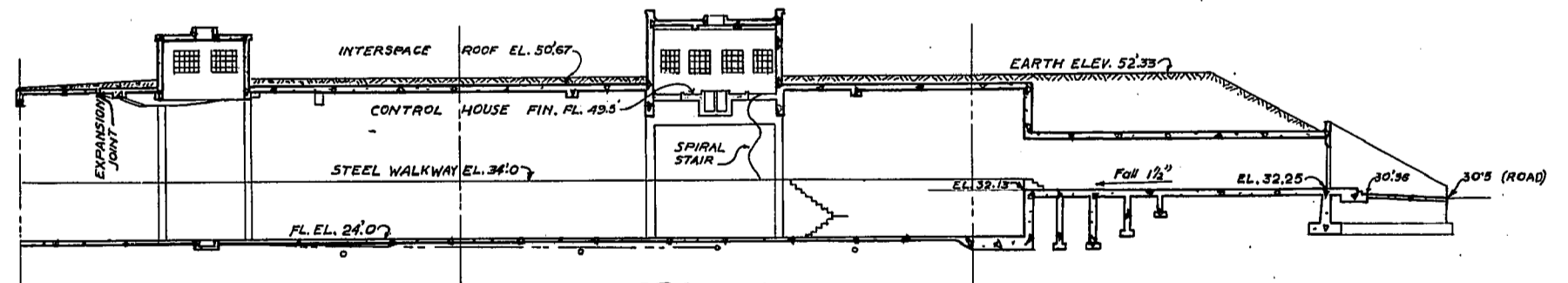
KEY PLAN
SCALE 1" = 20'-0"

ADDITIONAL PILES REQUIRED:

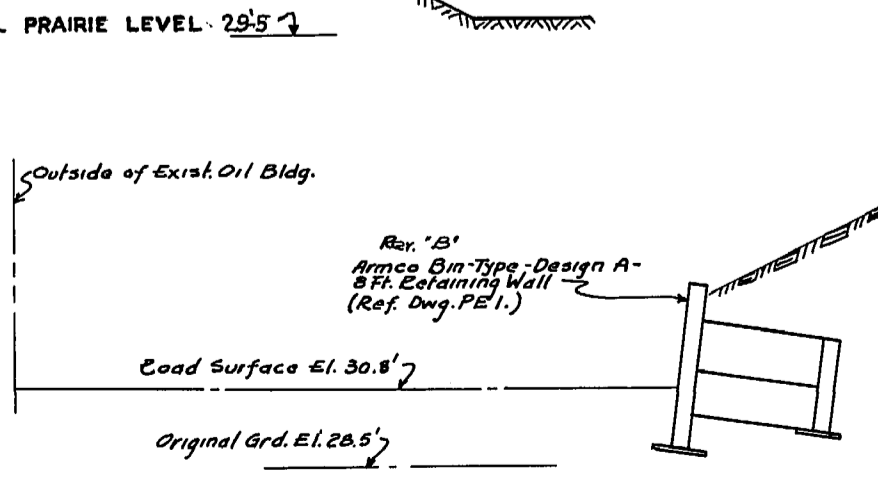
LOCATION	QUAN.	CAP.	LENGTH	DRWG. NO.
CONTROL HOUSE	20	35,000 LBS.	40 FT.	PE-6
INTERSPACE	8	30,000	35	PE-7
LIGHT CUPOLA	8	40,000	45	PE-7
INTERSPACE	8	40,000	45	PE-7
TUNNEL ENTRANCE	50	40,000	45	PE-8
WELL PUMP HOUSE	2	30,000	35	PE-23
GRIT LOADING BLDG.	10	30,000	35	PE-20
TOTAL	98			A REY.



TYPICAL SECTIONAL VIEW
SCALE 1/8" = 1'-0"



SEC. A-A
SCALE: 1" = 20'-0"



DETAIL: RETAINING WALL SOUTH SIDE OF DIGESTERS.
Scale: 1" = 4' (Vert. & Horiz.)

APPROVED FOR CONSTRUCTION
Date **APR 21 1958**
This approval is based on the design and quantities of material and equipment and does not in any way release the Contractor of any liability to the City.

NO.	DESCRIPTION	DATE
1	ADDITIONAL PILES REQ'D. (WAS 88)	10-15-52 W.H.
2	8" PEPP Retaining Wall (See P.P. 31-3-53 A.P.)	

GREATER WINNIPEG SANITARY

DRAWN BY **E.H.F.** DATE **March 15 50**
 TRACED BY **J.W.** CHECKED BY **[Signature]**
 APPROVED: **[Signature]** M.P.T.
 FOR DISTRICT: **[Signature]**

W. D. HURST
CHAIRMAN OF COMMISSIONERS
N. S. BUBBIS
GENERAL MANAGER
ALYDOR, GARDICK & HEWITT
ENGINEERS

DIGESTERS KEY PLAN AND DIGESTION TANK PILE PLAN
As Shown **PE**