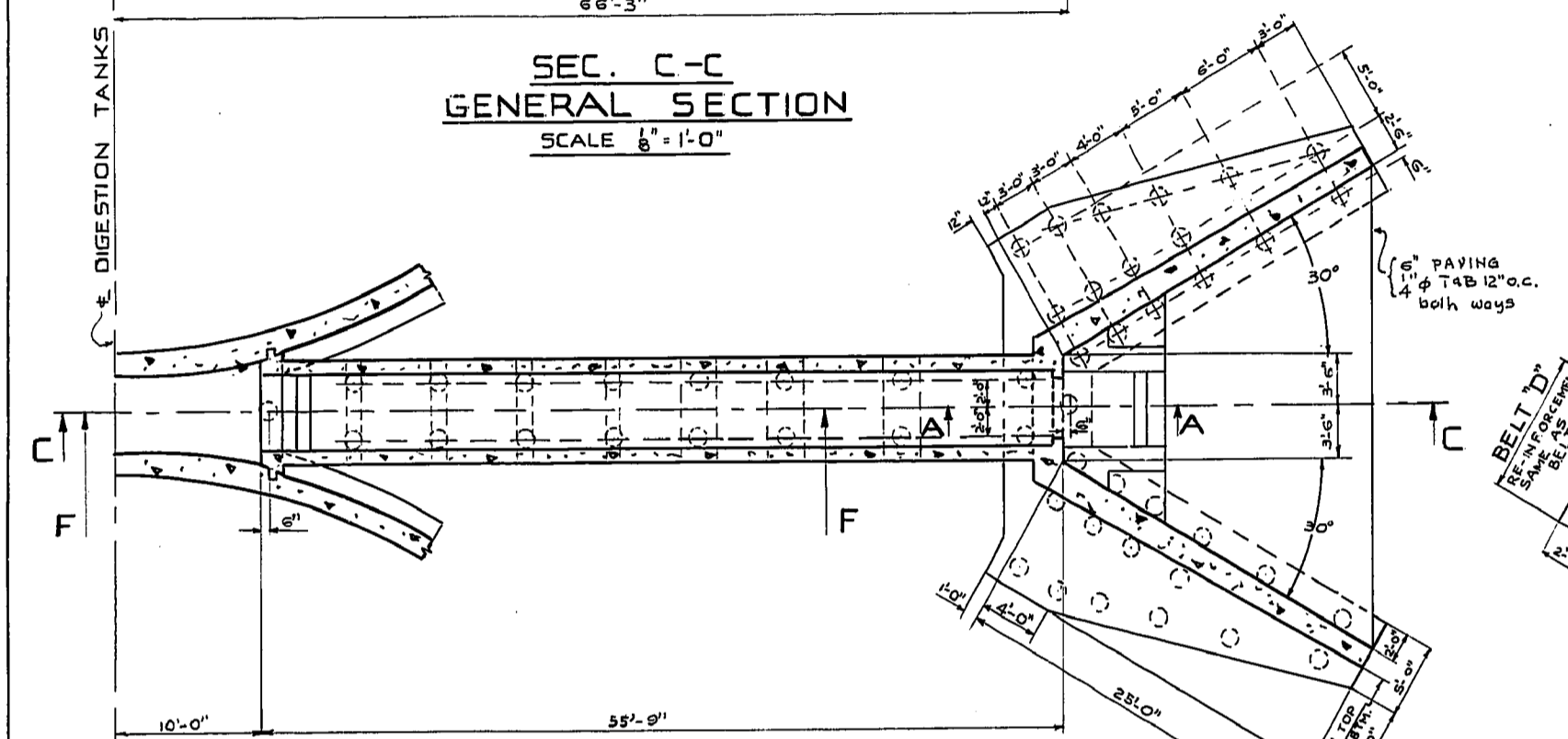
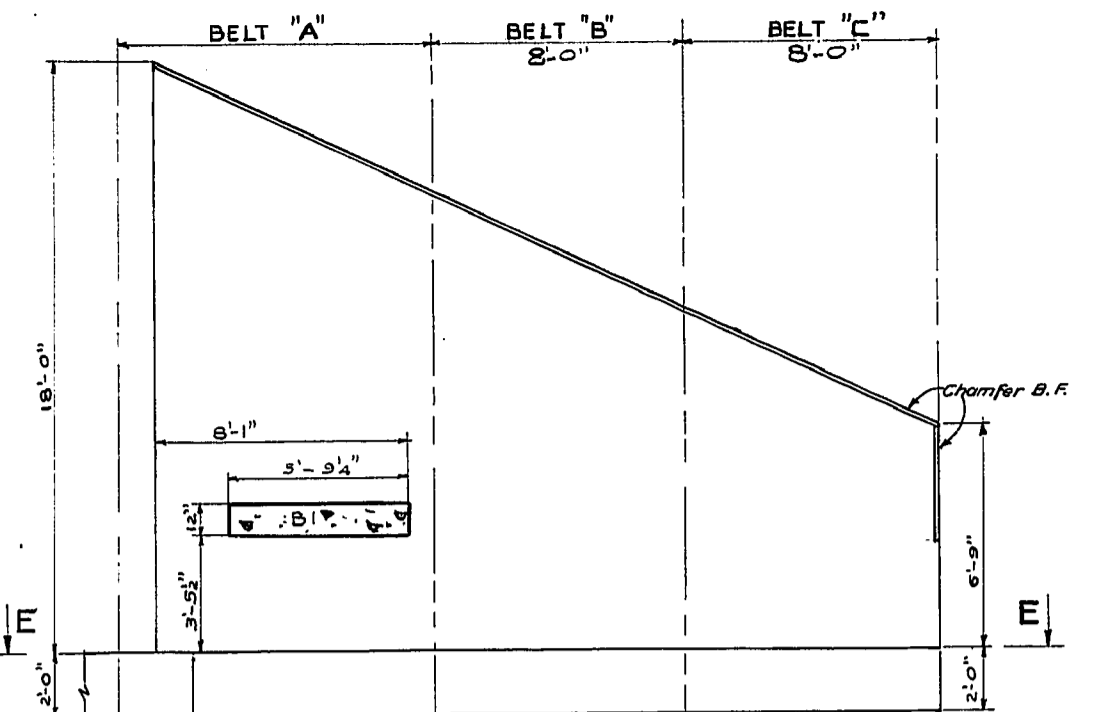


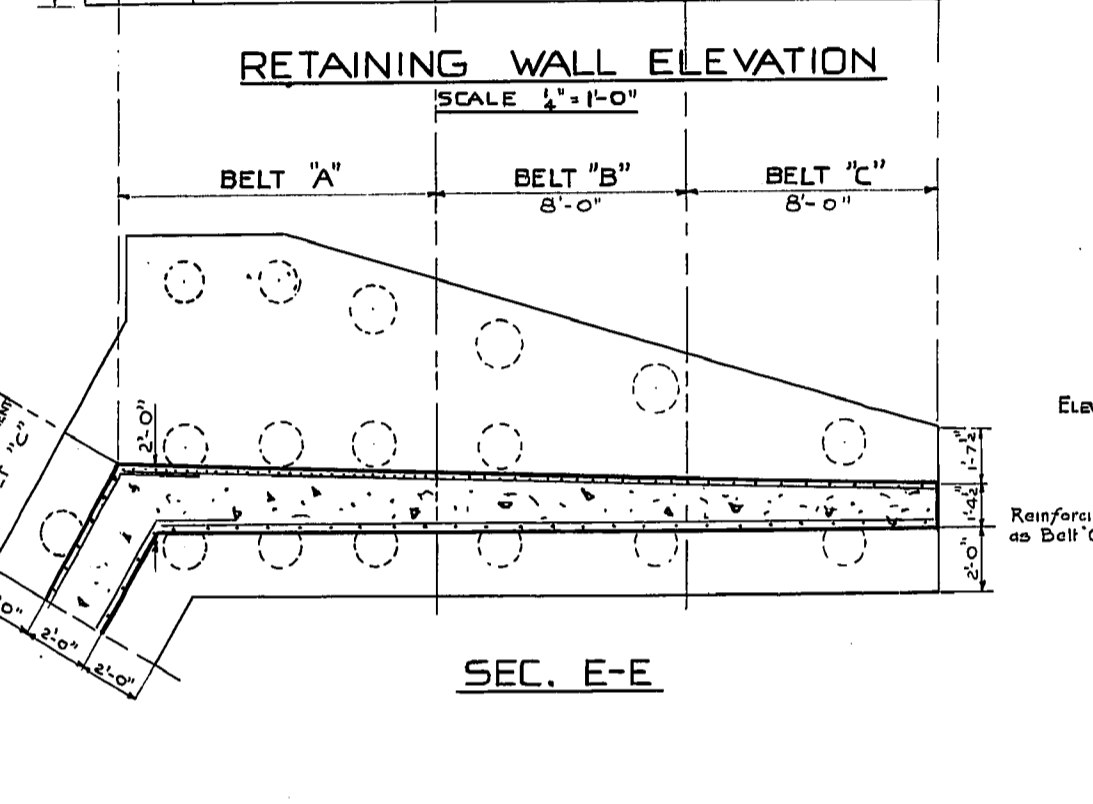
SEC. C-C  
GENERAL SECTION  
SCALE 1/8" = 1'-0"



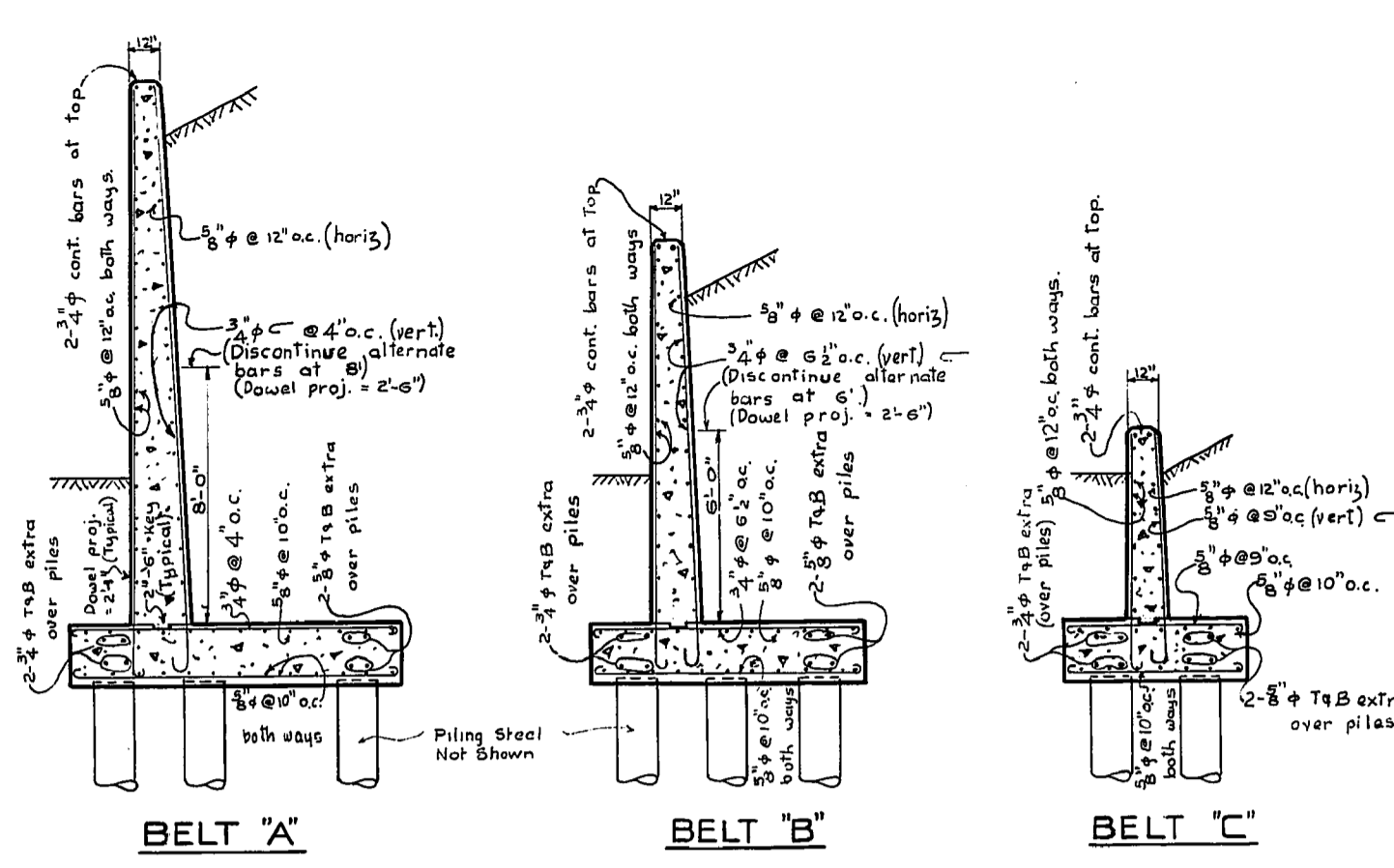
SEC. D-D  
GENERAL PLAN  
SCALE 1/8" = 1'-0"



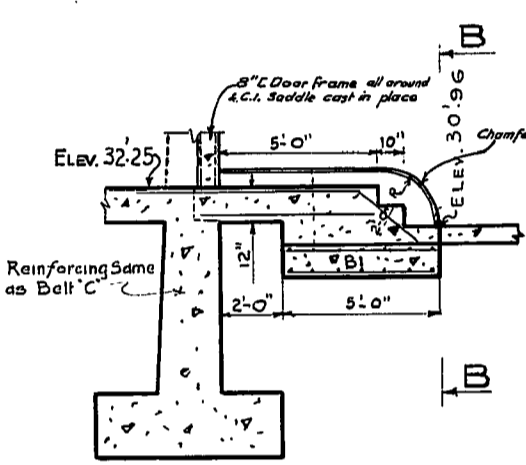
RETAINING WALL ELEVATION  
SCALE 1/4" = 1'-0"



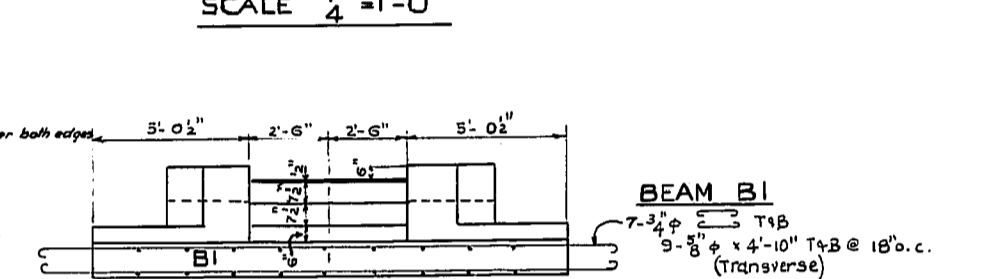
SEC. E-E



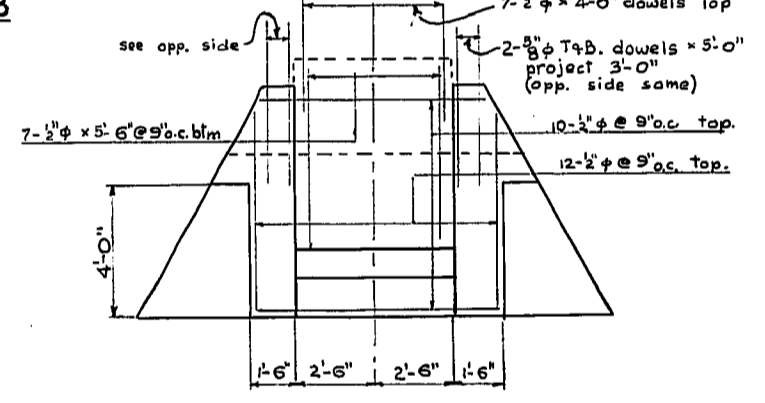
TYPICAL WALL SECTIONS  
SCALE 1/4" = 1'-0"



SEC. A-A

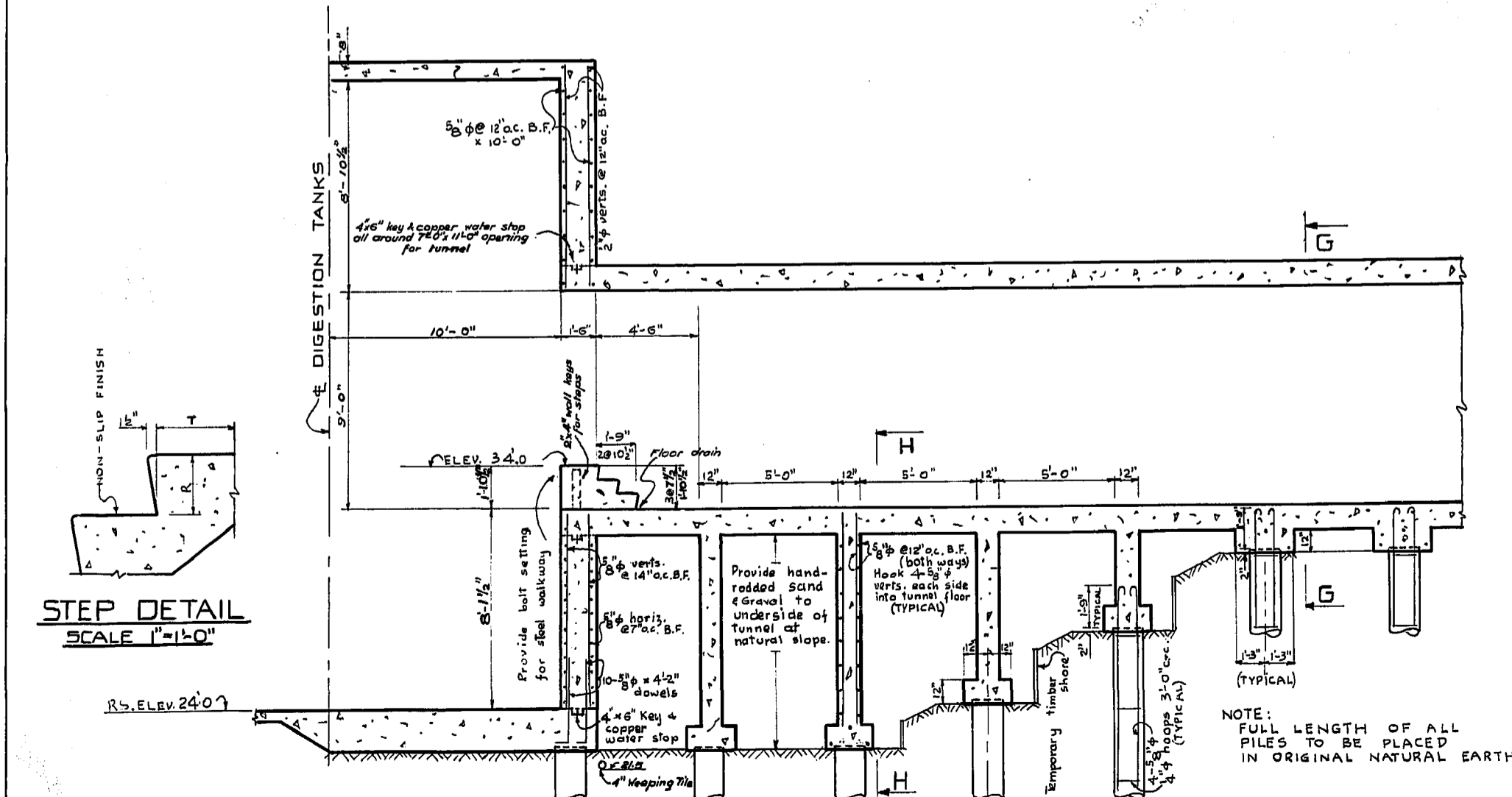


ELEV. B-B

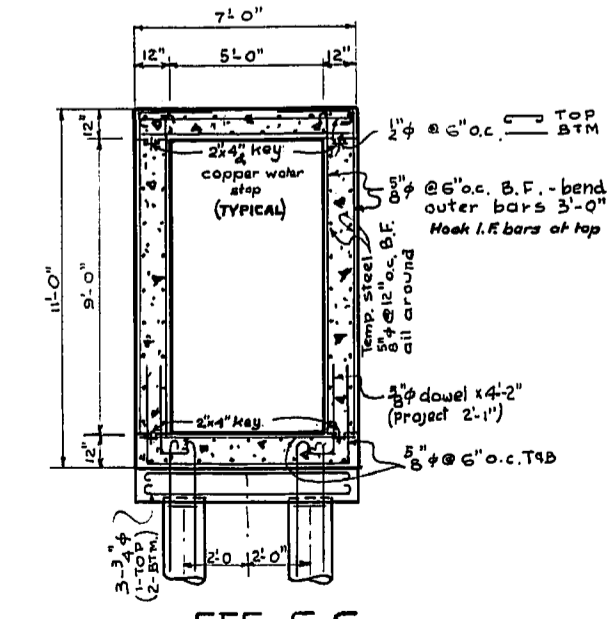


PLAN OF ELEV. B-B

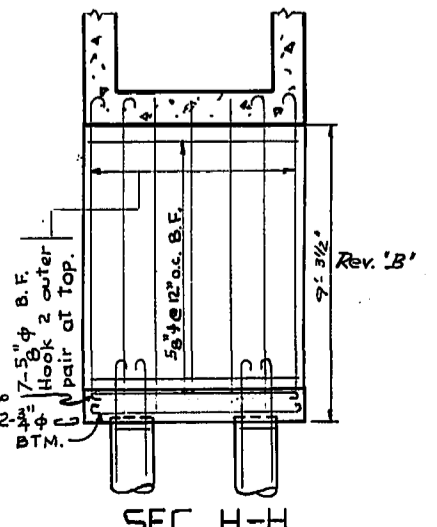
TUNNEL ENTRANCE STAIR  
SCALE 1/4" = 1'-0"



SEC. F-F  
SCALE 1/4" = 1'-0"



SEC. G-G



SEC. H-H

STEP DETAIL  
SCALE 1" = 1'-0"

NOTE:  
FULL LENGTH OF ALL  
PILES TO BE PLACED  
IN ORIGINAL NATURAL EARTH.

REV.	DESCRIPTION	DATE	BY
1	REIN. STEEL REDESIGNED	10-1-52	W.K.H.
2	INSERT DIMENSION SEC. H-H 9' 3 1/2"	10-1-52	A.P.

**APPROVED FOR CONSTRUCTION**  
Date: 10-1-52

**GREATER WINNIPEG SANITARY**

W. D. HURST  
MANAGER OF COMMISSIONERS

N. S. BUBBIS  
GENERAL MANAGER

ALVORD, BRIDICK  
& HOWE  
CONSULTING ENGINEERS

**TUNNEL ENTRANCE TO DIGESTOR TANKS**  
As Shown PE-8