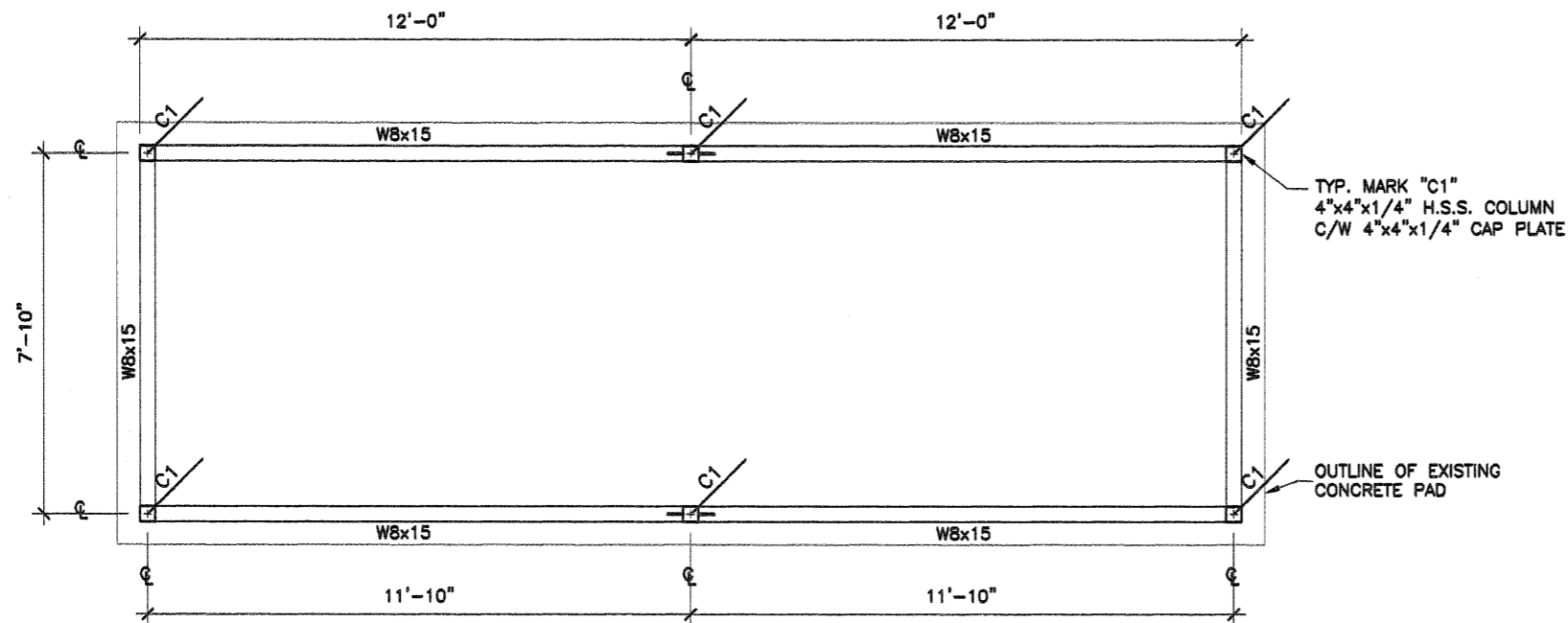
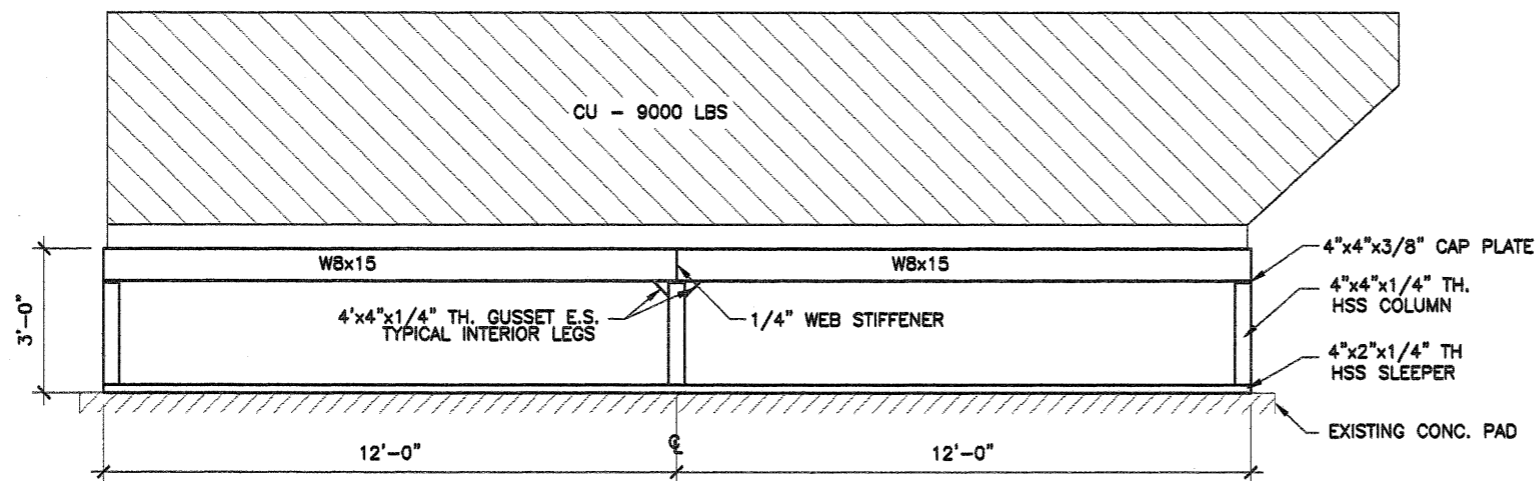


P001/001
 Oct 12 2010 14:47
 Isted Technical Sales Fax:204-779-7307



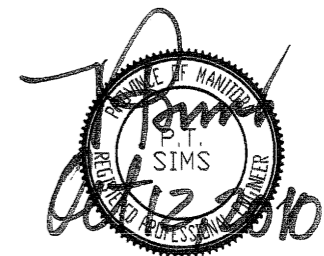
1 PLAN
 DS-1 SCALE: 1/4"=1'-0"



2 ELEVATION
 DS-1 SCALE: 1/4"=1'-0"

NOTES:

1. CONTRACTOR TO SUBMIT SHOP DRAWING PRIOR TO FABRICATION FOR SAE APPROVAL.
2. ALL STEEL TO BE SUPPLIED WITH ONE COAT SHOP PRIMER.
3. THIS DRAWING TO BE WORKED IN CONJUNCTION WITH EQUIPMENT MANUFACTURERS DIMENSIONAL SHOP DRAWING.



APEGM
 Certificate of Authorization
 SAE|SIMS & Associates
 Engineers Ltd.
 No.354 Expiry: April 30, 2011

DATE: 10/12/10	REV: 10562	SCALE: AS NOTED	DS-1
DRAWN: T.D.	CHECKED: P.I.S.		
SHEET TITLE:			
NEW CU FRAME STAND			
JOB TITLE:			
NORTHWOOD COMMUNITY CENTER WINNIPEG, MANITOBA BID OPPORTUNITY 754-2010			
1601-B Silver Avenue Winnipeg, Manitoba R3J 4A1 Ph: (204) 786-4946 Fax: (204) 786-4953 email: saeeng@saeeng.mb.ca			
SAE ASSOCIATES ENGINEERS LTD.			