

VARIABLE SPEED DRIVE CONTROL PANEL G102 | FIELD | FDP-G (FIELD DEVICE PANEL - G) | FIELD | DCS | PCU "SA"

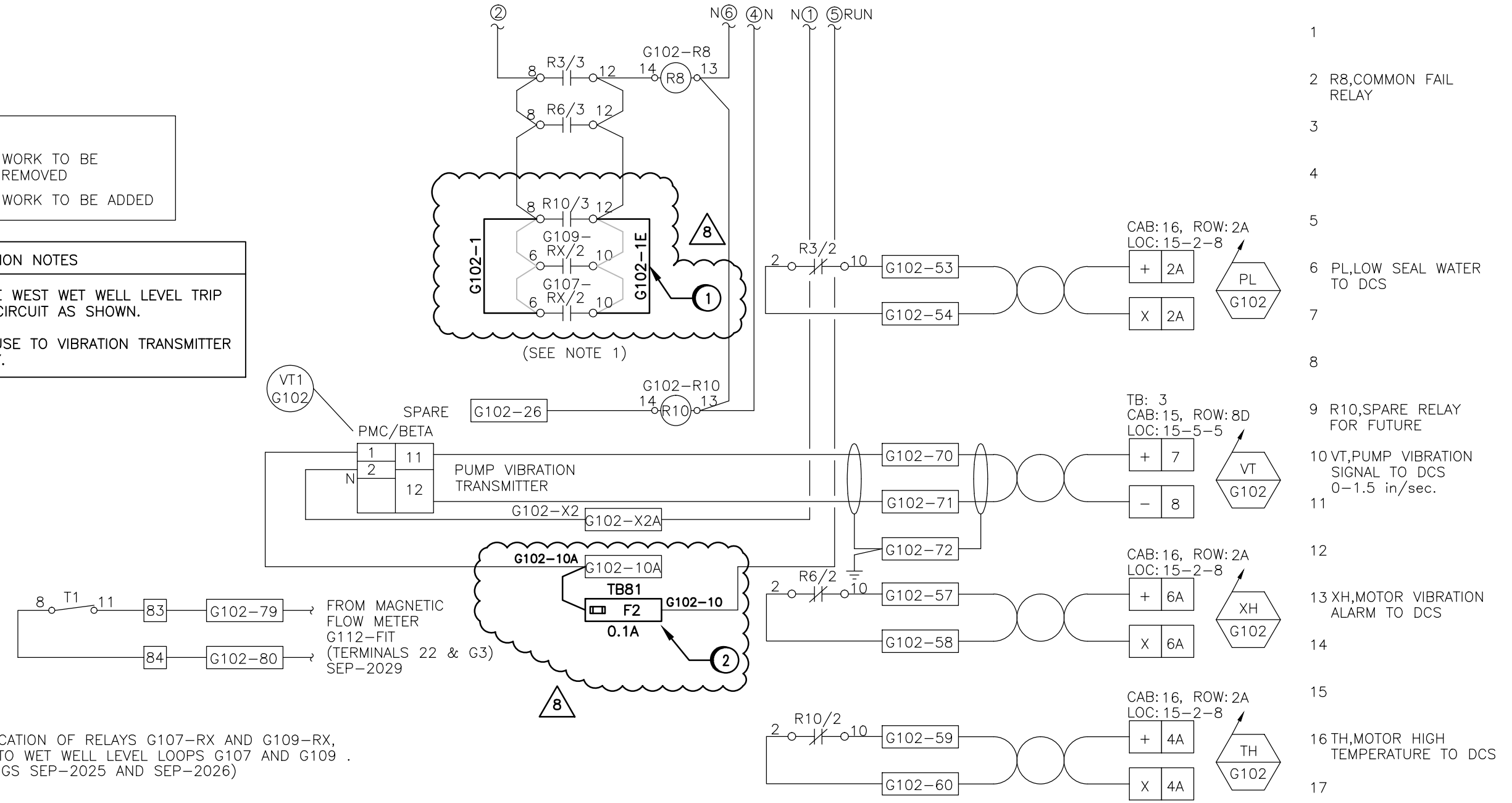
LEGEND:
 - - - WORK TO BE REMOVED
 ——— WORK TO BE ADDED

CONSTRUCTION NOTES

① REMOVE WEST WET WELL LEVEL TRIP FROM CIRCUIT AS SHOWN.

② ADD FUSE TO VIBRATION TRANSMITTER SUPPLY.

RAW SEWAGE PUMP LOOP G102-RSP



NOTE: 1. FOR LOCATION OF RELAYS G107-RX AND G109-RX, REFER TO WET WELL LEVEL LOOPS G107 AND G109. (DRAWINGS SEP-2025 AND SEP-2026)

NOTE: REVISED DRAWING NUMBER, IT WAS ORIGINALLY SEP-2014



SNC-LAVALIN INC. 148 Nature Park Way Winnipeg, Manitoba Canada R3P 0X7				
DESIGNED: T. CHURCH	APPROVED: C. REIMER			
CHECKED: C. REIMER	DATE: 2010/10/01			
PROJECT No. 112577	SUBDIV. 0112	SUBJECT 48 DD	SERIAL 0108	REV. 8

NO.	REVISIONS	DATE	BY
8	ADDED FUSE AND REMOVED LOW LEVEL INTERLOCK	2010/10/01	TMC
7	WAS 1-0102G-H-A0001	10/03/03	SW
6	REVISED TO DATE	07/07/19	WKT
5	REVISED TO DATE	05-06	RMC
4	REPLACED VARIABLE SPEED DRIVE	10-01	AM
3	GENERAL REVISIONS	05-00	DS
2	ADD 1/A FPR SPEED & LOAD SIG.	05-94	KDI
1	AS CONSTRUCTED	12-93	BT

DRAWING ORIGINATED BY: MacLAREN ENGINEERS INC. WARDROP ENGINEERING INC. ENGINEERING CONSULTANTS CONSULTANT DWG. NO. 870012-01-20	
DESIGNED BY RH	CHECKED BY
DRAWN BY RH	APPROVED BY
HOR. SCALE VERTICAL	N.T.S.
DATE 06-92	RELEASED FOR CONSTRUCTION DATE

ENGINEER'S SEAL
ORIGINAL DRAWING SEALED BY: T. CHURCH SNC-LAVALIN INC. 2010/10/01 REV. 08 CHANGES ONLY
PLOT DATE: 2010 10 05

THE CITY OF WINNIPEG WATER AND WASTE DEPARTMENT

SOUTH END WATER POLLUTION CONTROL CENTRE
 PUMP & SCREEN BUILDING - 1 & C, RAW SEWAGE PUMPING SYSTEM, RAW SEWAGE PUMP CONTROL LOOP - G102

CITY DRAWING NUMBER **1-0102G-A0038-004**

SHEET 4 OF 4
CITY DRAWING NUMBER