

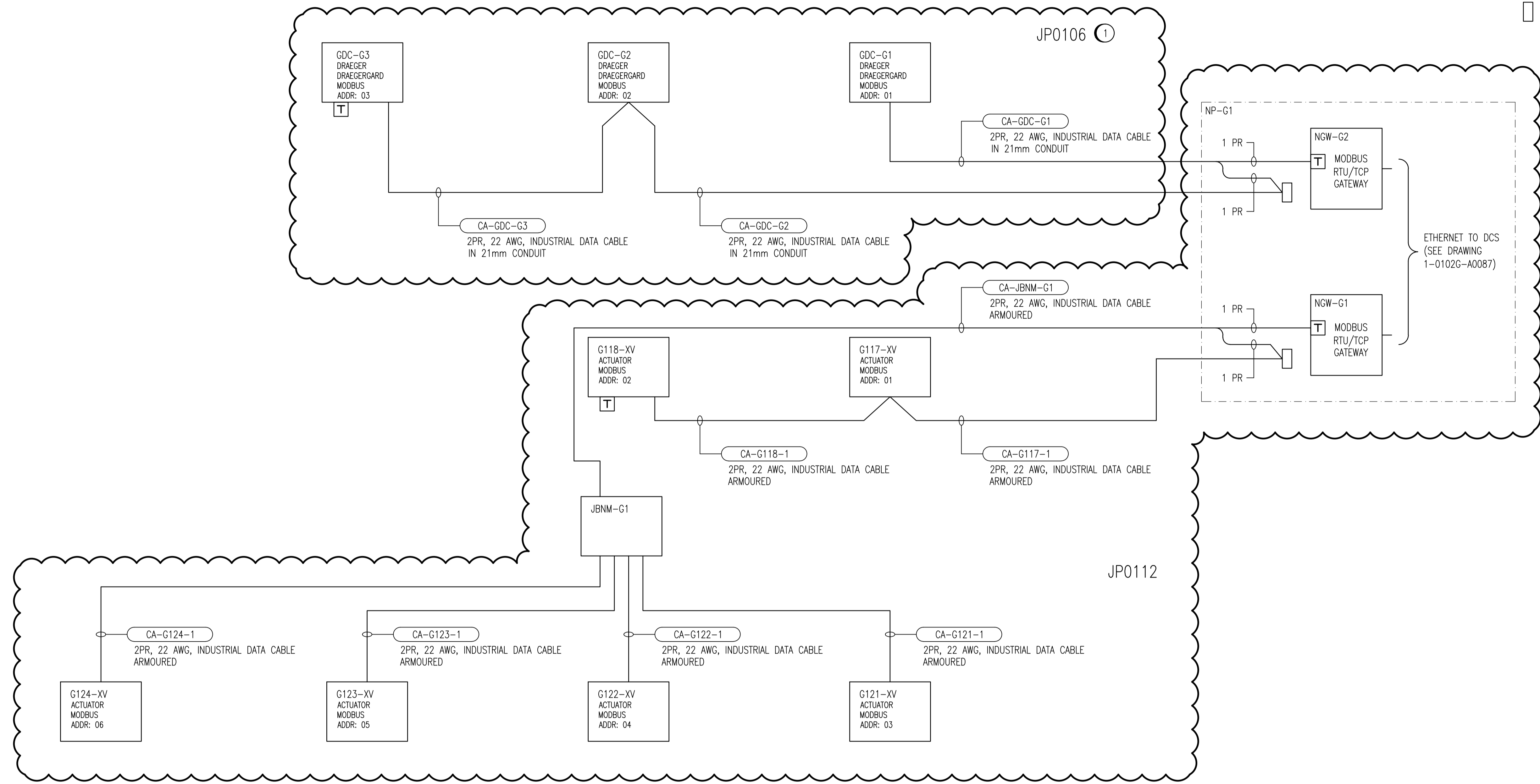


LEGEND:
 MODBUS NETWORK TERMINATED
 TERMINAL BLOCK



CONSTRUCTION NOTES

① WORK MARKED AS JP0106 IS NOT IN THE SCOPE OF THE HEADWORKS UPGRADES.

1-0102G-A0083	INSTRUMENT LOOP DIAGRAM - G121-XV, G122-XV, G123-XV, G124-XV
1-0102G-A0082	INSTRUMENT LOOP DIAGRAM - G117-XV AND G118-XV
DRAWING NUMBER	REFERENCE DRAWINGS

APECM
 Certificate of Authorization
 SNC-Lavalin Inc.
 No. 4489

NO.	REVISIONS	DATE	DESIGN	CHECK
00	ISSUED FOR TENDER	2010/10/01	TMC	CJR

SNC-LAVALIN INC.
 148 Nature Park Way
 Winnipeg, MB, Canada R3P 0X7
 204-786-8080

DESIGNED BY: T. CHURCH
 CHECKED BY: C. REIMER
 DRAWN BY: S. COATES
 APPROVED BY: C. REIMER
 SCALE: NTS
 RELEASED FOR CONSTRUCTION BY: J. VEILLEUX
 DATE: 2009/10/30
 DATE: 2010/10/01
 CONSULTANT NO.: 112577-0112-480D-1204

ENGINEER'S SEAL
 ORIGINAL DRAWING
 SEALED BY:
 T. CHURCH
 SNC-LAVALIN INC.
 2010/10/01
 REV. 00

THE CITY OF WINNIPEG
 WATER AND WASTE DEPARTMENT

SOUTH END WATER POLLUTION CONTROL CENTRE
 HEADWORKS UPGRADES
 NETWORK BLOCK DIAGRAM
 GRIT BUILDING MODBUS NETWORK

CITY DRAWING NUMBER: 1-0102G-A0048
 SHEET: 001
 REV: 00
 SIZE: A1