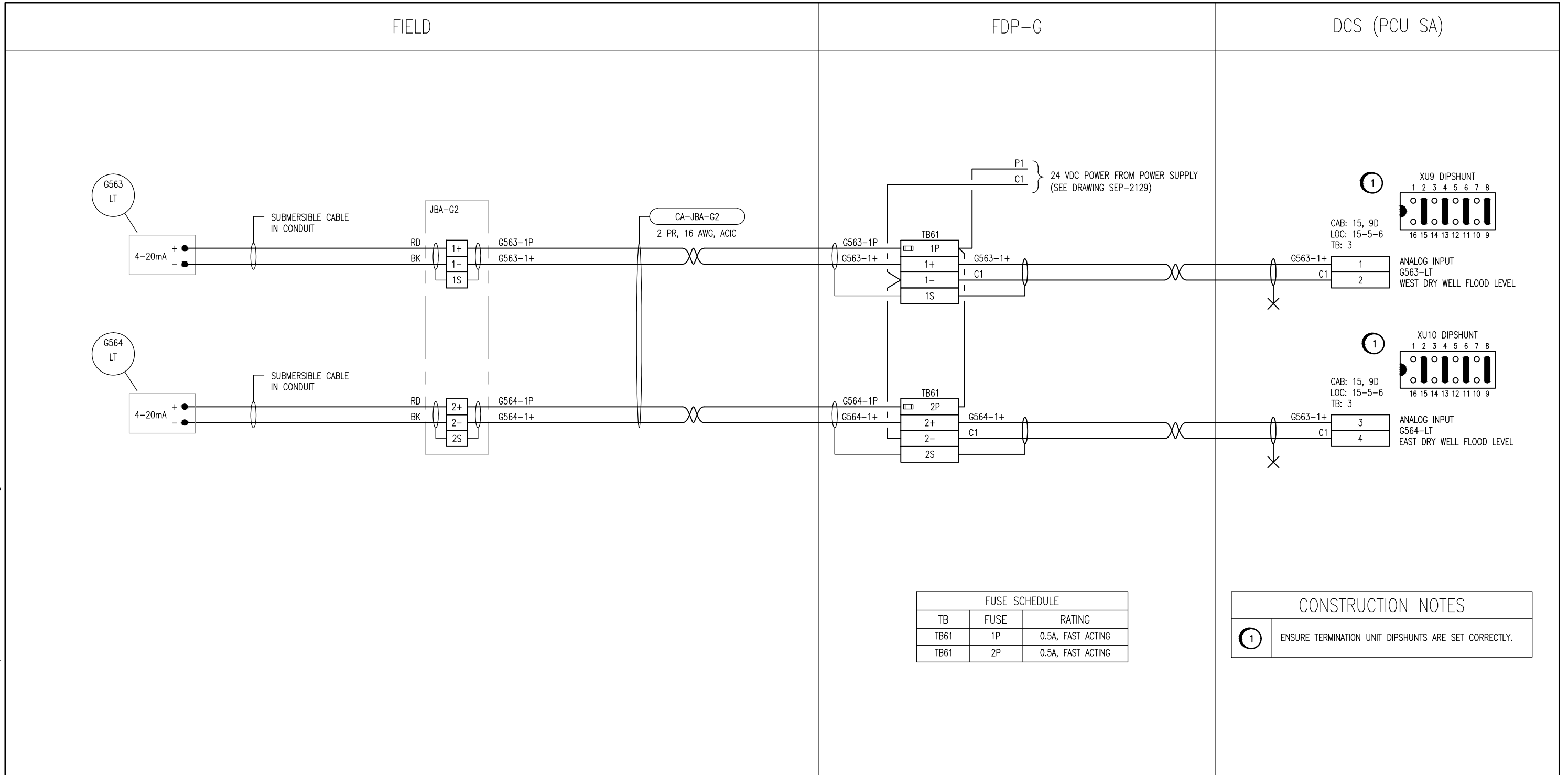


B SIZE - 279mm x 432mm

LAST SAVE: 2010/10/05 - 11:45am
 PATH: M:\112577\0112\4ENG\481&C\DD - General DWG\1-0102G-A0079-001-00.dwg



FUSE SCHEDULE		
TB	FUSE	RATING
TB61	1P	0.5A, FAST ACTING
TB61	2P	0.5A, FAST ACTING

CONSTRUCTION NOTES	
1	ENSURE TERMINATION UNIT DIPSHUNTS ARE SET CORRECTLY.

NOTES:
 1. SEE DRAWING 1-0102G-A0089 FOR JUNCTION BOX LAYOUT.



SNC-LAVALIN INC.
 148 Nature Park Way
 Winnipeg, MB, Canada R3P 0X7
 204-786-8080

ENGINEER'S SEAL
 ORIGINAL DRAWING SEALED BY:
 T. CHURCH
 SNC-LAVALIN INC.
 2010/10/01
 REV. 00

THE CITY OF WINNIPEG
 WATER AND WASTE DEPARTMENT

SOUTH END WATER POLLUTION CONTROL CENTRE
 HEADWORKS UPGRADES
 LOOP DIAGRAM
 DRY WELL FLOOD LEVELS
 LOOP G563 AND G564

CITY DRAWING NUMBER	SHEET	REV.	SIZE
1-0102G-A0079	001	00	B

NO.	REVISIONS	DATE	DESIGN	CHECK
00	ISSUED FOR TENDER	2010/10/01	TMC	CJR

DESIGNED BY: T. CHURCH	CHECKED BY: C. REIMER
DRAWN BY: S. COATES	APPROVED BY: C. REIMER
SCALE: N.T.S.	DATE: 2010/02/19
RELEASED FOR CONSTRUCTION	
BY: J. VEILLEUX	DATE: 2010/10/01
CONSULTANT NO.: 112577-0112-48DD-0200	