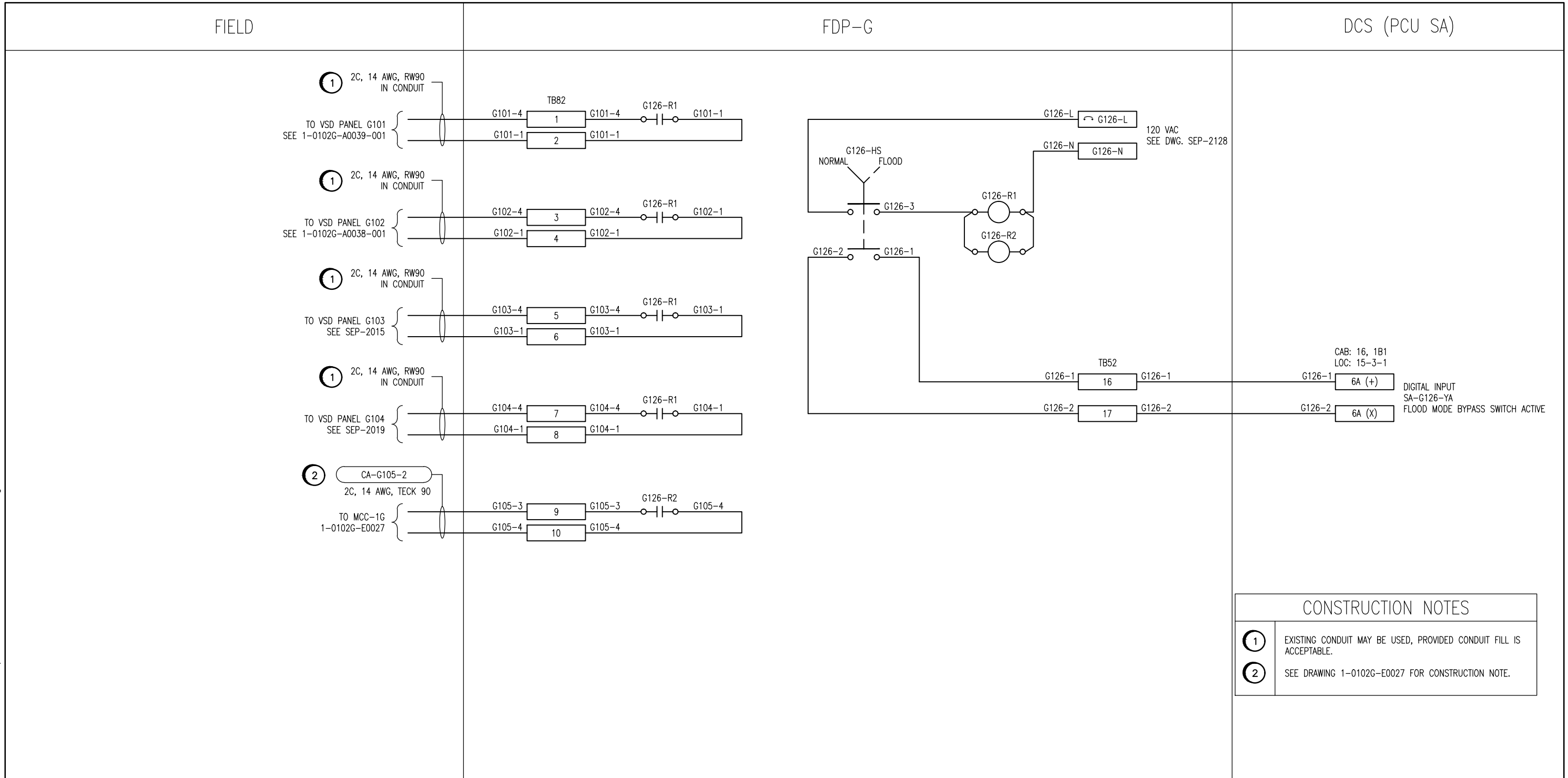


B SIZE - 279mm x 432mm

LAST SAVE: 2010/10/05 - 11:44am
 PATH: M:\112577\0112\4ENG\481&C\DD - General DWG\1-0102G-A0080-001-00.dwg



CONSTRUCTION NOTES	
1	EXISTING CONDUIT MAY BE USED, PROVIDED CONDUIT FILL IS ACCEPTABLE.
2	SEE DRAWING 1-0102G-E0027 FOR CONSTRUCTION NOTE.

NOTES:

- G126-R3 AND G126-R4 ARE DELAYED BY THE SWITCHING TIME OF G126-R1 AND G126-R2 TO KEEP THE PUMPS OPERATIONAL WHEN SWITCHING FROM NORMAL TO FLOOD MODE.



NO.	REVISIONS	DATE	DESIGN	CHECK
00	ISSUED FOR TENDER	2010/10/01	TMC	CJR

SNC-LAVALIN INC.
 148 Nature Park Way
 Winnipeg, MB, Canada R3P 0X7
 204-786-8080

DESIGNED BY: T. CHURCH	CHECKED BY: C. REIMER
DRAWN BY: S. COATES	APPROVED BY: C. REIMER
SCALE: N.T.S.	DATE: 2010/03/02
RELEASED FOR CONSTRUCTION	
BY: J. VEILLEUX	DATE: 2010/10/01
CONSULTANT NO.: 112577-0112-48DD-0201	

ENGINEER'S SEAL

ORIGINAL DRAWING
 SEALED BY:
 T. CHURCH
 SNC-LAVALIN INC.
 2010/10/01
 REV. 00

THE CITY OF WINNIPEG
 WATER AND WASTE DEPARTMENT

SOUTH END WATER POLLUTION CONTROL CENTRE
 HEADWORKS UPGRADES
 INSTRUMENT LOOP DIAGRAM
 G126 FLOOD MODE SELECTOR SWITCH

CITY DRAWING NUMBER	SHEET	REV.	SIZE
1-0102G-A0080	001	00	B