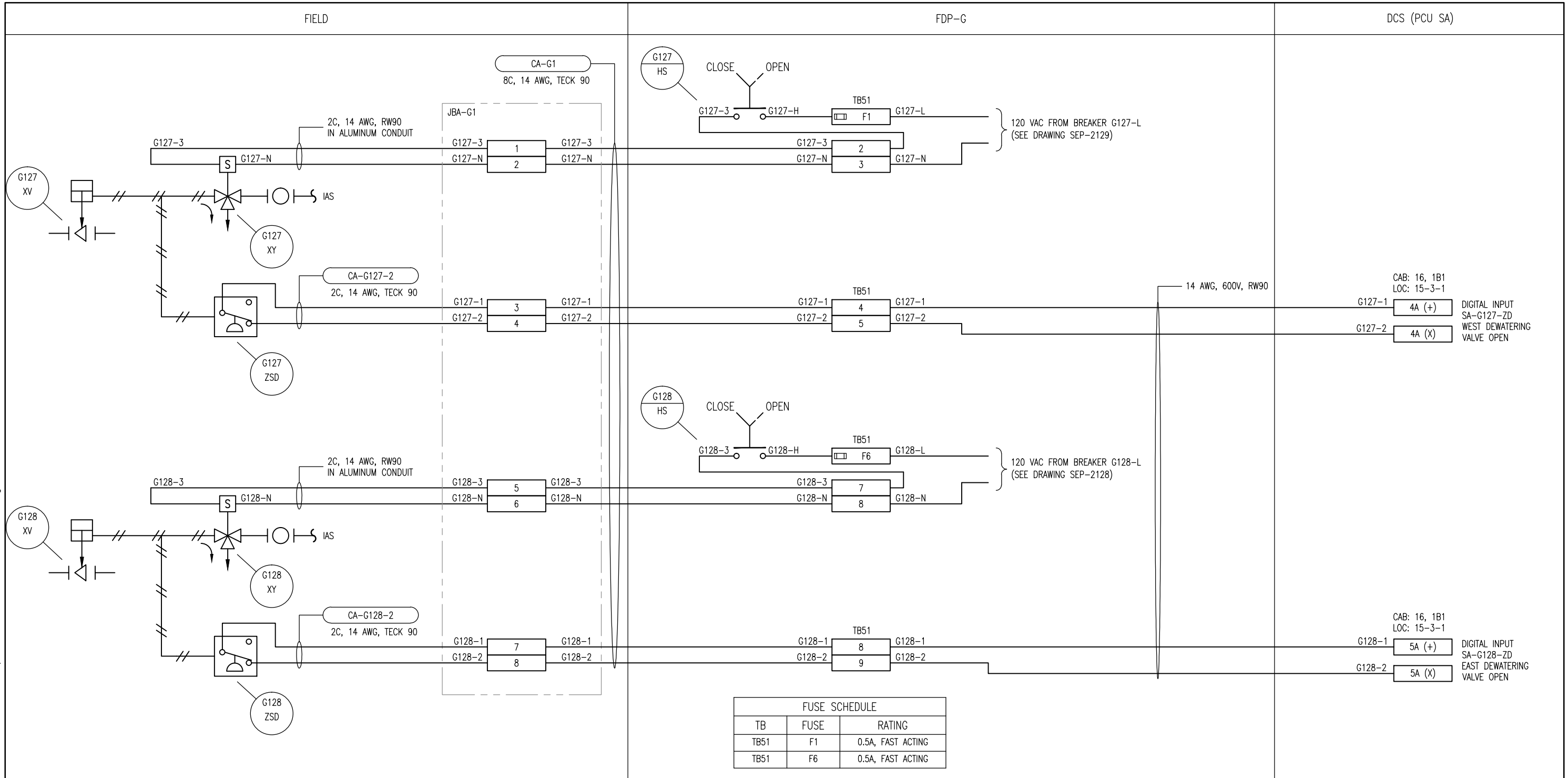


B SIZE - 279mm x 432mm

LAST SAVE: 2010/10/05 - 11:46am
 PATH: M:\112577\0112\4ENG\481&C\DD - General DWG\1-0102G-A0081-001-00.dwg



FUSE SCHEDULE		
TB	FUSE	RATING
TB51	F1	0.5A, FAST ACTING
TB51	F6	0.5A, FAST ACTING

NOTES:

- G127-XY, G127-ZSD, G128-XY AND G128-ZSD ARE MOUNTED ON THE SERVICE LEVEL, REMOTE FROM THE VALVES.
- SEE 1-0102G-A0089 FOR TYPICAL JUNCTION BOX LAYOUT.



SNC-LAVALIN INC.
 148 Nature Park Way
 Winnipeg, MB, Canada R3P 0X7
 204-786-8080

NO.	REVISIONS	DATE	DESIGN	CHECK
00	ISSUED FOR TENDER	2010/10/01	TMC	CJR

DESIGNED BY: T. CHURCH	CHECKED BY: C. REIMER
DRAWN BY: S. COATES	APPROVED BY: C. REIMER
SCALE: N.T.S.	DATE: 2010/03/24
RELEASED FOR CONSTRUCTION	
BY: J. VEILLEUX	DATE: 2010/10/01
CONSULTANT NO.: 112577-0112-48DD-0202	

ENGINEER'S SEAL

ORIGINAL DRAWING
 SEALED BY:
 T. CHURCH
 SNC-LAVALIN INC.
 2010/10/01
 REV. 00

THE CITY OF WINNIPEG
 WATER AND WASTE DEPARTMENT

SOUTH END WATER POLLUTION CONTROL CENTRE
 HEADWORKS UPGRADES
 INSTRUMENT LOOP DIAGRAM
 G127 AND G128 DEWATERING VALVES

CITY DRAWING NUMBER	SHEET	REV.	SIZE
1-0102G-A0081	001	00	B