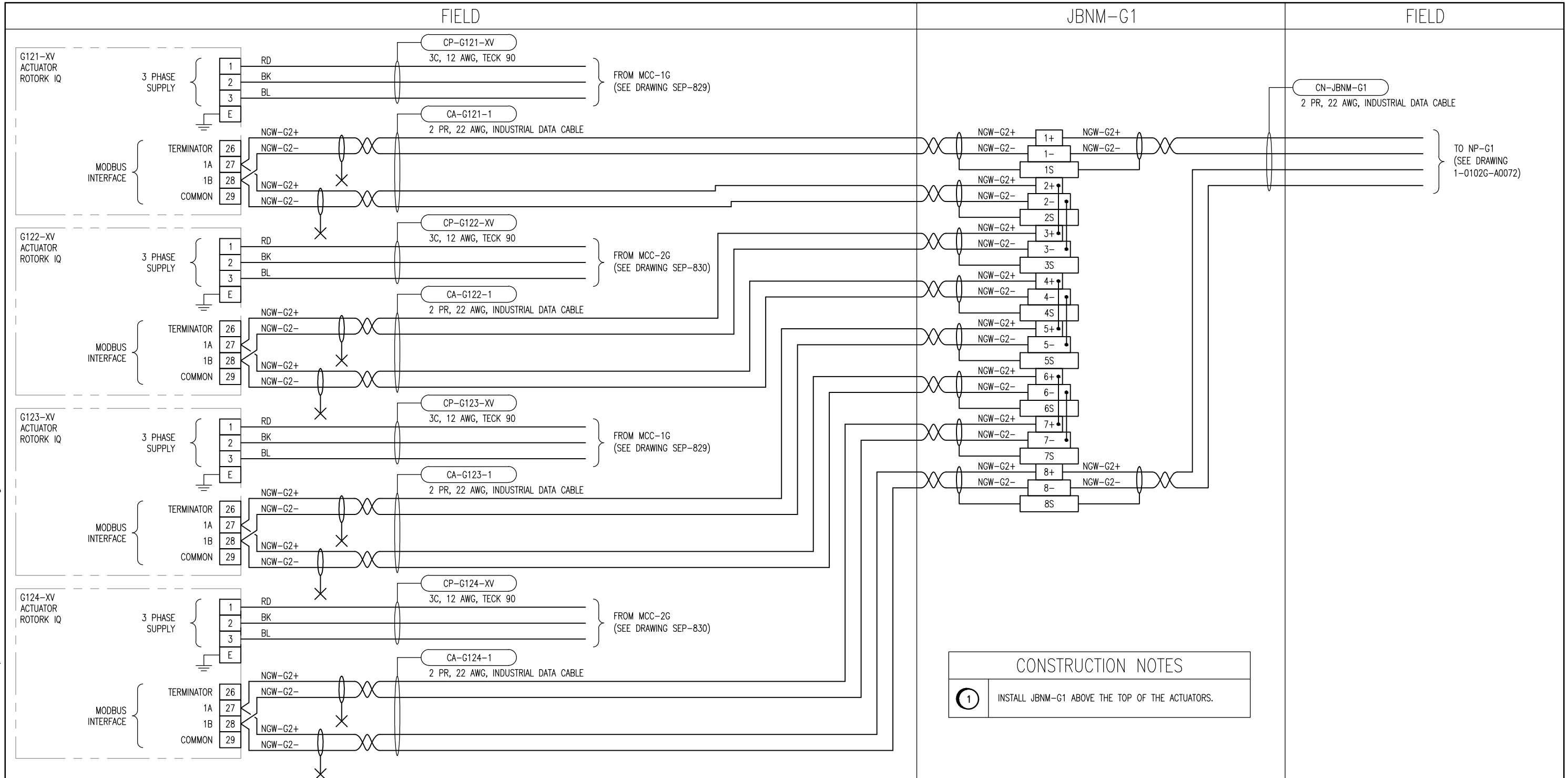


B SIZE - 279mm x 432mm

LAST SAVE: 2010/10/05 - 11:46am  
 PATH: M:\112577\0112\4ENG\481&C\DD - General DWG\1-0102G-A0083-001-00.dwg



**CONSTRUCTION NOTES**

1. INSTALL JBNM-G1 ABOVE THE TOP OF THE ACTUATORS.

**NOTES:**

1. SEE DRAWING 1-0102G-A0089 FOR JUNCTION BOX LAYOUT.



**SNC-LAVALIN INC.**  
 148 Nature Park Way  
 Winnipeg, MB, Canada R3P 0X7  
 204-786-8080

ENGINEER'S SEAL

ORIGINAL DRAWING SEALED BY:  
 T. CHURCH  
 SNC-LAVALIN INC.  
 2010/10/01  
 REV. 00

DESIGNED BY: T. CHURCH  
 CHECKED BY: C. REIMER  
 DRAWN BY: S. COATES  
 APPROVED BY: C. REIMER  
 SCALE: N.T.S.  
 DATE: 2010/03/10  
 RELEASED FOR CONSTRUCTION BY: J. VEILLEUX DATE: 2010/10/01  
 CONSULTANT NO.: 112577-0112-48DD-0204

**THE CITY OF WINNIPEG**  
 WATER AND WASTE DEPARTMENT

**Winnipeg**

SOUTH END WATER POLLUTION CONTROL CENTRE  
 HEADWORKS UPGRADES  
 INSTRUMENT LOOP DIAGRAM  
 RAW SEWAGE PUMP SUCTION VALVE ACTUATORS  
 G121-XV, G122-XV, G123-XV AND G124-XV

CITY DRAWING NUMBER	SHEET	REV.	SIZE
1-0102G-A0083	001	00	B

NO.	REVISIONS	DATE	DESIGN	CHECK
00	ISSUED FOR TENDER	2010/10/01	TMC	CJR