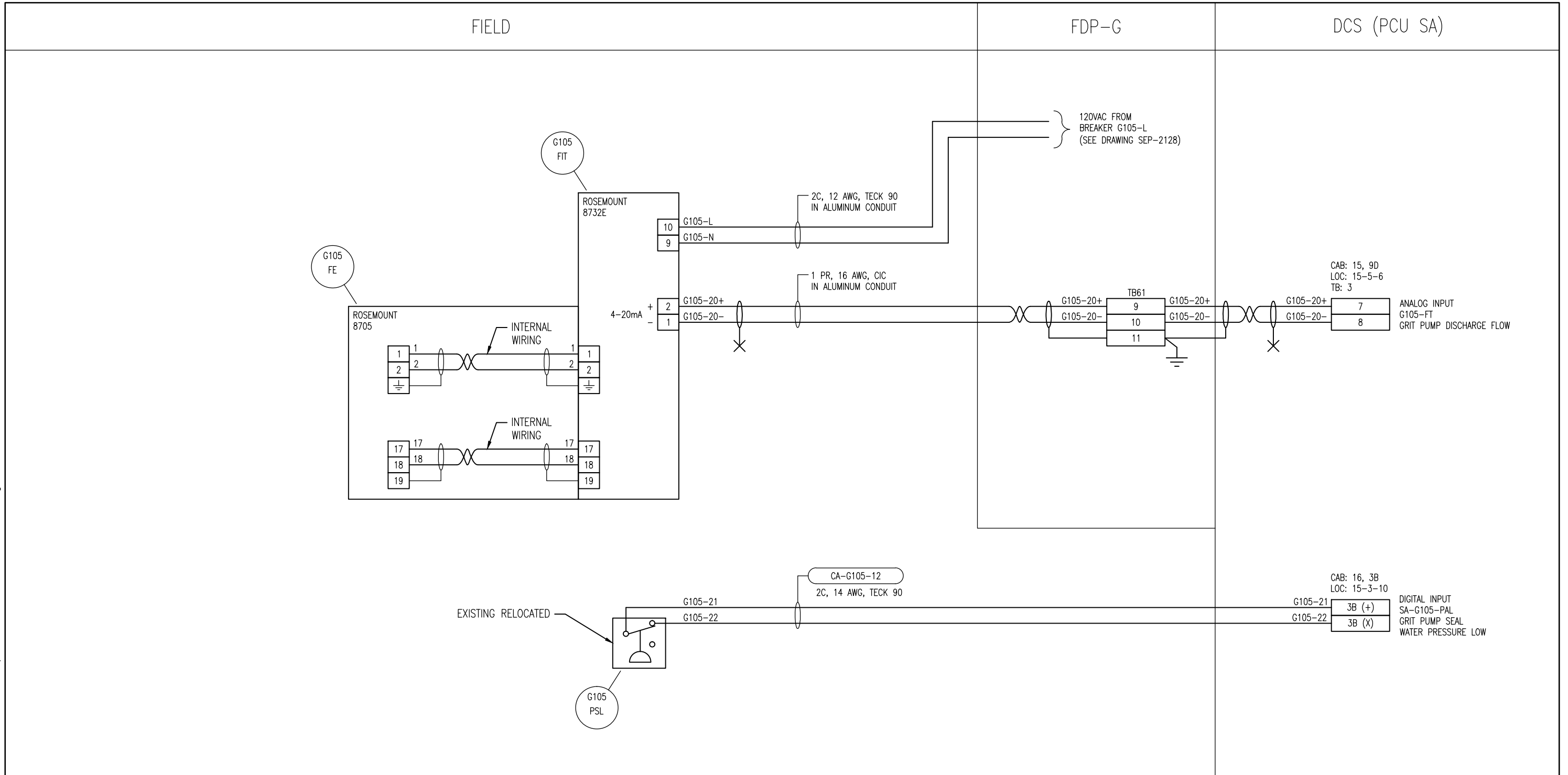


B SIZE - 279mm x 432mm

LAST SAVE: 2010/10/05 - 11:45am
 PATH: M:\112577\0112\4ENG\481&C\DD - General DWG\1-0102G-A0088-001-00.dwg



SNC-LAVALIN INC.
 148 Nature Park Way
 Winnipeg, MB, Canada R3P 0X7
 204-786-8080

ENGINEER'S SEAL

ORIGINAL DRAWING
 SEALED BY:
 T. CHURCH
 SNC-LAVALIN INC.
 2010/10/01
 REV. 00

DESIGNED BY: T. CHURCH
 CHECKED BY: C. REIMER
 DRAWN BY: S. COATES
 APPROVED BY: C. REIMER
 SCALE: N.T.S.
 DATE: 2010/08/18
 RELEASED FOR CONSTRUCTION
 BY: J. VEILLEUX
 DATE: 2010/10/01
 CONSULTANT NO.: 112577-0112-48DD-0205

THE CITY OF WINNIPEG
 WATER AND WASTE DEPARTMENT

**SOUTH END WATER POLLUTION CONTROL CENTRE
 HEADWORKS UPGRADES
 INSTRUMENTATION LOOP DIAGRAM
 GRIT PUMP PIPING
 LOOP G105**

CITY DRAWING NUMBER	SHEET	REV.	SIZE
1-0102G-A0088	001	00	B

NO.	REVISIONS	DATE	DESIGN	CHECK
00	ISSUED FOR TENDER	2010/10/01	TMC	CJR