

EXTERIOR PANEL VIEW
SCALE: 1 : 2

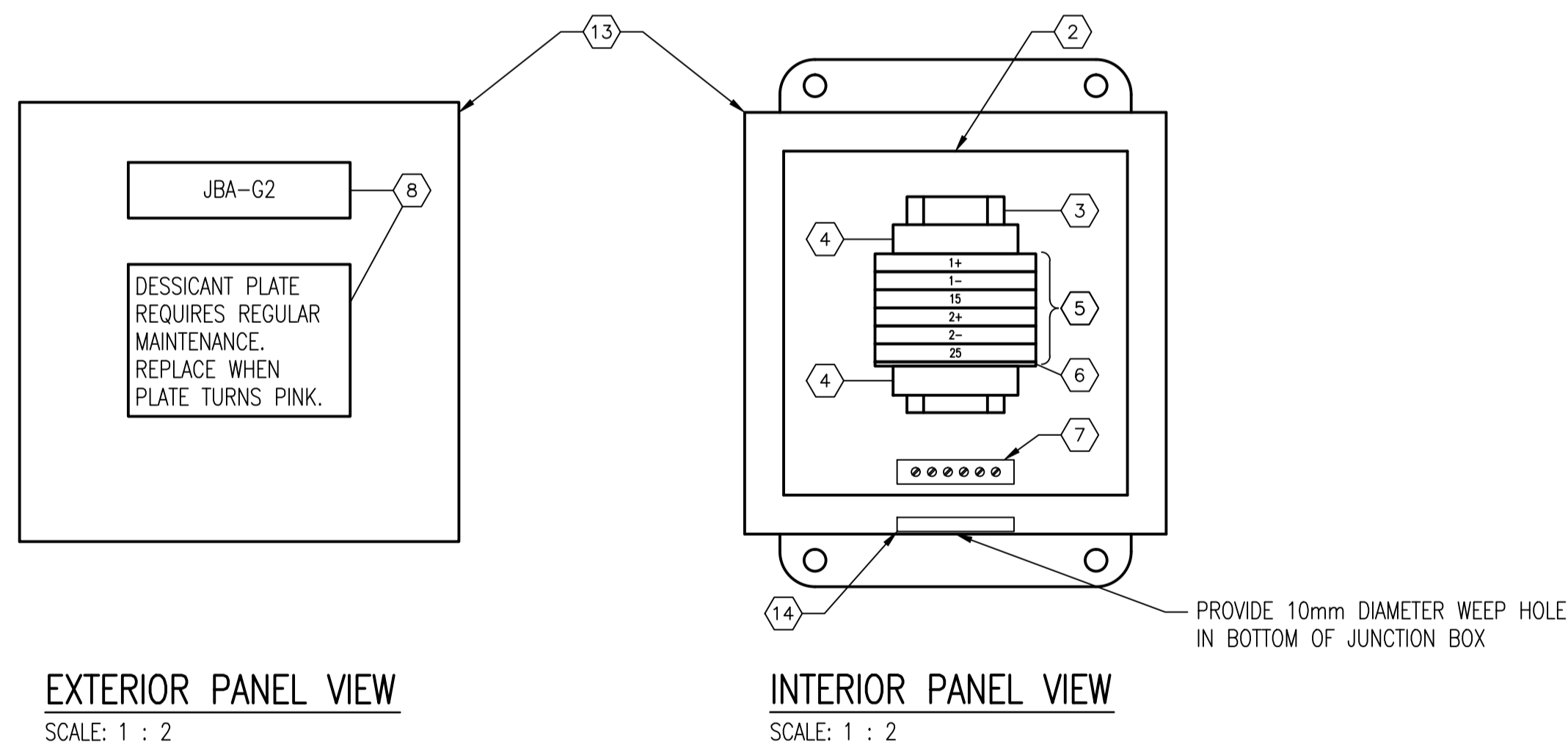
INTERIOR PANEL VIEW
SCALE: 1 : 2

TYPE 1 - (JBA-G1, JBA-S61)

BILL OF MATERIAL (PER JB)				
ITEM	QTY	DESCRIPTION	MANUFACTURER	CATALOG NUMBER
1	AS REQ'D	JUNCTION BOX, NEMA 4, 152x152x102mm	HOFFMAN	A606CHNF
2	AS REQ'D	BACK PLATE FOR ITEM 1, 13	HOFFMAN	A6P6
3	AS REQ'D	35mm DIN RAIL	PHOENIX CONTACT	0801733
4	AS REQ'D	TERMINAL END CLAMP	PHOENIX CONTACT	1201442
5	AS REQ'D	FEED-THROUGH TERMINAL	PHOENIX CONTACT	3046184
6	AS REQ'D	TERMINAL END PLATE, FEED-THROUGH TERMINAL	PHOENIX CONTACT	3047141
7	AS REQ'D	GROUND BAR, 6 TAPS	ILSCO	D167-6
8	AS REQ'D	LAMACOID, 5mm HIGH BLACK TEXT ON WHITE BACKGROUND	-	-
9	1	JUNCTION BOX, NEMA 4 254x203x102mm	HOFFMAN	A1008CHNF
10	1	BACK PLATE FOR ITEM 29	HOFFMAN	A10P8
11	AS REQ'D	THREE LEVEL TERMINAL BLOCK	PHOENIX CONTACT	2715979
12	AS REQ'D	TERMINAL END PLATE, THREE LEVEL TERMINAL	PHOENIX CONTACT	1413285
13	1	JUNCTION BOX, NEMA 4X, FIBERGLASS 152x152x102mm	HOFFMAN	A664CH5CFG
14	AS REQ'D	DESSICANT-FILLED PLATE, 65mm DIAMETER	COLE PARMER	RK-07193-95

①

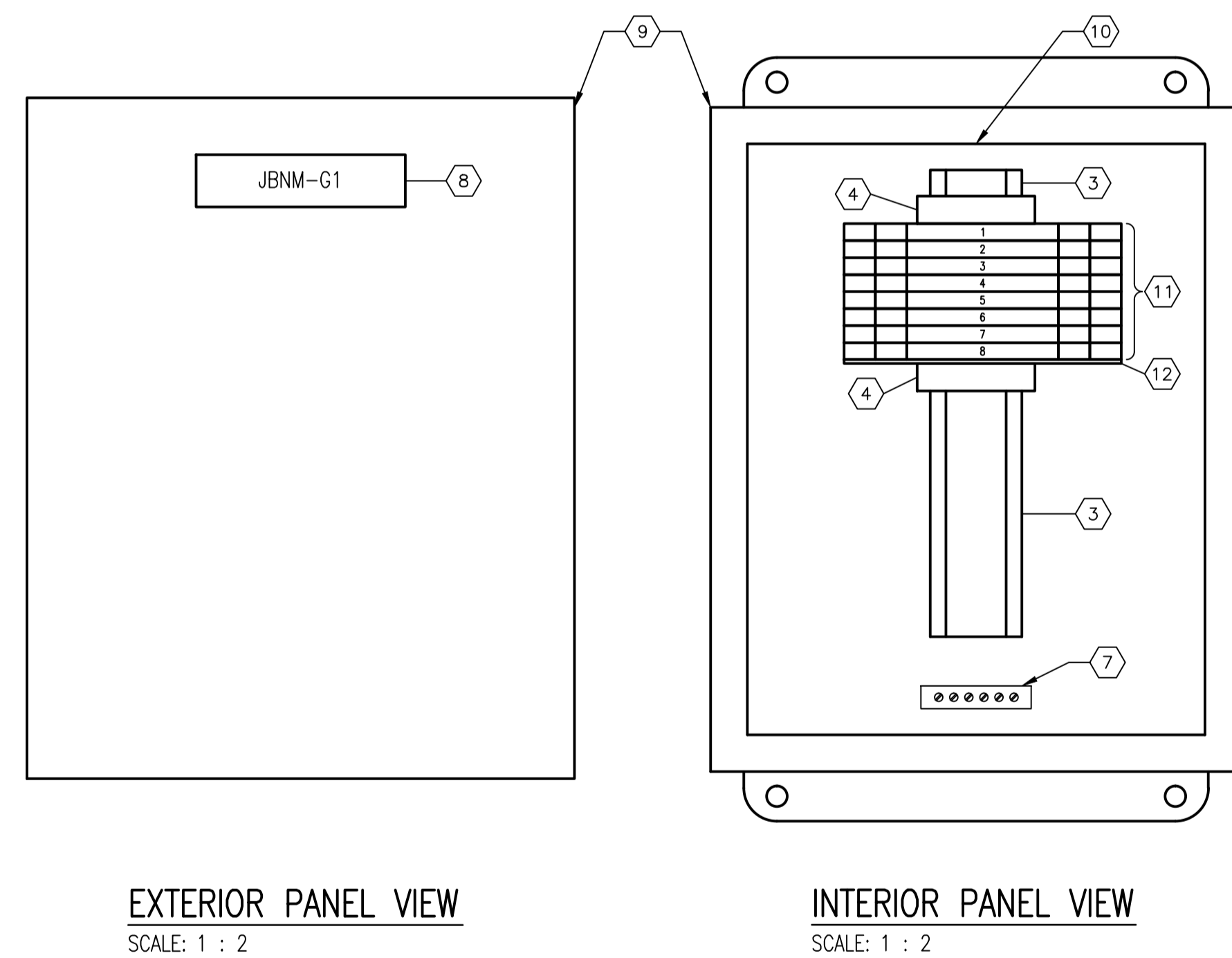
CONSTRUCTION NOTES	
①	SHIP DESSICANT PLATES TO SITE IN ORIGINAL PACKAGING TAPED TO INSIDE OF JUNCTION BOX.



EXTERIOR PANEL VIEW
SCALE: 1 : 2

INTERIOR PANEL VIEW
SCALE: 1 : 2

TYPE 2 - (JBA-G2)



EXTERIOR PANEL VIEW
SCALE: 1 : 2

INTERIOR PANEL VIEW
SCALE: 1 : 2

TYPE 3 - (JBNM-G1)



DESIGNED BY: T. CHURCH DRAWN BY: S. COATES SCALE: 1:2 DATE: 2010/09/17	CHECKED BY: C. REIMER APPROVED BY: C. REIMER RELEASED FOR CONSTRUCTION BY: J. VEILLEUX DATE: 2010/10/01	ENGINEER'S SEAL ORIGINAL DRAWING SEALED BY: T. CHURCH SNC-LAVALIN INC. 2010/10/01 REV. 00	SNC-LAVALIN INC. 148 Nature Park Way Winnipeg, MB, Canada R3P 0X7 204-786-8080	THE CITY OF WINNIPEG WATER AND WASTE DEPARTMENT SOUTH END WATER POLLUTION CONTROL CENTRE HEADWORKS UPGRADES TYPICAL PANEL LAYOUT FIELD DEVICE JUNCTION BOXES