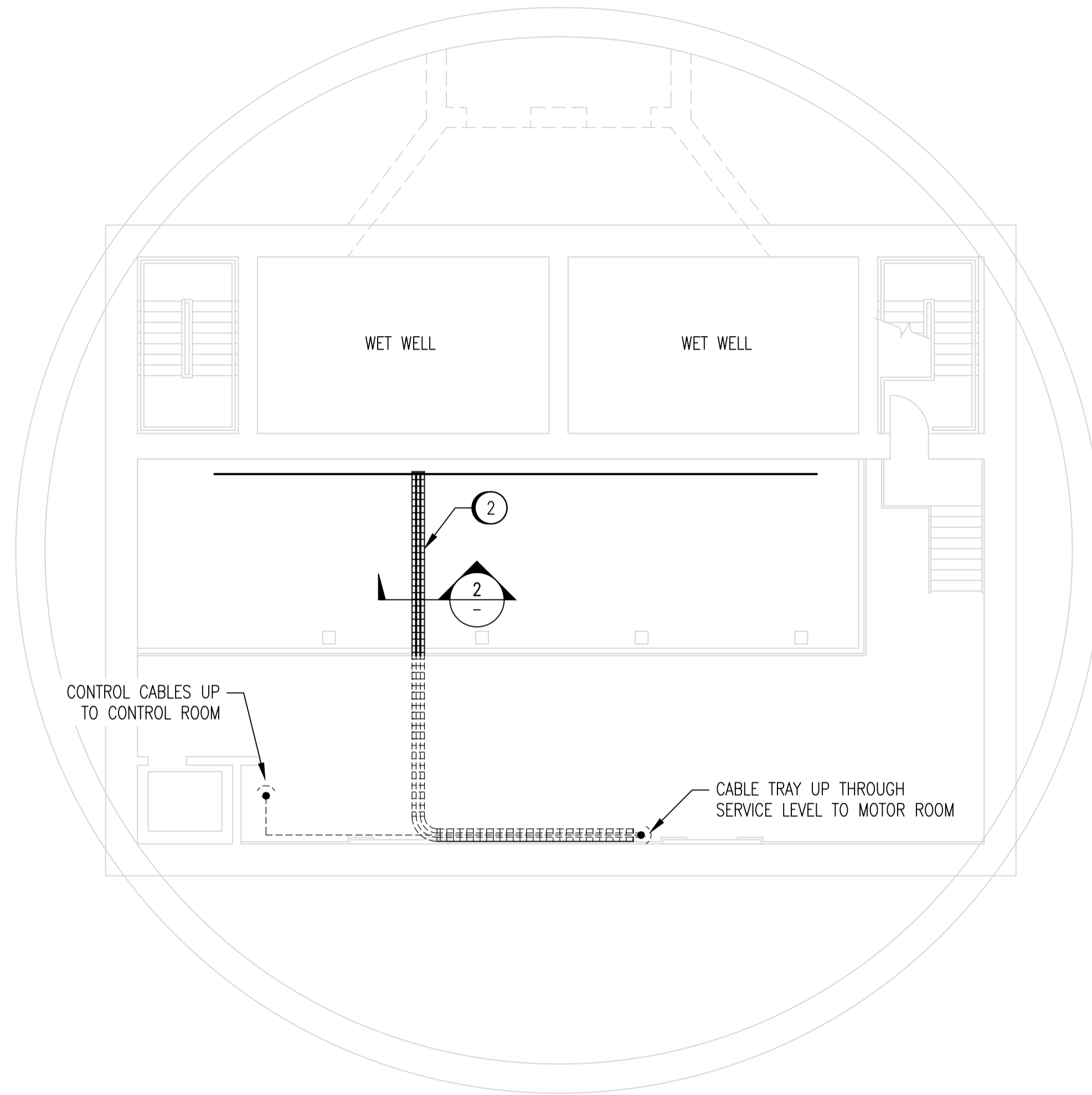


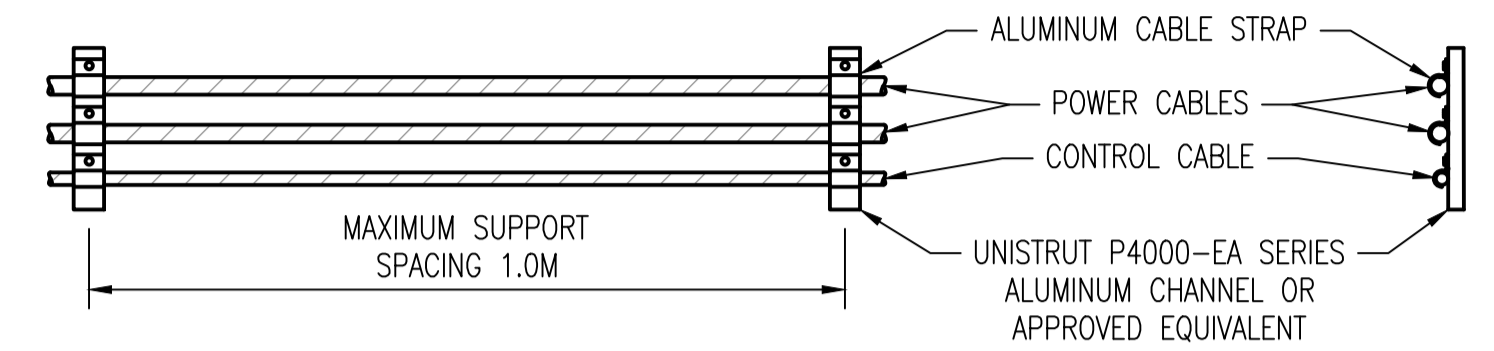
**LOWER LEVEL**  
SCALE: 1 : 100

**NOTES:**

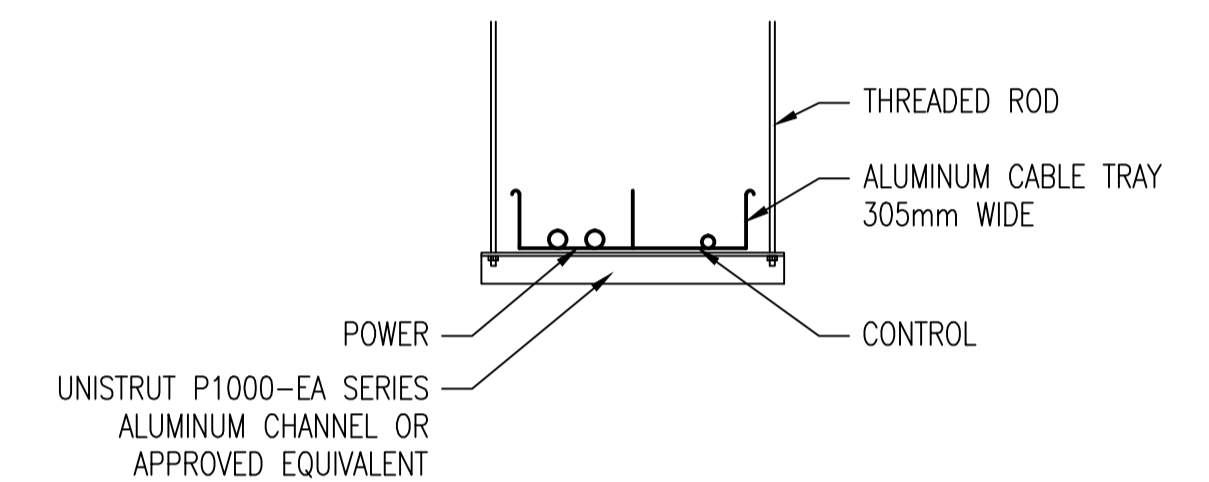
1. NOT ALL THE CABLES ARE SHOWN.
2. CONDUCTORS IN TRAY ARE DE-RATED TO ALLOW NO SPACING REQUIREMENTS BETWEEN CABLES.



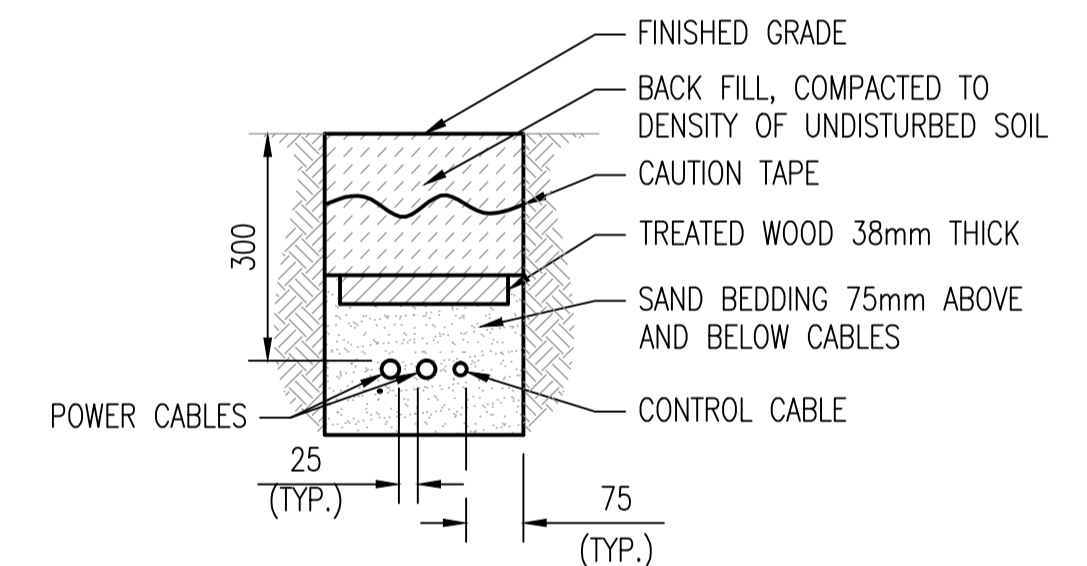
**DRY WELL - SERVICE LEVEL**  
SCALE: 1 : 100



**1 TYPICAL CABLE WALL MOUNTING DETAIL**  
SCALE: 1 : 10



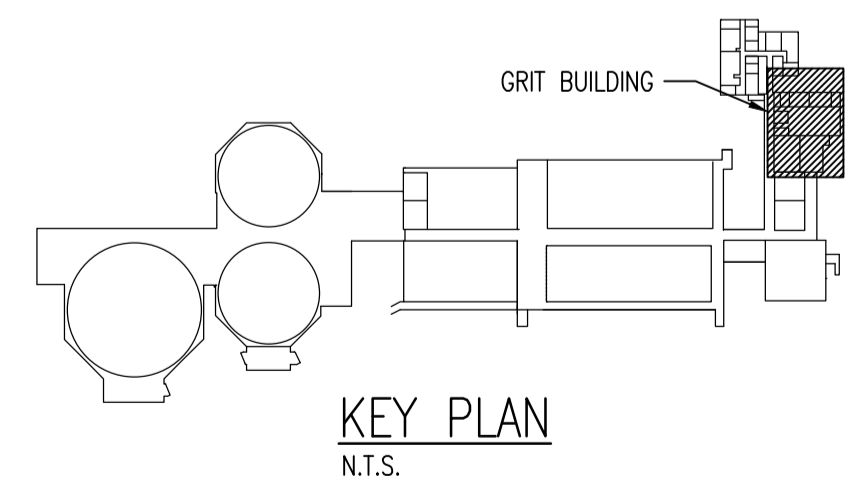
**2 TYPICAL CABLE TRAY DETAIL**  
SCALE: 1 : 10



**3 TYPICAL TRENCH DETAIL**  
SCALE: 1 : 10

**CONSTRUCTION NOTES**

- 1 THE LOCATION OF THE CABLE TRAY IS APPROXIMATE. INSPECT THE ROUTE AND INSTALL AS REQUIRED. APPROVAL OF THE CONTRACT ADMINISTRATOR IS REQUIRED PRIOR TO MAKING ROUTE MODIFICATIONS.
- 2 HANG FROM BOTTOM OF BEAM. DO NOT DRILL THROUGH STEEL EMBEDDED IN CONCRETE.



NO.	REVISIONS	DATE	DESIGN	CHECK
00	ISSUED FOR TENDER	2010/10/01	TMC	CJR

		SNC-LAVALIN INC. 148 Nature Park Way Winnipeg, MB, Canada R3P 0X7 204-798-8080	
DESIGNED BY:	T. CHURCH	CHECKED BY:	C. REIMER
DRAWN BY:	S. COATES	APPROVED BY:	C. REIMER
SCALE:	1:100	RELEASED FOR CONSTRUCTION BY:	J. VEILLEUX
DATE:	2010/03/11	DATE:	2010/10/01
CONSULTANT NO.:	112577-0112-47DD-0003		

ENGINEER'S SEAL  
  
ORIGINAL DRAWING  
SEALED BY:  
T. CHURCH  
SNC-LAVALIN INC.  
2010/10/01  
REV. 00

**THE CITY OF WINNIPEG**  
 WATER AND WASTE DEPARTMENT  
**SOUTH END WATER POLLUTION CONTROL CENTRE**  
 HEADWORKS UPGRADES  
 CABLE TRAY AND CABLE ROUTING  
 GRIT BUILDING  
 CITY DRAWING NUMBER: **1-0102G-E0026**

SHEET	REV.	SIZE
001	00	A1