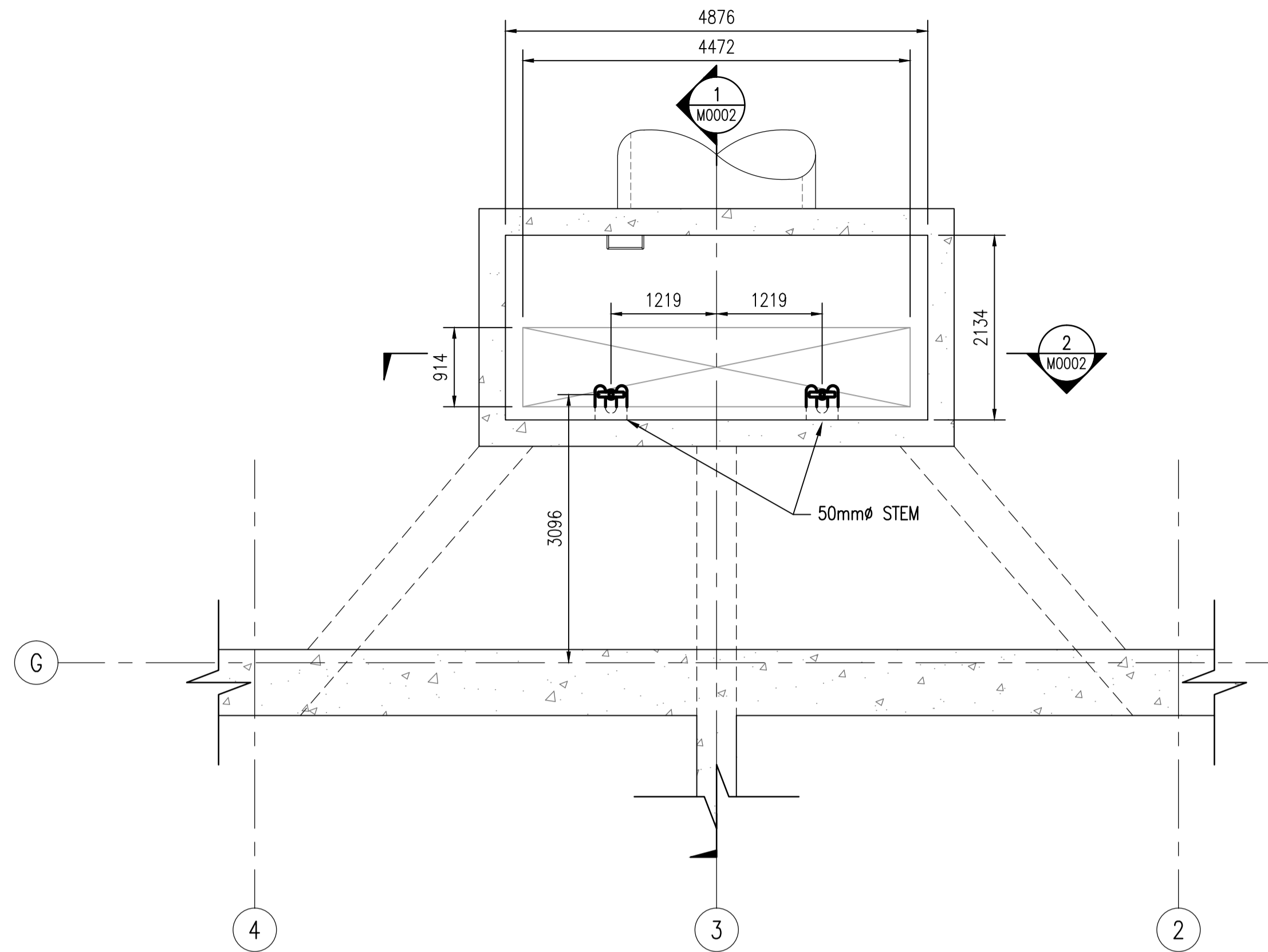
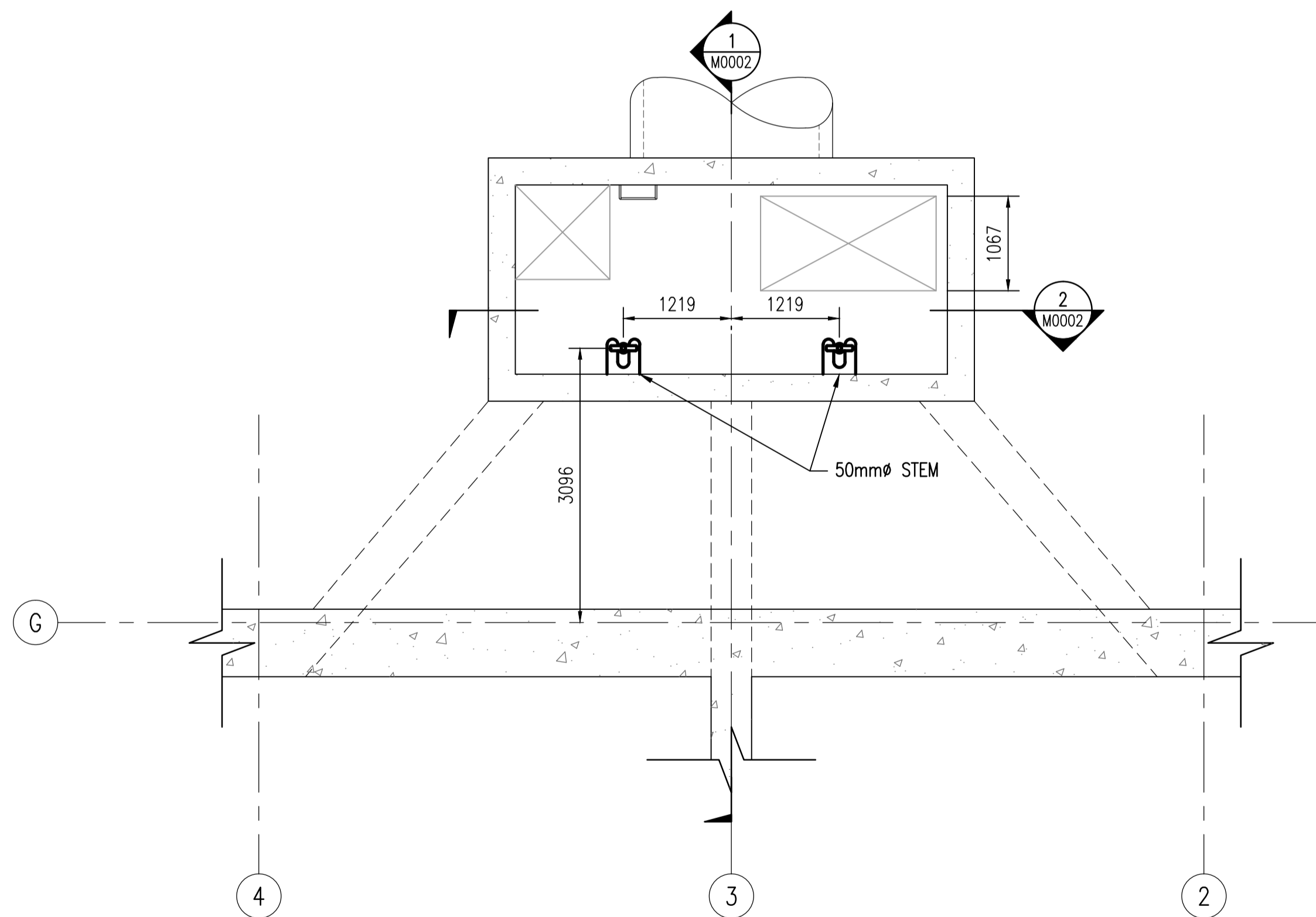


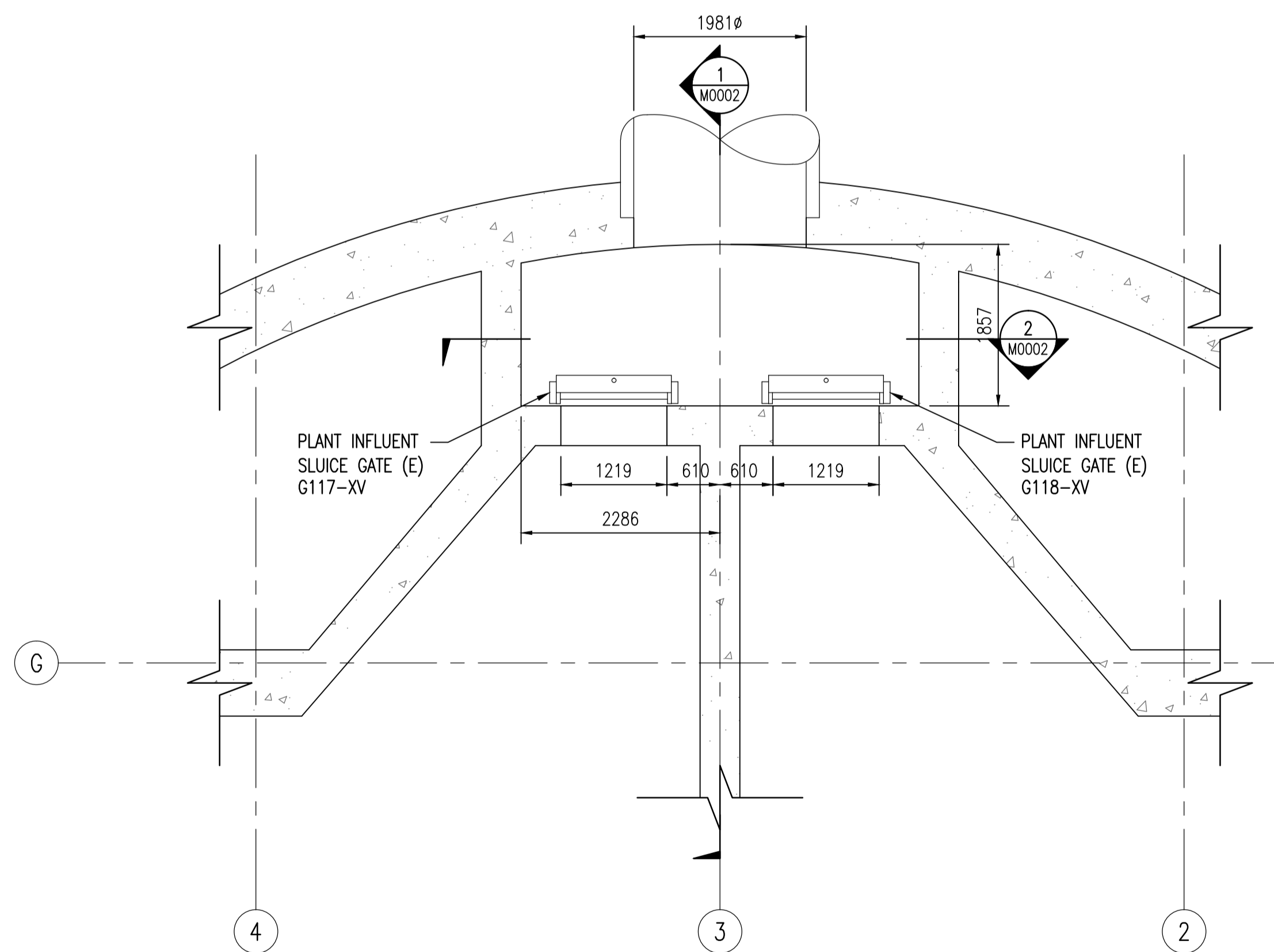
PLAN AT ELEV. 234.486  
SCALE: 1 : 50



PLAN AT ELEV. 225.857  
SCALE: 1 : 50



PLAN AT ELEV. 230.124  
SCALE: 1 : 50



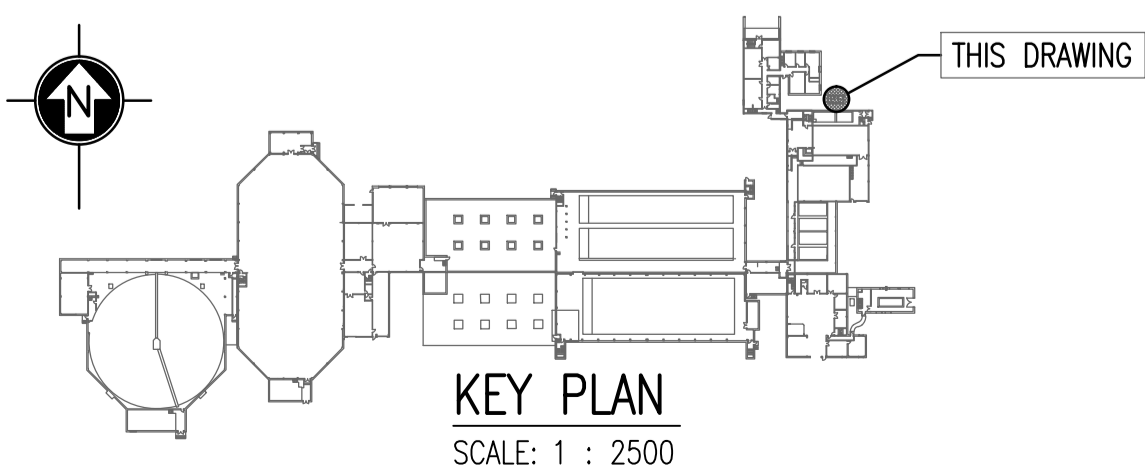
PLAN AT ELEV. 219.608  
SCALE: 1 : 50

**GENERAL NOTES:**

1. THESE NOTES ARE TO BE READ IN CONJUNCTION WITH THE PROJECT SPECIFICATION.
2. THE CONTRACTOR SHALL COMPLY WITH ALL HEALTH AND SAFETY REQUIREMENTS AND REGULATIONS FOR THE PROVINCE OF MANITOBA.
3. DO NOT SCALE DRAWINGS.
4. VERIFY ALL DIMENSIONS, ELEVATIONS AND EXTENT OF WORK WITH DRAWINGS AND REPORT ANY DISCREPANCIES OR CONFLICTS TO THE CONTRACT ADMINISTRATOR PRIOR TO PROCEEDING WITH CONSTRUCTION. DO NOT DIMENSION FROM ELECTRONIC DRAWINGS.
5. MODIFICATIONS, ALTERATIONS OR SUBSTITUTIONS MUST BE AUTHORIZED IN WRITING BY THE CONTRACT ADMINISTRATOR PRIOR TO ANY FABRICATION OR ERECTION.
6. EXISTING MANUAL AND ELECTRIC DRILL OPERATED GEARBOX AND ACCESSORIES (NOT SHOWN) ARE TO BE REMOVED AND TURNED OVER TO THE CITY. REFER TO DRAWINGS GA. 9768 AND GA. 9769.
7. CONTRACTOR SHALL FIELD VERIFY LOCATION OF CENTERS OF SLUICE GATE STEMS AND REPORT ANY DISCREPANCIES TO THE CONTRACT ADMINISTRATOR PRIOR TO PROCEEDING WITH CONSTRUCTION OF MECHANICAL OR STRUCTURAL WORK.
8. DESIGN LOADS ARE AS FOLLOWS:  
CRACKING THRUST = 99kN (22300lbf)  
ACTUATOR STALL THRUST = 237kN (53300lbf)  
MAX LOWERING THRUST TO BE LIMITED TO 89kN (20000lbf) BY ADJUSTING ACTUATOR TORQUE LIMITER.

**LEGEND:**

EXISTING: \_\_\_\_\_  
NEW/MOD: \_\_\_\_\_



KEY PLAN  
SCALE: 1 : 2500



SNC-Lavalin Inc.  
No. 4489

NO.	REVISIONS	DATE	DESIGN	CHECK
00	ISSUED FOR TENDER	2010/10/01	RPV	DC

 SNC-LAVALIN INC. 148 Nature Park Way Winnipeg, MB, Canada R3P 0X7 204-786-8080	
DESIGNED BY: R. VERCAIGNE	CHECKED BY: D. CROCKER
DRAWN BY: S. COATES	APPROVED BY: C. REIMER
SCALE: 1:50	RELEASED FOR CONSTRUCTION BY: J. VEILLEUX
DATE: 2009/12/01	DATE: 2010/10/01
CONSULTANT NO.: 112577-0112-45DD-0001	

ENGINEER'S SEAL  
  
ORIGINAL DRAWING  
SEALED BY:  
R. VERCAIGNE  
SNC-LAVALIN INC.  
2010/10/01  
REV. 00

THE CITY OF WINNIPEG  
 WATER AND WASTE DEPARTMENT  
 SOUTH END WATER POLLUTION CONTROL CENTRE  
 HEADWORKS UPGRADES  
 MECHANICAL PLANS  
 INFLUENT SLUICE GATE REFURBISHMENT  
 CITY DRAWING NUMBER: 1-0102G-M0001  
 SHEET: 001  
 REV.: 00  
 SIZE: A1