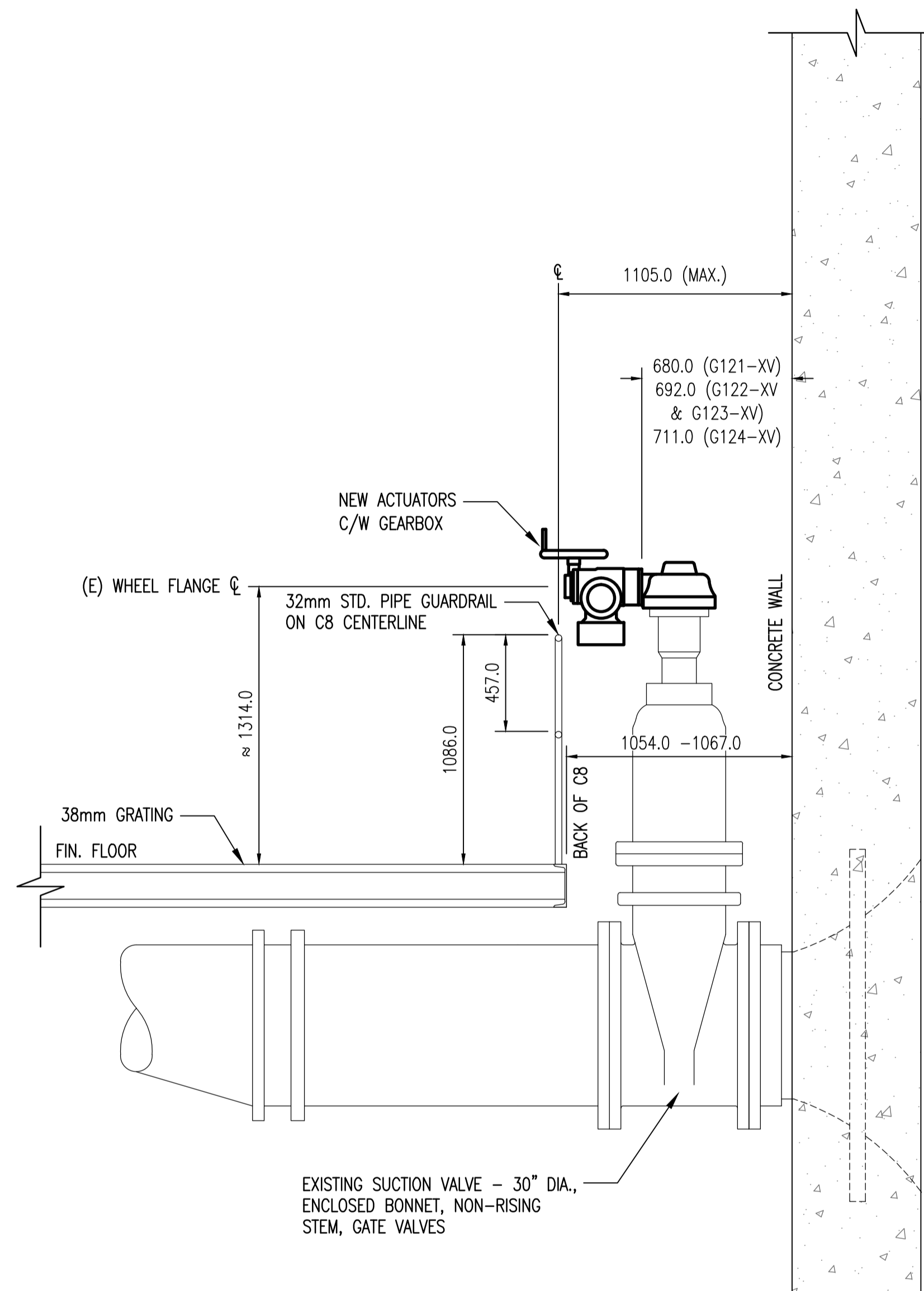


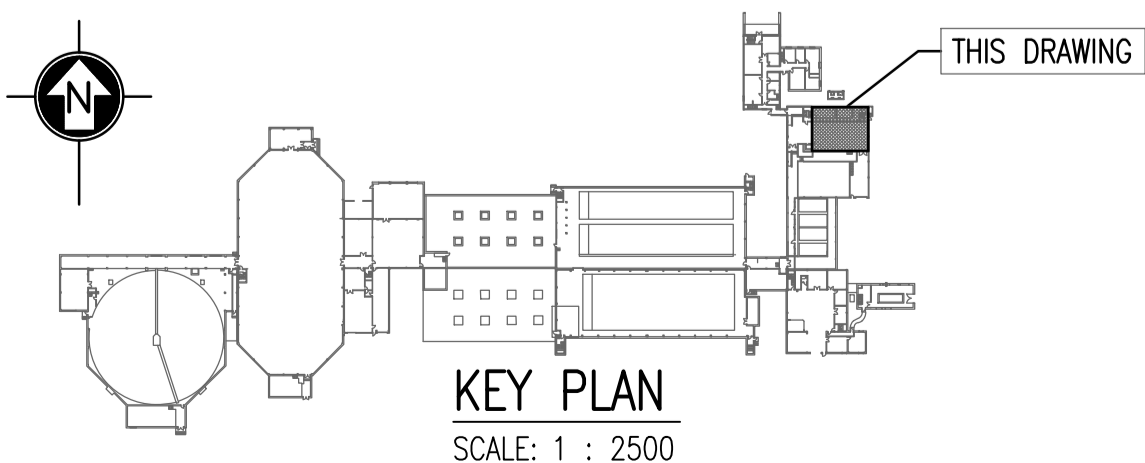
DRY WELL PLAN AT ELEV. 219.608
SCALE: 1 : 50



SECTION - SUCTION VALVE ACTUATOR
SCALE: 1 : 20

NOTES:

- 1 CONTRACTOR TO REMOVE EXISTING MANUAL GATE OPERATORS WITH "N" CONVERTO GEARING AND TURN OVER TO THE CITY. EXISTING MANUAL GEARBOXES ARE NOT SHOWN. REFER TO SHOP DRAWING (DWG. NO. MOH-S-6278) AND CONVERTO-GEAR OPERATORS MANUAL.
- 2 EXISTING MANUAL GEARBOXES ARE SIZE 4X, RATIO 4:1, 269 TURNS TO STROKE VALVE.
- 3 CONTRACTOR SHALL BE RESPONSIBLE FOR FIELD VERIFICATION OF MOUNTING DETAILS FOR EXISTING MANUAL OPERATORS AND COORDINATION OF MOUNTING ARRANGEMENTS FOR NEW ELECTRIC ACTUATORS.
- 4 CONTRACTOR SHALL SUPPLY AND INSTALL NEW ELECTRIC ACTUATORS COMPLETE WITH ALL ADAPTORS, COUPLERS AND HARDWARE REQUIRED FOR PROPER FIT AND OPERATION WITH EXISTING VALVES.



KEY PLAN
SCALE: 1 : 2500



NO.	REVISIONS	DATE	DESIGN	CHECK
00	ISSUED FOR TENDER	2010/10/01	DC	RPV

		SNC-LAVALIN INC. 148 Nature Park Way Winnipeg, MB, Canada R3P 0X7 204-786-8080	
DESIGNED BY:	D. CROCKER	CHECKED BY:	R. VERCAIGNE
DRAWN BY:	S. COATES	APPROVED BY:	C. REIMER
SCALE:	AS NOTED	RELEASED FOR CONSTRUCTION BY:	J. VEILLEUX
DATE:	2010/01/28	DATE:	2010/10/01
CONSULTANT NO.:		112577-0112-450D-0003	

ENGINEER'S SEAL

ORIGINAL DRAWING
SEALED BY:
R. VERCAIGNE
SNC-LAVALIN INC.
2010/10/01
REV. 00

THE CITY OF WINNIPEG
 WATER AND WASTE DEPARTMENT

SOUTH END WATER POLLUTION CONTROL CENTRE
 HEADWORKS UPGRADES
 PLAN & SECTION
 RAW SEWAGE PUMP SUCTION VALVE ACTUATOR

CITY DRAWING NUMBER	SHEET	REV.	SIZE
1-0102G-M0003	001	00	A1