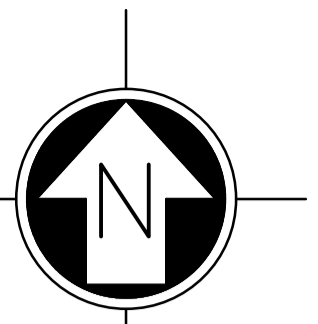
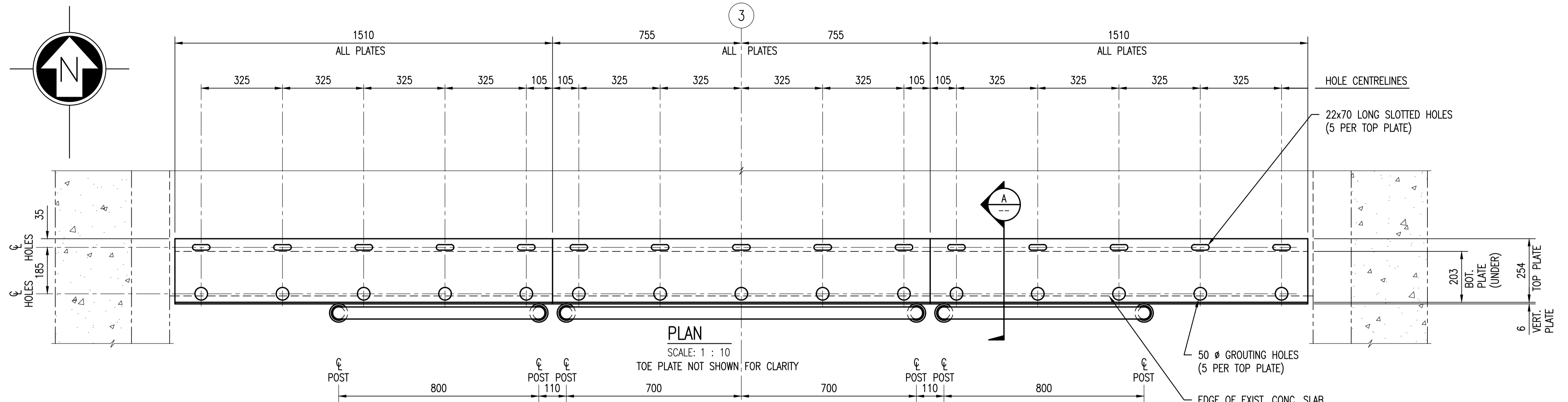


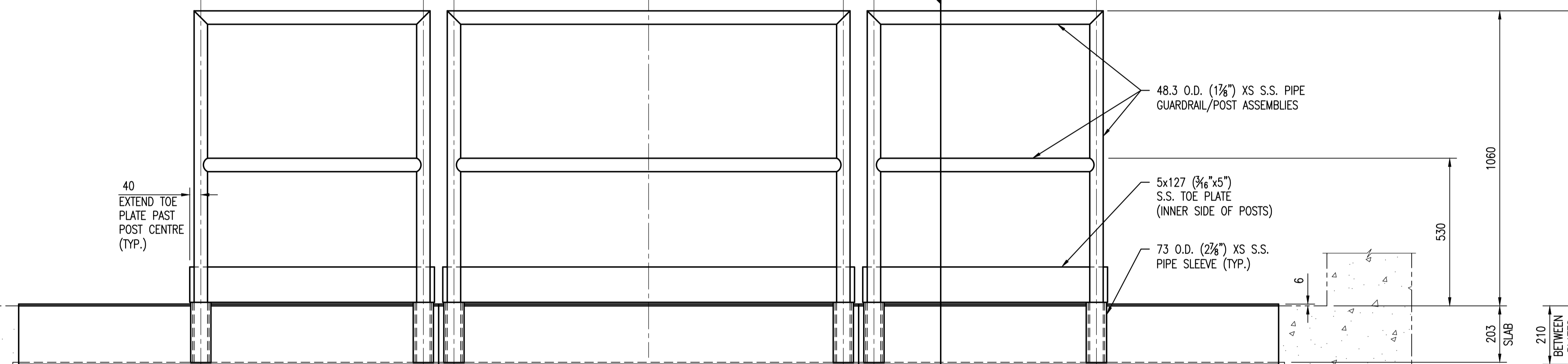
A1 SIZE - 594mm x 841mm



NOTES:
1. SEE DRAWING 1-0102G-S0010 & 1-0102G-S0011 FOR GENERAL NOTES.

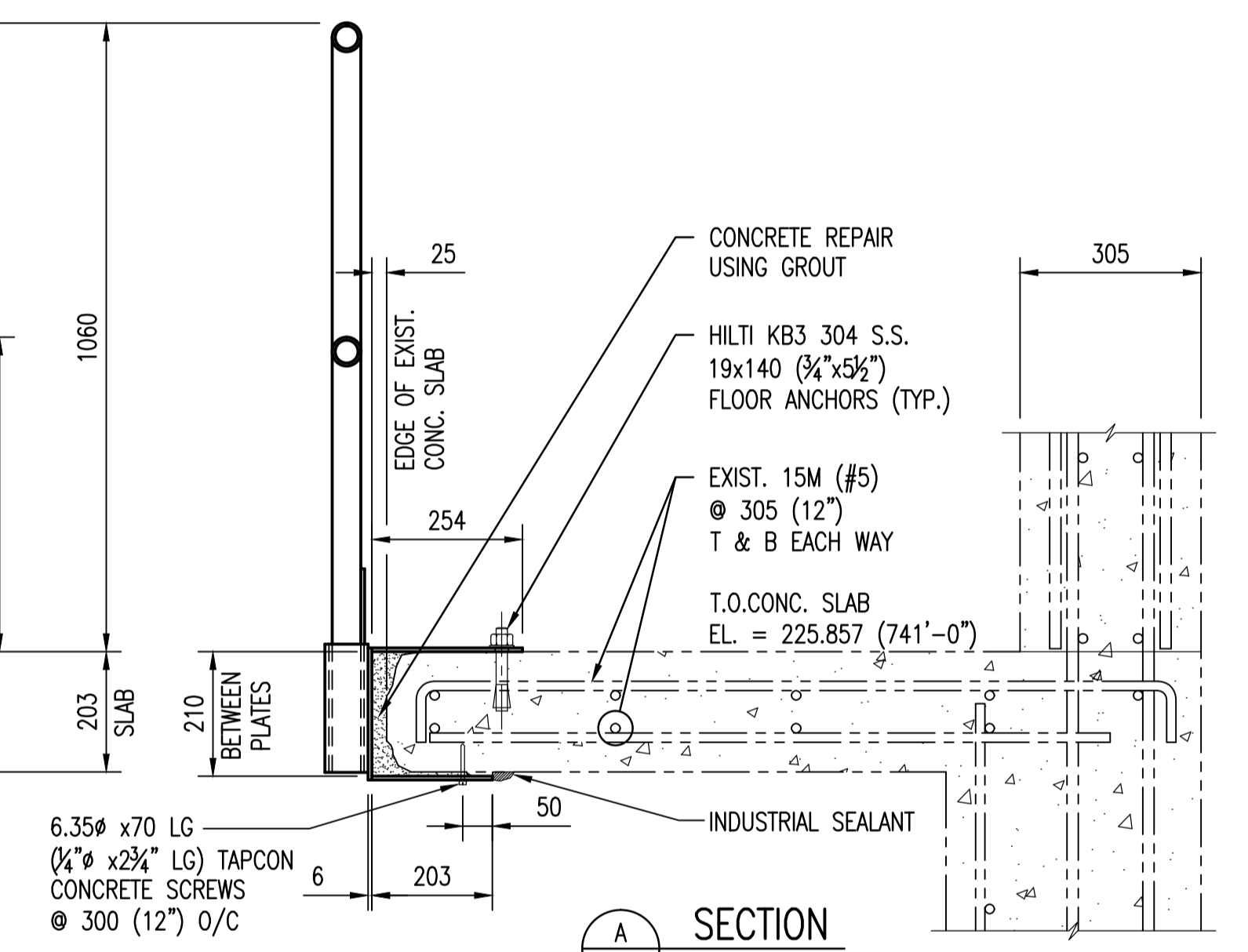


PLAN
SCALE: 1 : 10
TOE PLATE NOT SHOWN FOR CLARITY

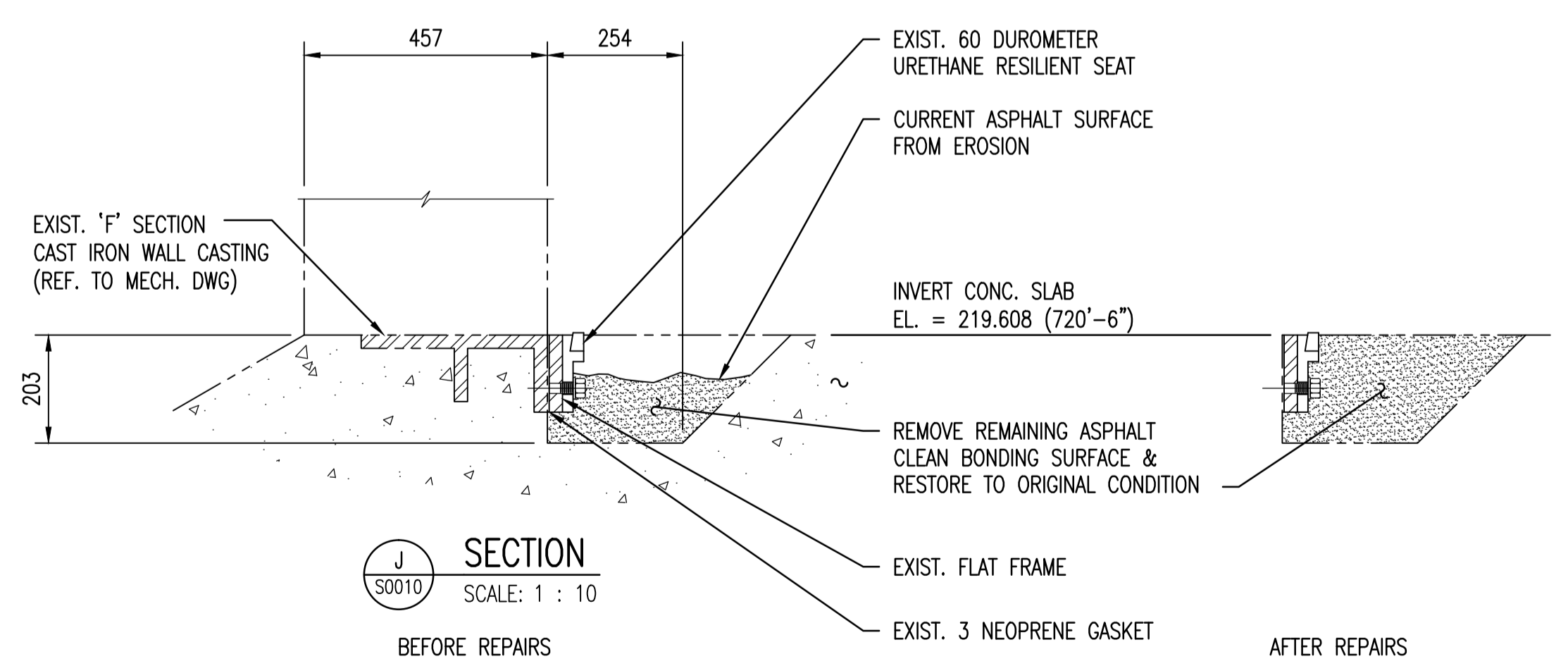


ELEVATION
SCALE: 1 : 10

1
S0011
DETAIL - PARTIAL GUARDRAIL ASSEMBLY
SCALE: 1 : 10



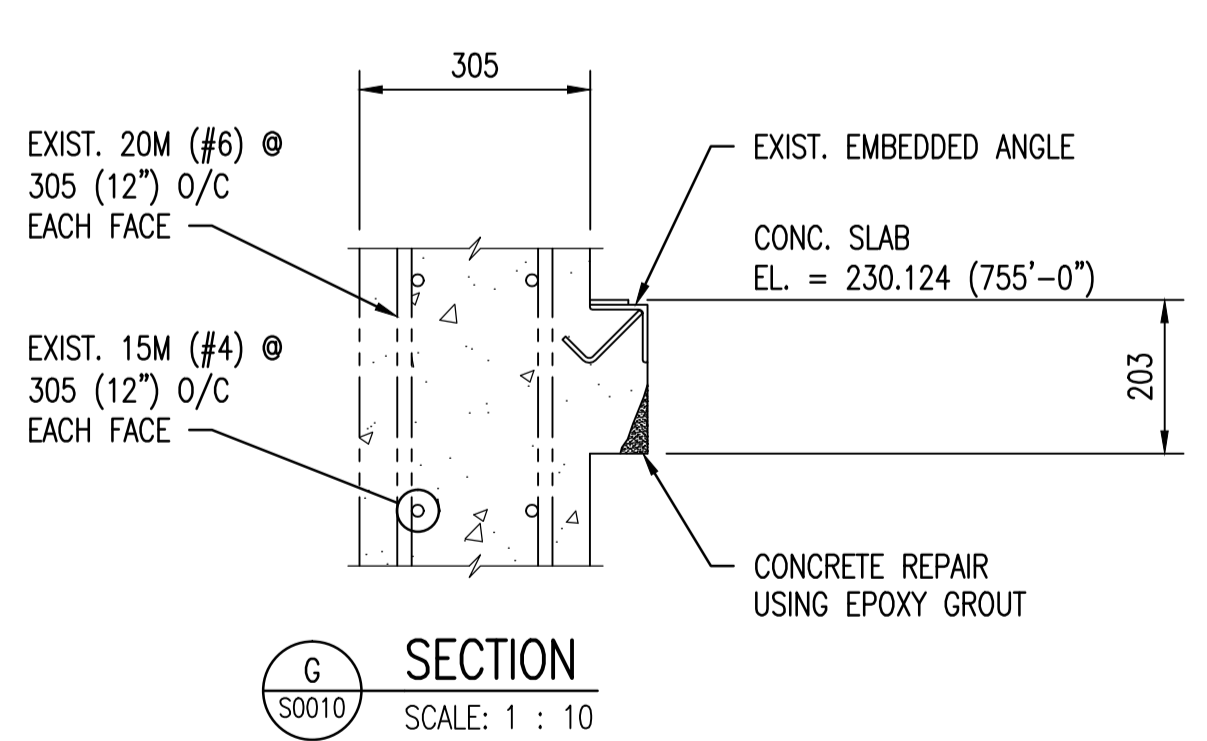
A
S0011
SECTION
SCALE: 1 : 10



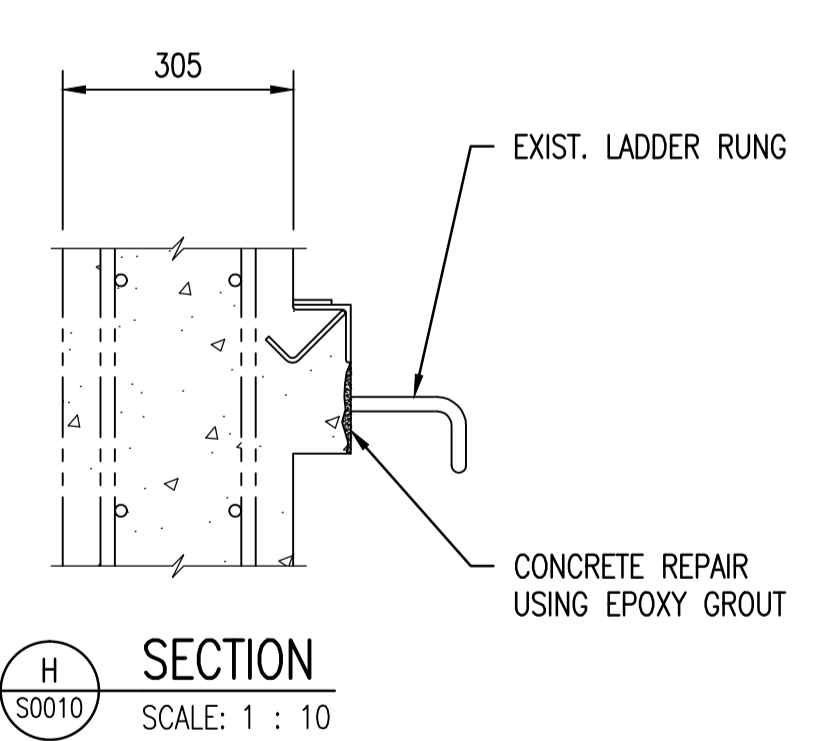
J
S0010
SECTION
SCALE: 1 : 10

BEFORE REPAIRS

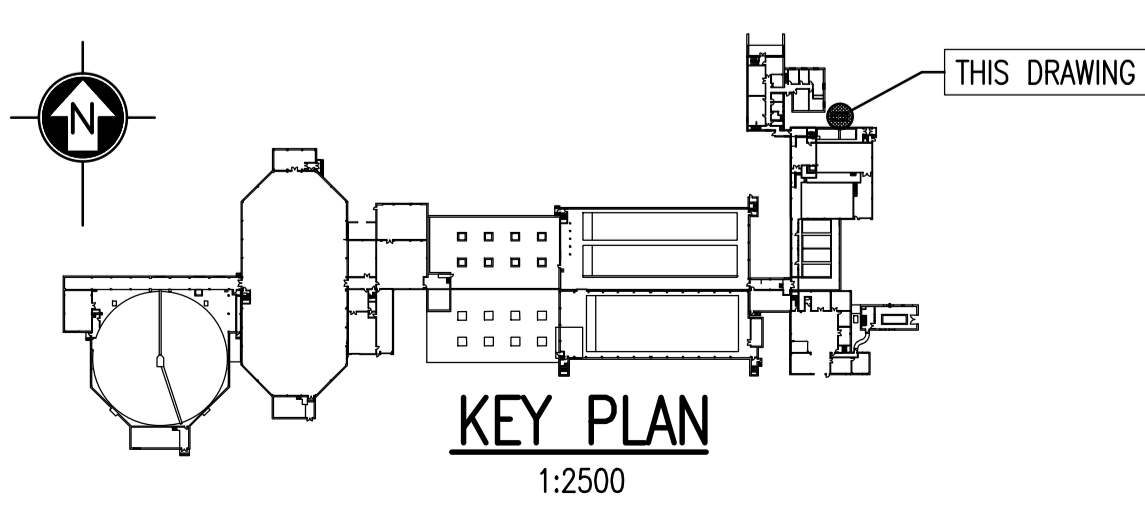
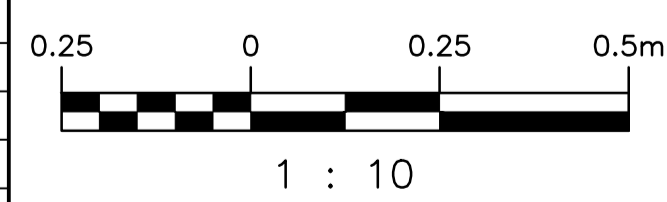
AFTER REPAIRS



G
S0010
SECTION
SCALE: 1 : 10



H
S0010
SECTION
SCALE: 1 : 10



KEY PLAN
1:2500

NO.	REVISIONS	DATE	DESIGN	CHECK
00	ISSUED FOR TENDER	2010/10/01	DSS	RCB

SNC-LAVALIN INC. 148 Nature Park Way Winnipeg, MB, Canada R3P 0X7 204-786-8080	
DESIGNED BY: D. S. SIDHU	CHECKED BY: R. C. BEAN
DRAWN BY: B. F. DICKSON	APPROVED BY: C. J. REIMER
SCALE: 1:10	RELEASED FOR CONSTRUCTION BY: J. VEILLEUX
DATE: 2009/12/21	DATE: 2010/10/01
CONSULTANT NO.: 112577-0112-42DD-0032	

ENGINEER'S SEAL

ORIGINAL DRAWING SEALED BY:
D. S. SIDHU
SNC-Lavalin Inc.
MEMBER #24837
2010/10/01
REV. 00

THE CITY OF WINNIPEG
WATER AND WASTE DEPARTMENT

SOUTH END WATER POLLUTION CONTROL CENTRE
HEADWORKS UPGRADES
PLAN, SECTIONS & DETAILS
INLET STRUCTURE

CITY DRAWING NUMBER: **1-0102G-S0012** SHEET: **001** REV: **00** SIZE: **A1**

LAST SAVE: 2010/10/01 - 1:40pm
PATH: M:\112577\0112\42DD\42STR.DWG - General DWG\1-0102G-S0012-001-00.DWG

DRAWING NUMBER	REFERENCE DRAWINGS
SEP-35	PUMP & SCREEN BLDG. STRUCTURAL CAST-IN-SITU ALT. SECTION
SEP-34	PUMP & SCREEN BLDG. STRUCTURAL CAST-IN-SITU ALTERNATIVE PLANS
SEP-29	PUMP & SCREEN BLDG. STRUCTURAL INTAKE STRUCTURAL DETAILS
SEP-21	PUMP & SCREEN BLDG. ARCH. FLOOR PLANS ELEV. 774',782',796'
SEP-20	PUMP & SCREEN BLDG. ARCH. FLOOR PLAN ELEV. 764' BLDG. ELEV'S.
SEP-19	PUMP & SCREEN BLDG. ARCH. FLOOR PLANS ELEV. 709',715',733',755'
SEP-03	STRUCT. TYP. PILE CAPS, CONCRETE DETAILS & GENERAL NOTES

1-0102G-S0012-001-00.DWG