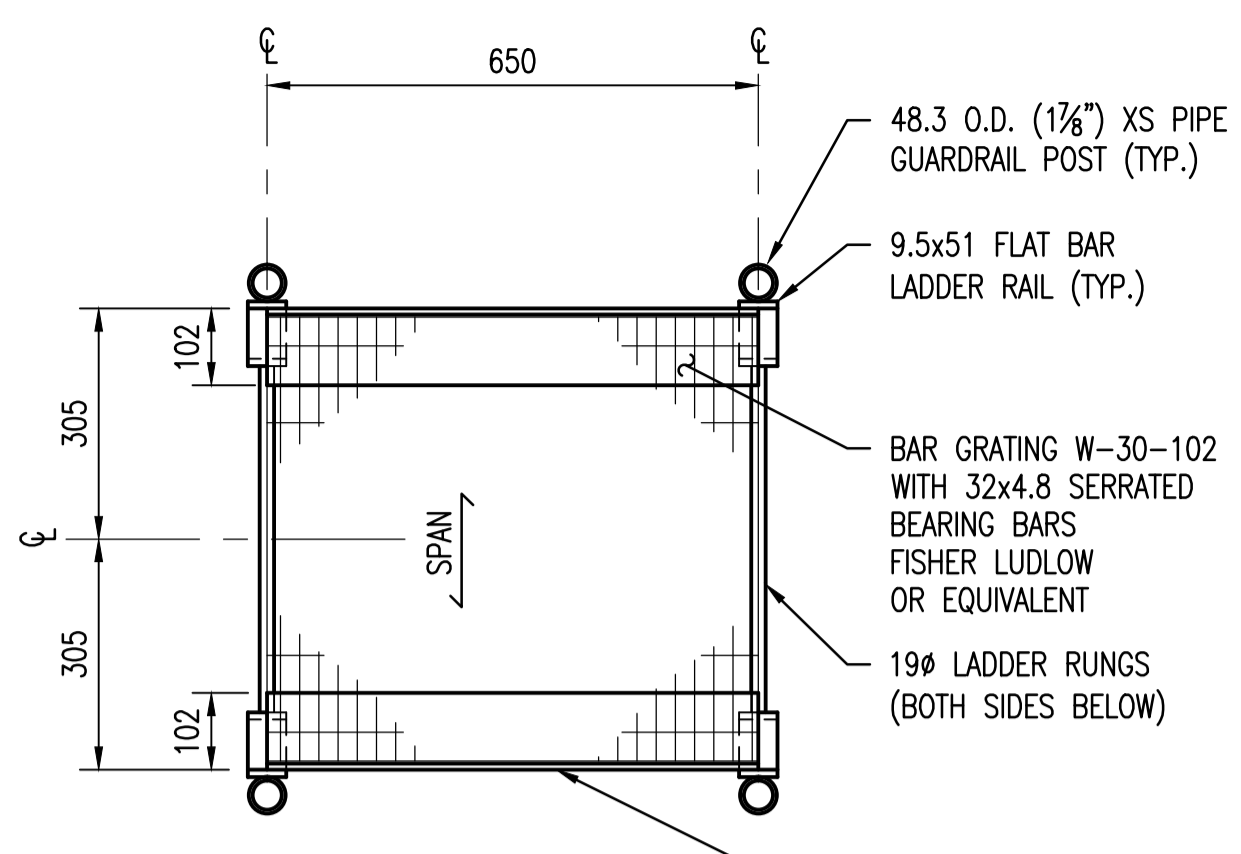
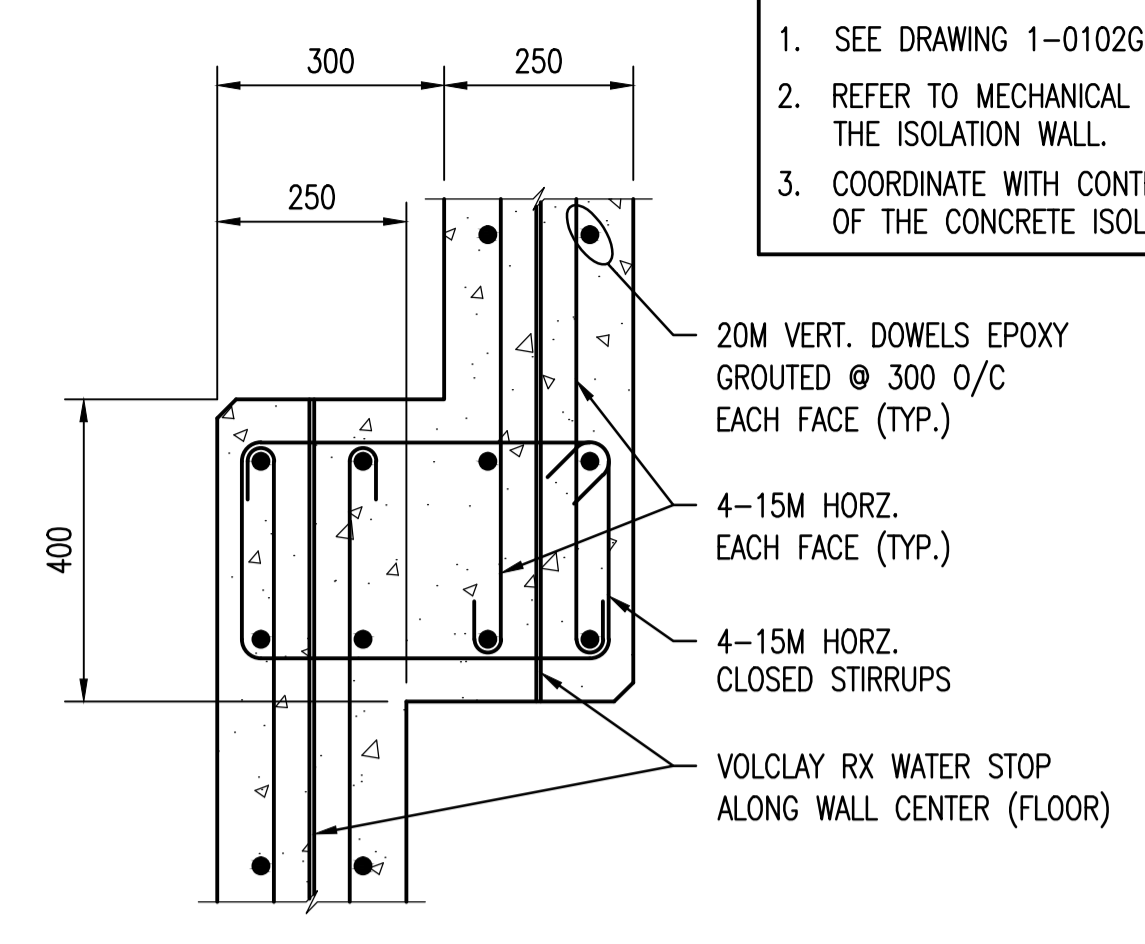


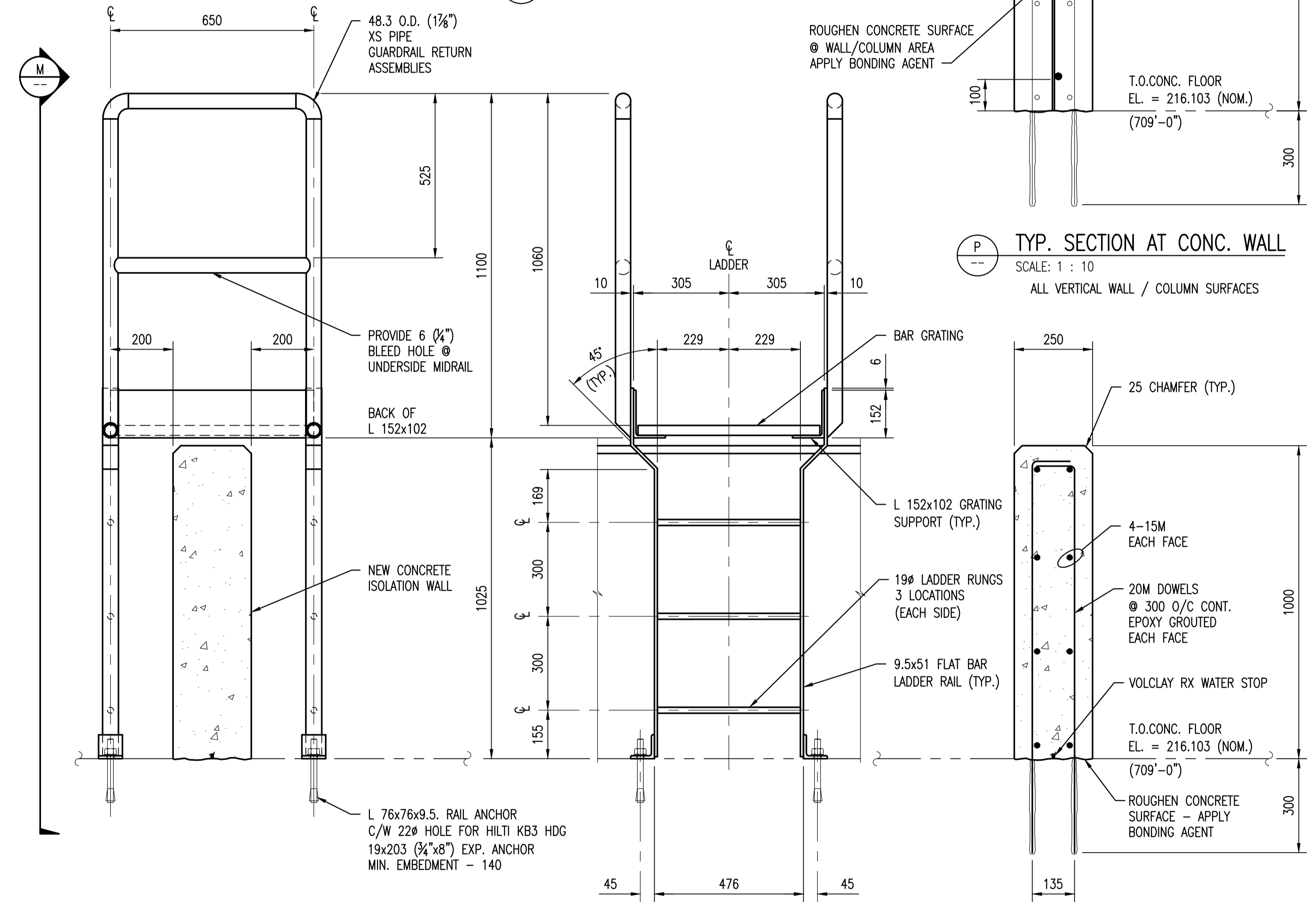
PLAN - PUMP & SCREEN BUILDING DRY & WET WELLS
SCALE: 1 : 75



PLAN @ LANDING
SCALE: 1 : 10



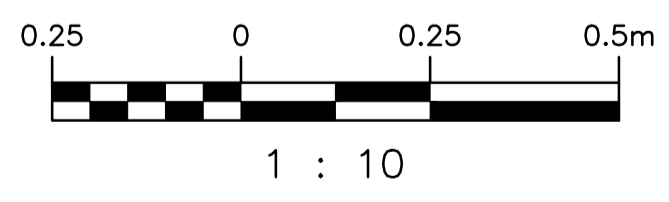
DETAIL - CRANKED WALL
SCALE: 1 : 10



DETAIL - LADDER CROSSOVER ASSEMBLY
SCALE: 1 : 10
2 ASSEMBLIES REQUIRED

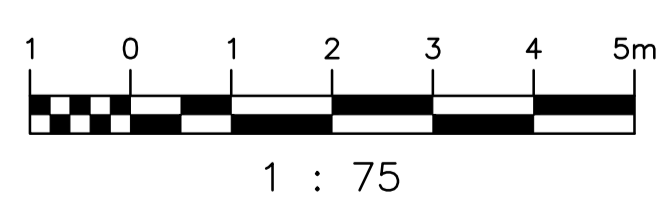
SECTION
SCALE: 1 : 10

TYP. SECTION CONC. ISOLATION WALL
SCALE: 1 : 10

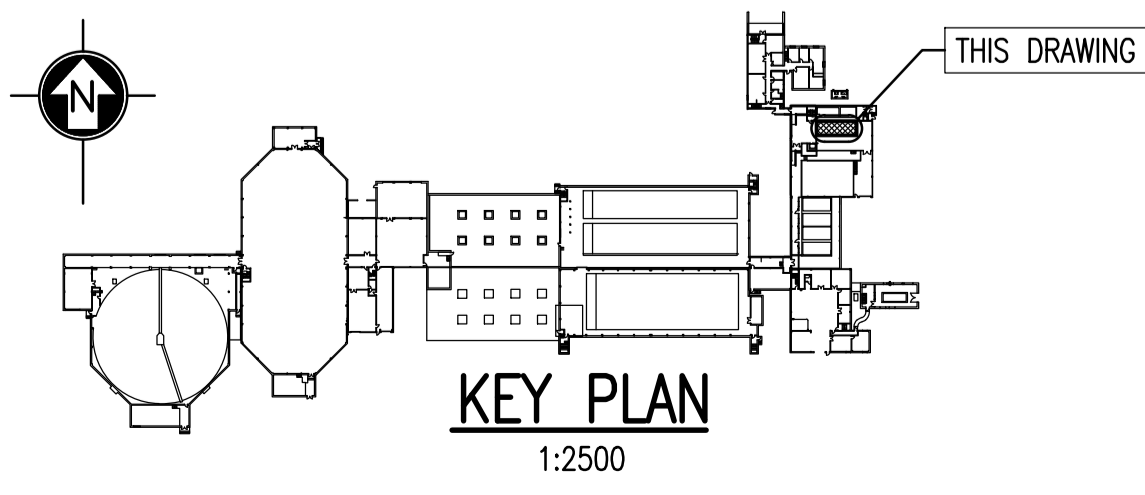


ALL STRUCTURAL STEEL SHALL BE GALVANIZED

SEP-34	PUMP & SCREEN BLDG. - STRUCTURAL ALTERNATE PLANS
SEP-25	PUMP & SCREEN BLDG. - STRUCTURAL PLANS EL. 709', 715' & 732'
SEP-03	STRUCT. TYP. PILE CAPS, CONCRETE DETAILS & GENERAL NOTES
DRAWING NUMBER	REFERENCE DRAWINGS



APEGN
Certificate of Authorization
SNC-Lavalin Inc.
No. 4489



00	ISSUED FOR TENDER	2010/10/01	DSS	RCB
NO.	REVISIONS	DATE	DESIGN	CHECK

SNC-LAVALIN INC.
148 Nature Park Way
Winnipeg, MB, Canada R3P 0X7
204-786-8080

DESIGNED BY: D. S. SIDHU
DRAWN BY: B. F. DICKSON
DATE: 2009/12/21

CHECKED BY: R. C. BEAN
APPROVED BY: C. J. REIMER
DATE: 2010/10/01

SCALE: 1:10, 1:75
RELEASED FOR CONSTRUCTION BY: J. VEILLEUX

CONSULTANT NO.: 112577-0112-42DD-0035

ENGINEER'S SEAL

ORIGINAL DRAWING SEALED BY:
D. S. SIDHU
SNC-Lavalin Inc.
MEMBER #24837
2010/10/01
REV. 00

THE CITY OF WINNIPEG
WATER AND WASTE DEPARTMENT

SOUTH END WATER POLLUTION CONTROL CENTRE
HEADWORKS UPGRADES
PLAN & SECTIONS
DRY WELL CONCRETE ISOLATION WALL

CITY DRAWING NUMBER: 1-0102G-S0015
SHEET: 001
REV: 00
SIZE: A1