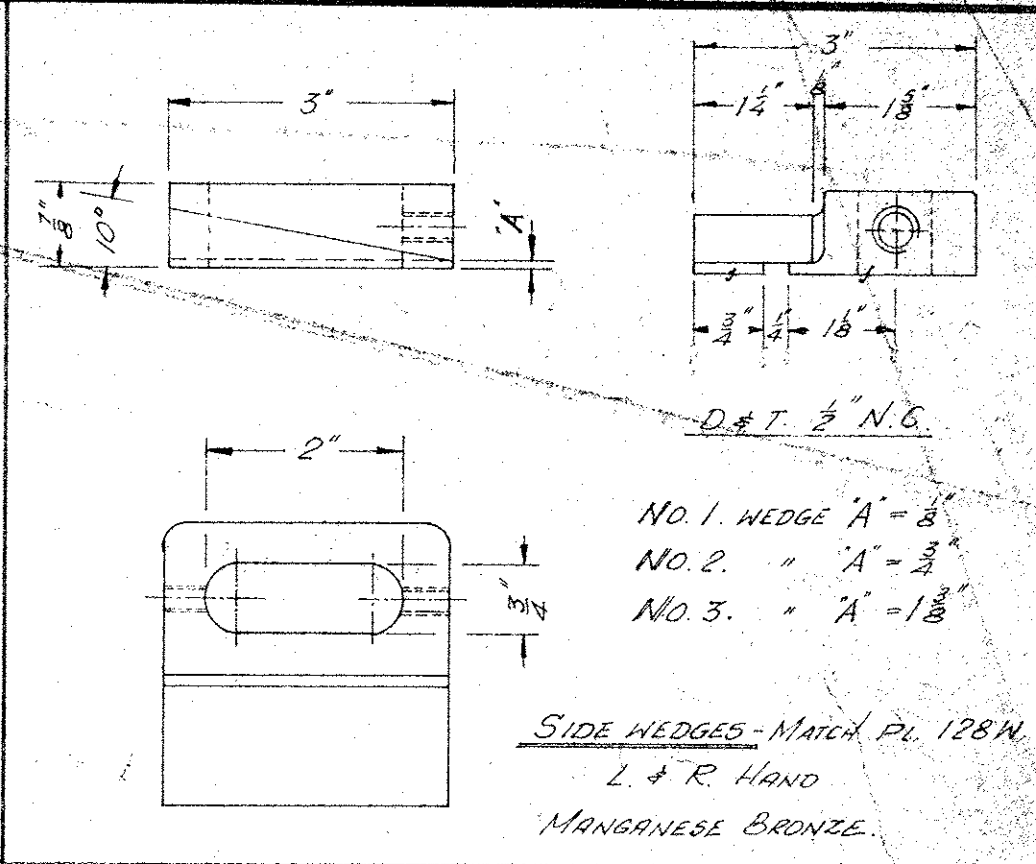
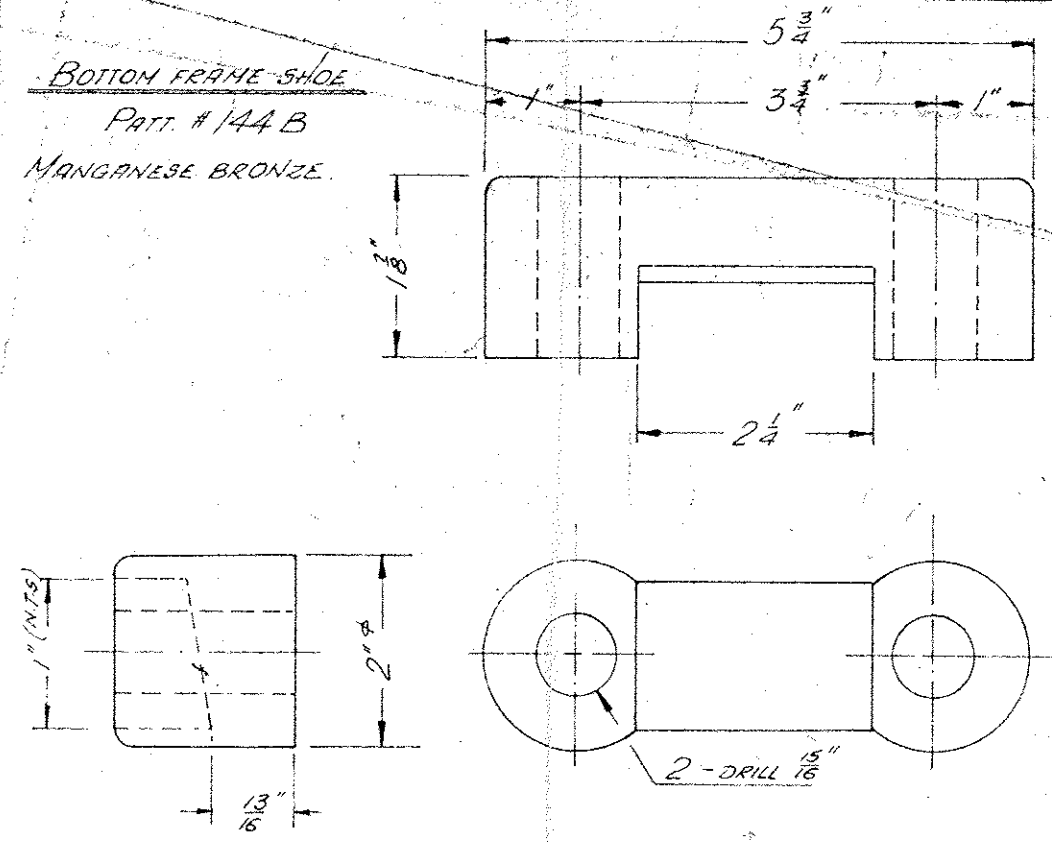
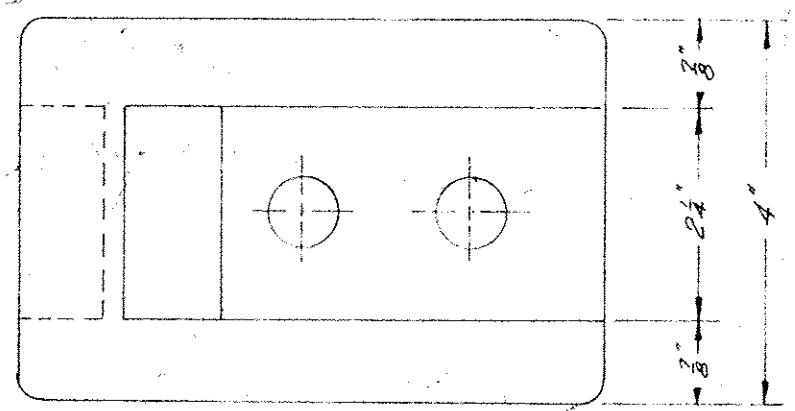


BOTTOM FRAME SHOE
PATT. # 144 B
MANGANESE BRONZE.

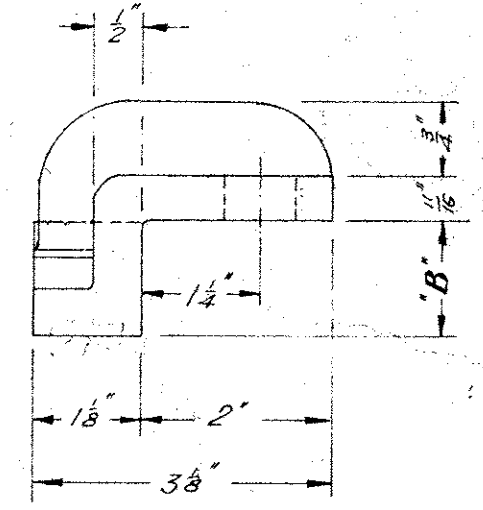
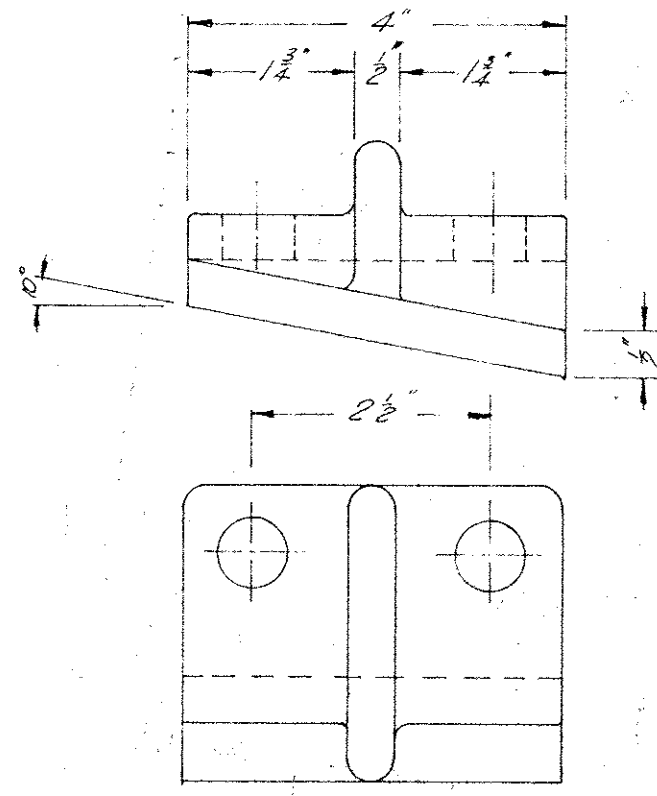
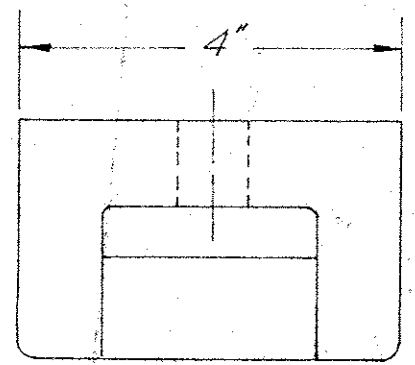
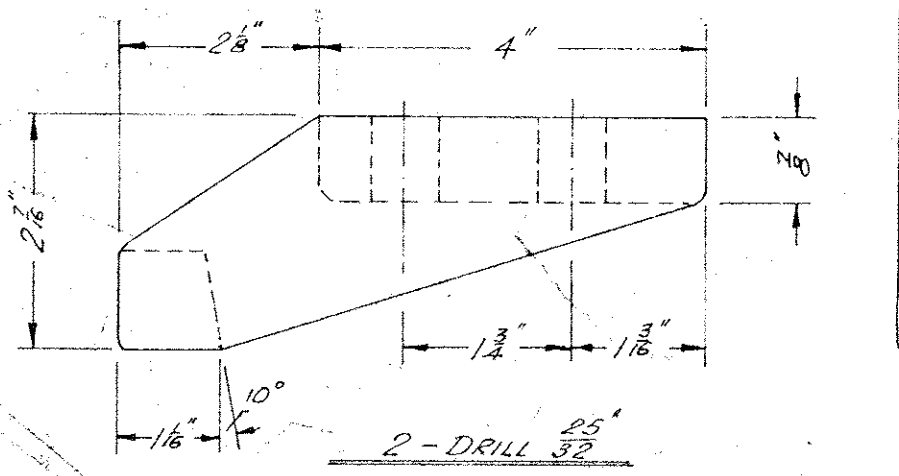


- NO. 1. WEDGE 'A' = 3/8"
- NO. 2. " 'A' = 3/4"
- NO. 3. " 'A' = 1 3/8"

SIDE WEDGES - MATCH PL. 128 W.
L. & R. HAND
MANGANESE BRONZE.



TOP GATE SHOE
PATT. # 144 C
MANGANESE BRONZE



- NO. 1. WEDGE 'B' = 1 1/4"
- NO. 2. " 'B' = 5/8"
- NO. 3. " 'B' = 0

SIDE WEDGE SHOE - MATCH PL. 128 W.
L. & R. HAND
MANGANESE BRONZE.

APPROVED
VARIATION FROM PLANS AND SPECIFICATIONS NOT APPROVED.
APR 10 1972
W. L. WARDROP & ASSOCIATES LTD.
ENGINEERING CONSULTANTS
WINNIPEG, CANADA

SUPERSEDED

DETAILS OF WEDGES

FLOW CONTROLS
TORONTO ONTARIO
DEP.

DR. <i>Coyne</i>	DATE APRIL 23/68	SCALE 2 x FULL
CH.	DWG. No. 128 A	
APP.		

150-6-013-4A