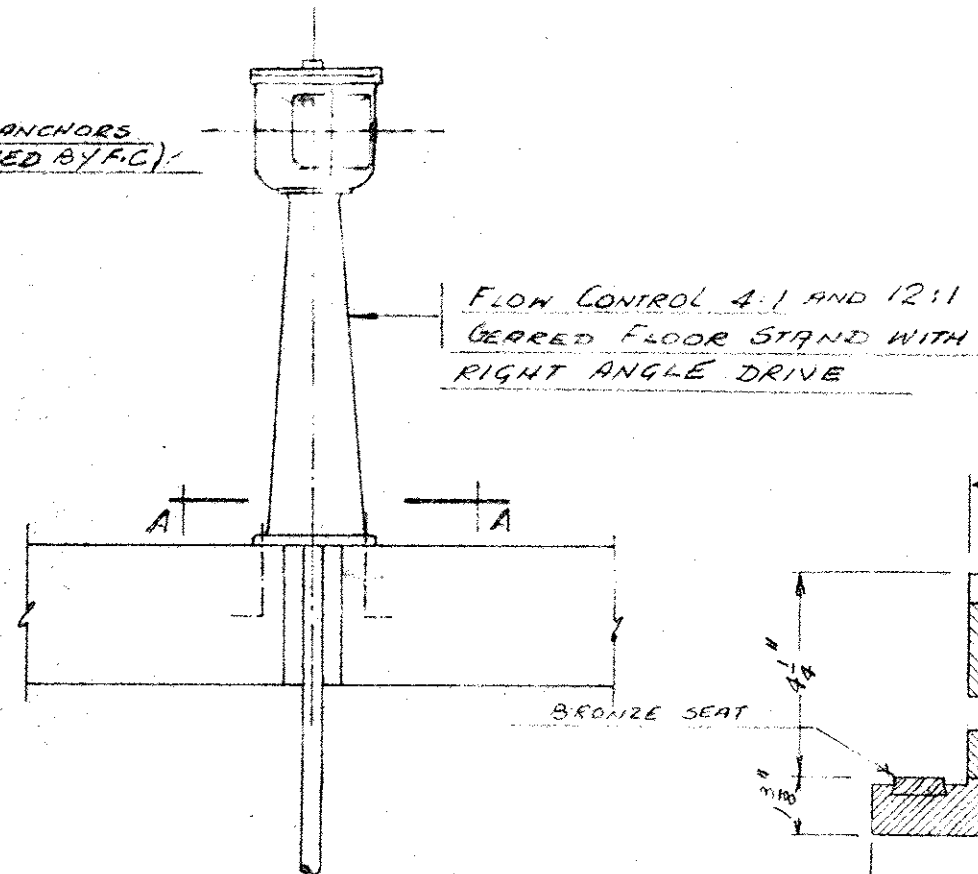
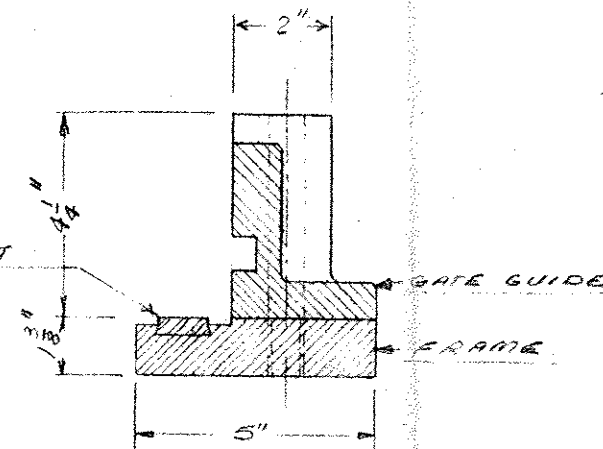


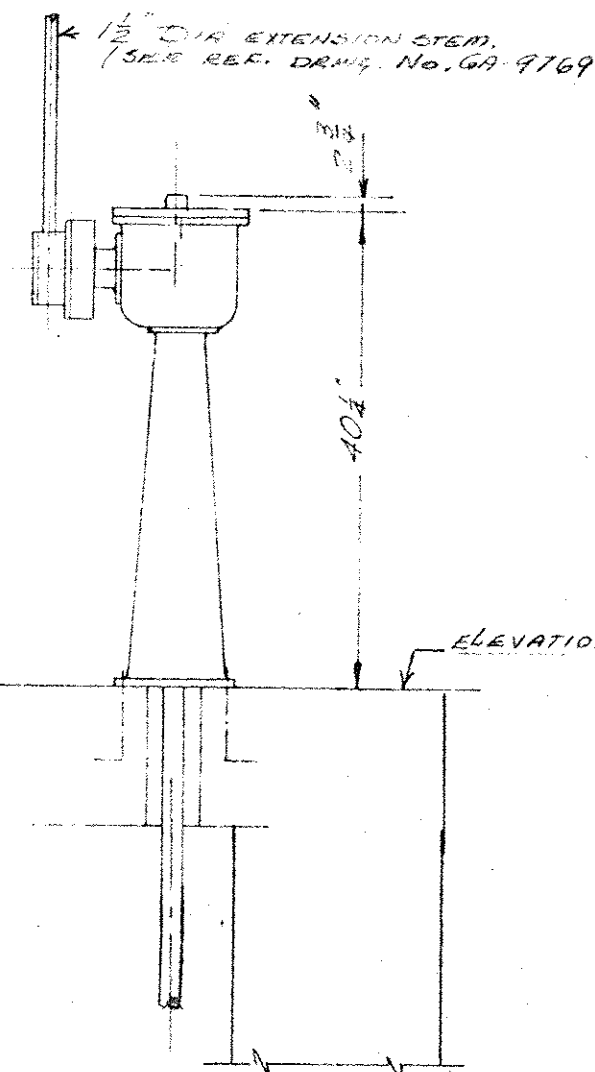
SECTION A-A



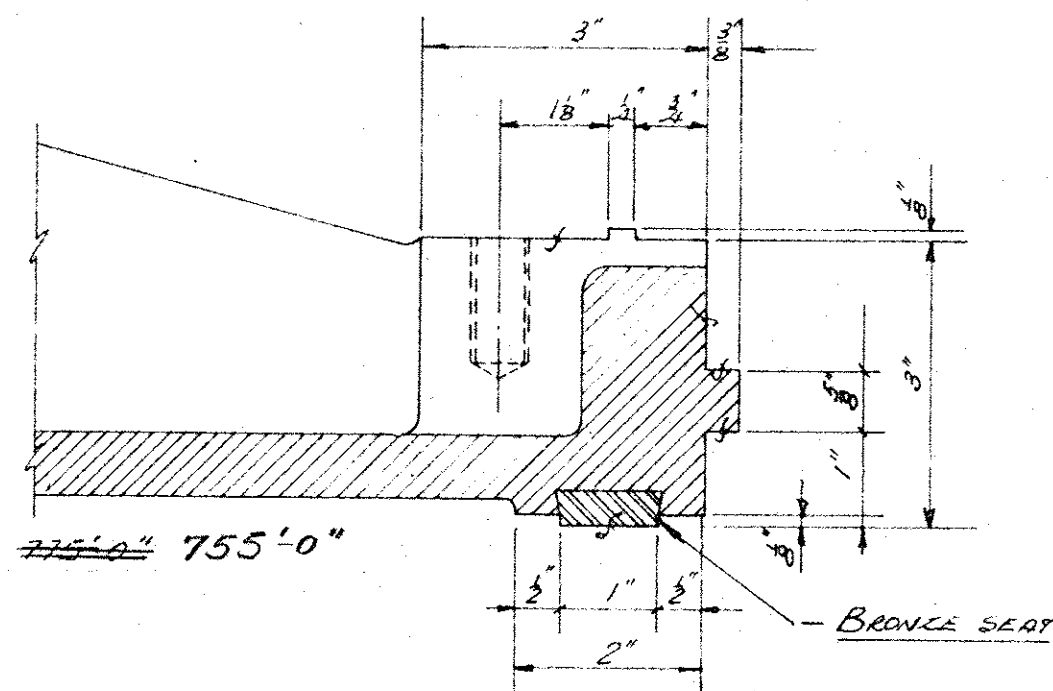
FLOW CONTROL 4:1 AND 12:1
GEARED FLOOR STAND WITH
RIGHT ANGLE DRIVE



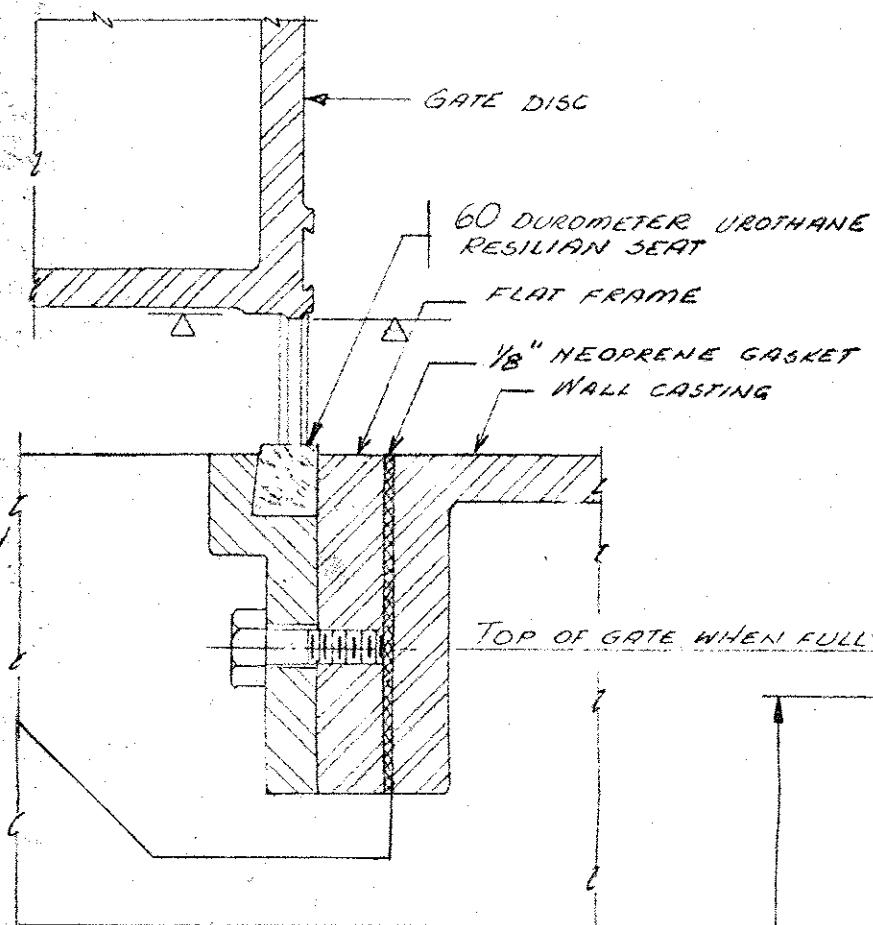
FRAME AND GUIDE SHOWN THROUGH
SECTION A-A



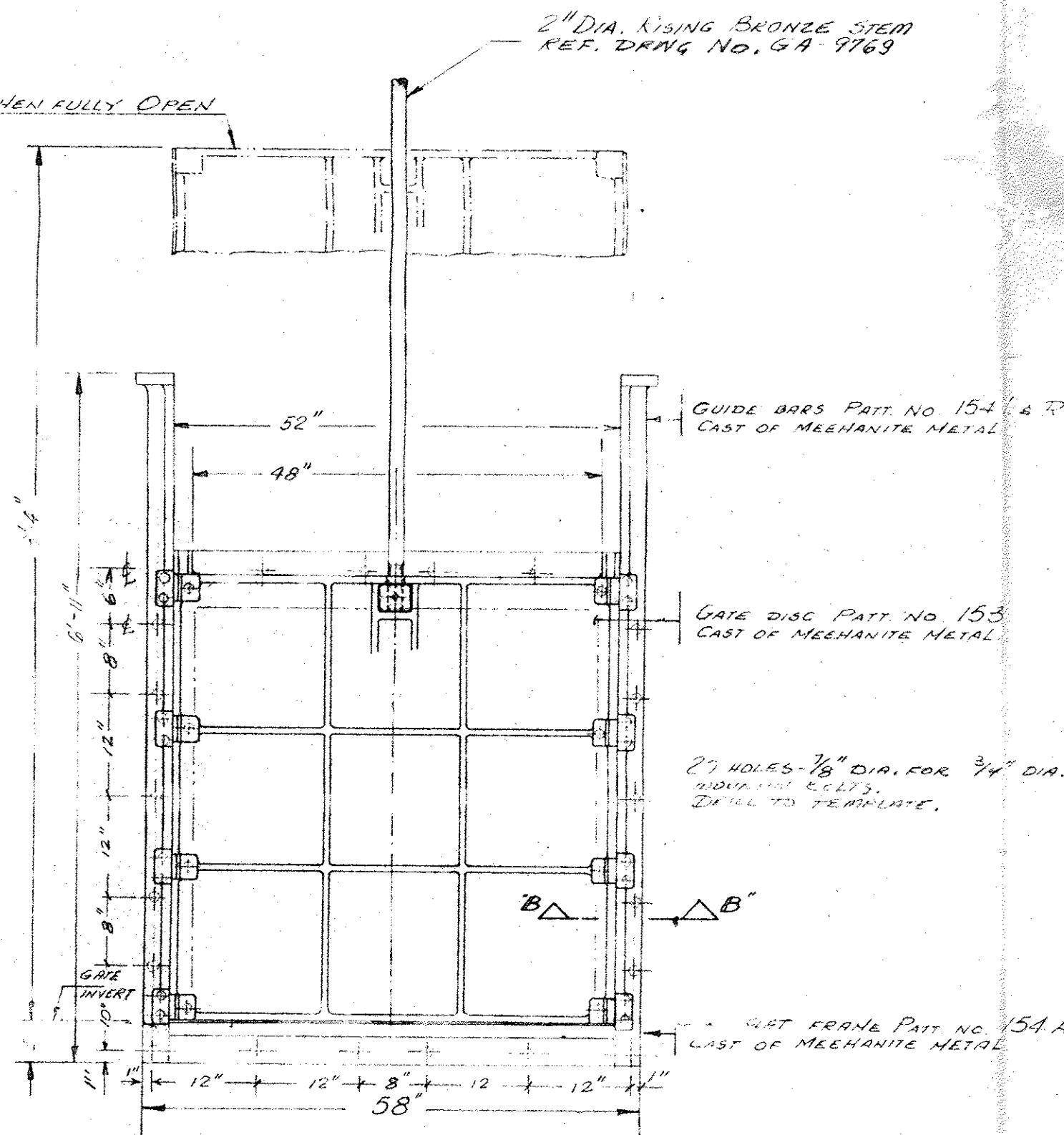
ELEVATION ~~775'-0"~~ 755'-0"



GATE DISC SHOWN THROUGH SECTION "B-B"

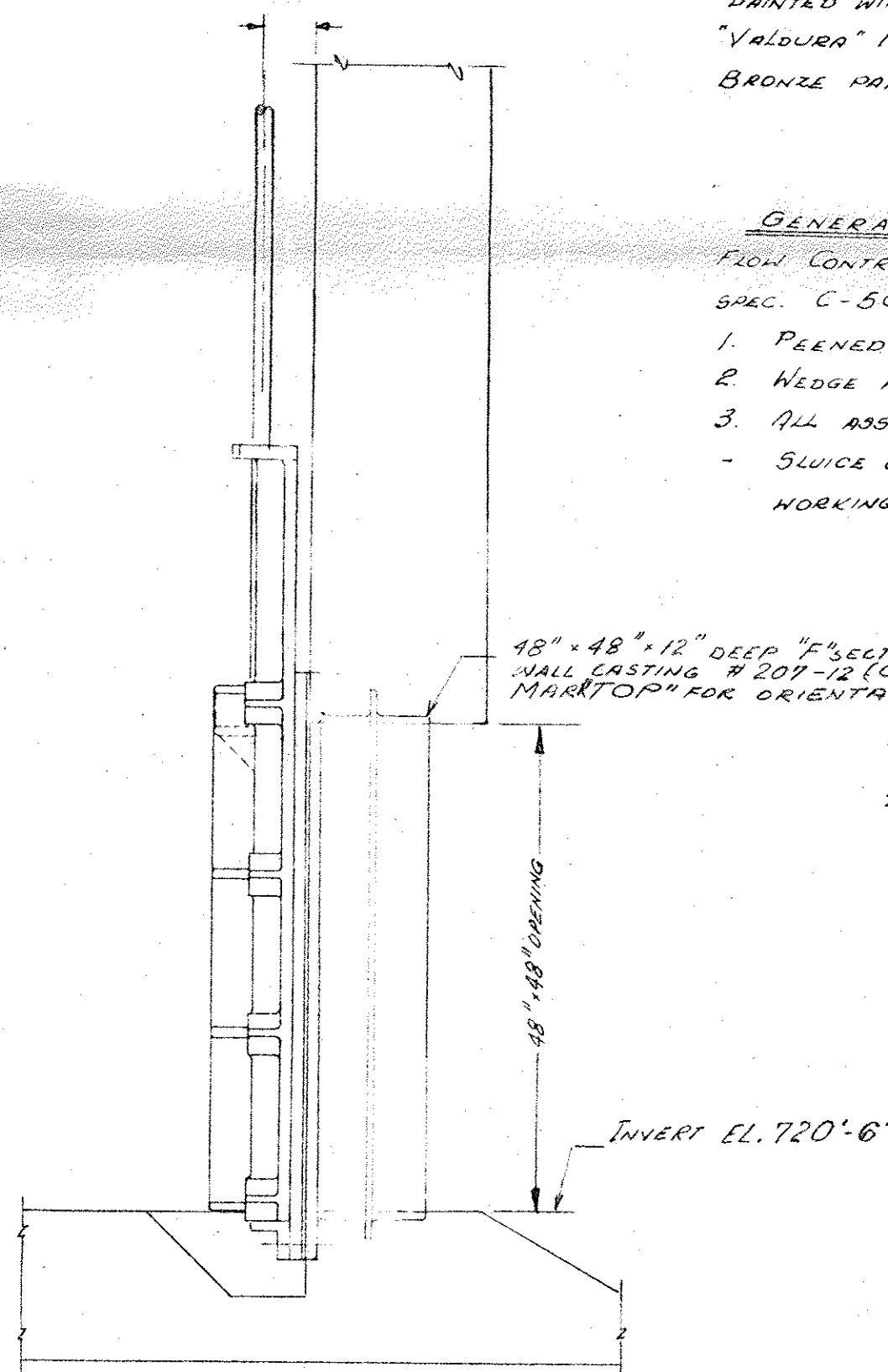


FLUSH BOTTOM DETAIL



INSTALLATION OF 48" x 48" SLUICE GATE
FRONT ELEVATION

Scale: 3/4" = 1'-0"



48" x 48" x 12" DEEP "F" SECTION
WALL CASTING # 201-12 (CAST IRON)
MARK TOP FOR ORIENTATION.

INVERT EL. 720'-6"

SHOP PAINTING:

ALL UNFINISHED SURFACES SHALL BE CLEANED OFF RUST SAND AND
PRIMED WITH ONE COAT OF EPOXY ESTER PRIMER EQUAL TO
"VALDURA" 13-R-35
BRONZE PARTS AND SEATS SHALL BE LEFT BRIGHT.

GENERAL NOTES:

- 1. PEENED BRONZE SEATS IN DOVETAILED SLOTS.
- 2. WEDGE AND WEDGE SHOE - CAST OF MANGANESE BRONZE.
- 3. ALL BOLT AND MOUNTING STUDS - BILICON BRONZE.
- SLUICE GATE DESIGNED TO RESIST ALL DISTORTION UNDER
WORKING HEAD OF 10 FT. UNSEATING AND 55 FT. SEATING.

NUMBER OF GATES REQ'D: 2. MARK G-1(A,B)

PROJECT: CITY OF WINNIPEG
SOUTH END POLLUTION CONTROL PLANT.

ENG.: W. L. WARDROP & ASSOCIATES LTD.
WINNIPEG, MANITOBA.

MECH. CONTRACTOR:
CANADIAN INTERNATIONAL COMSTOCK LTD.
2116 LOGAN AVENUE
WINNIPEG 23, MANITOBA.

APPROVED
PLANS AND
SPECIFICATIONS NOT APPROVED
JUN 13 1972
W. L. WARDROP & ASSOCIATES LTD.
ENGINEERING CONSULTANTS
CANADA

G-1 Plant Influent

REVISED: MAY 25 1972

INSTALLATION OF 48" x 48" SLUICE GATE		FLOW CONTROLS		DR. J. G. J.	DATE MARCH 8/72	SCALE 3/4" = 1'-0"
TORONTO		ONTARIO		CH	DWG. No. GA-9768	
DEP.				APP.		

15C 46 13-5B