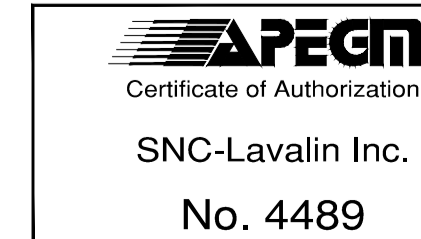


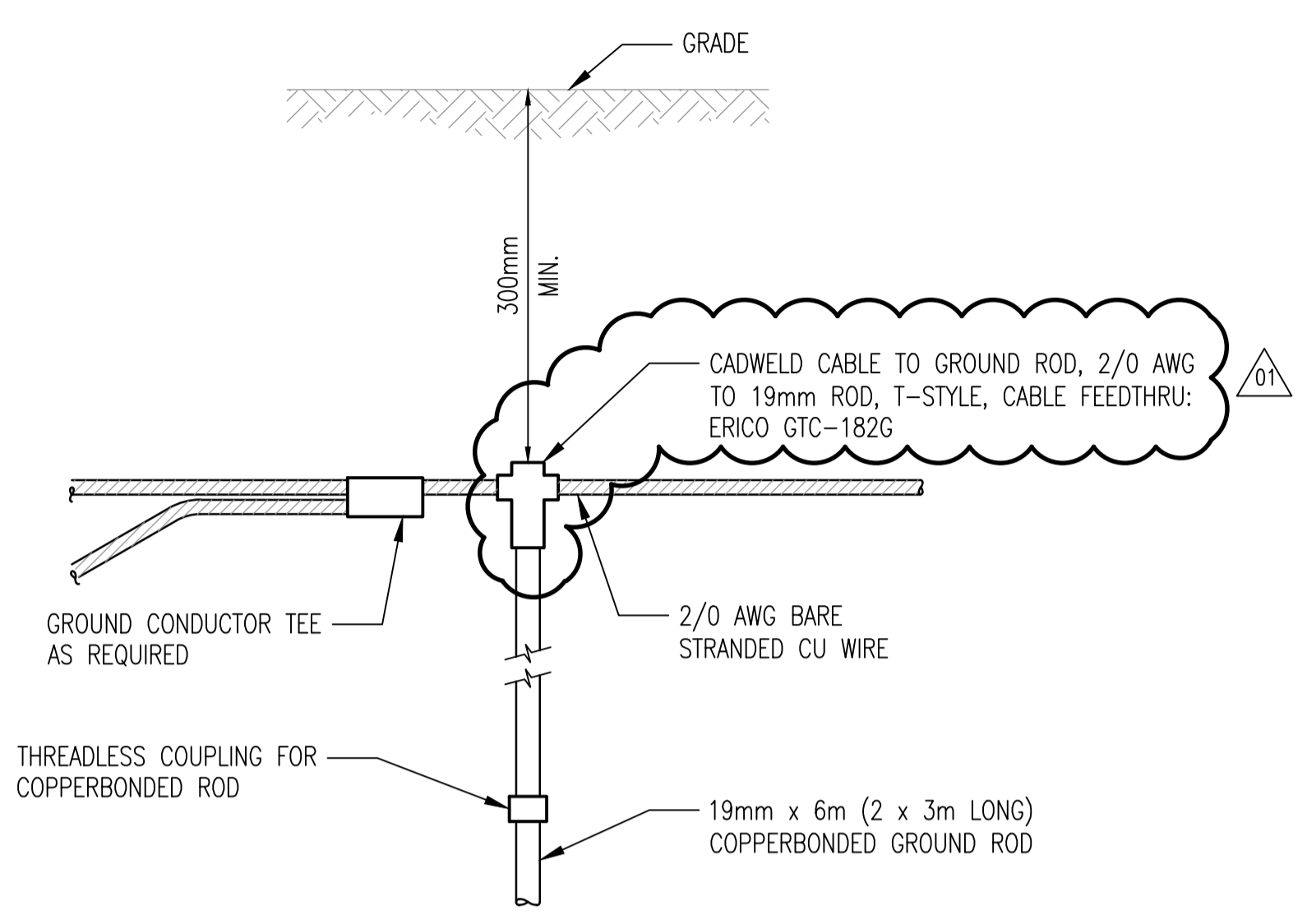
DETAIL: GROUNDING RISER DIAGRAM
SCALE: NTS

CONSTRUCTION NOTES	
1	INSTALL A GROUND WELL AT EACH CONNECTION POINT WHERE GROUND ELECTRODE CONNECTS TO CONDUCTOR FROM BUILDING.
2	CORE DRILL HOLE THROUGH WALL, INSTALL CABLE AND SEAL PENETRATION.

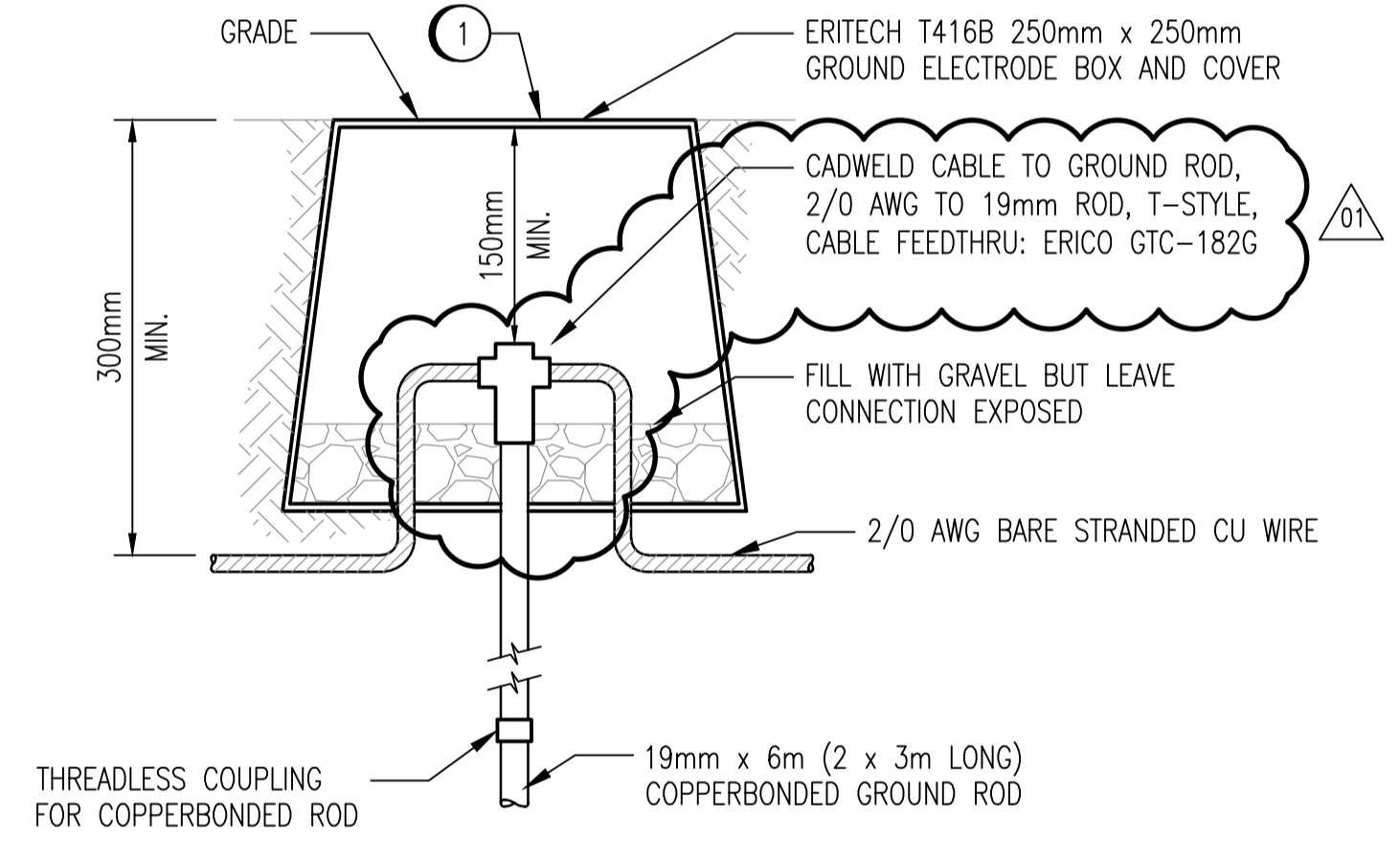


<p>SNC-LAVALIN INC. 148 Nature Park Way Winnipeg, MB, Canada R3P 0X7 204-786-8080</p>				ENGINEER'S SEAL ORIGINAL DRAWING SEALED BY: C. REIMER SNC-LAVALIN INC. 2010/10/18 REV. 01
DESIGNED BY:	B. CLEVEN	CHECKED BY:	C. REIMER	
DRAWN BY:	S. FUNK	APPROVED BY:	C. REIMER	
SCALE:	NTS	RELEASED FOR CONSTRUCTION BY:	K. ZUREK	
DATE:	2010/09/27	DATE:	2010/10/04	
CONSULTANT NO.:	113368-0000-47DD-0017			
BID OPP.:	760-2010			

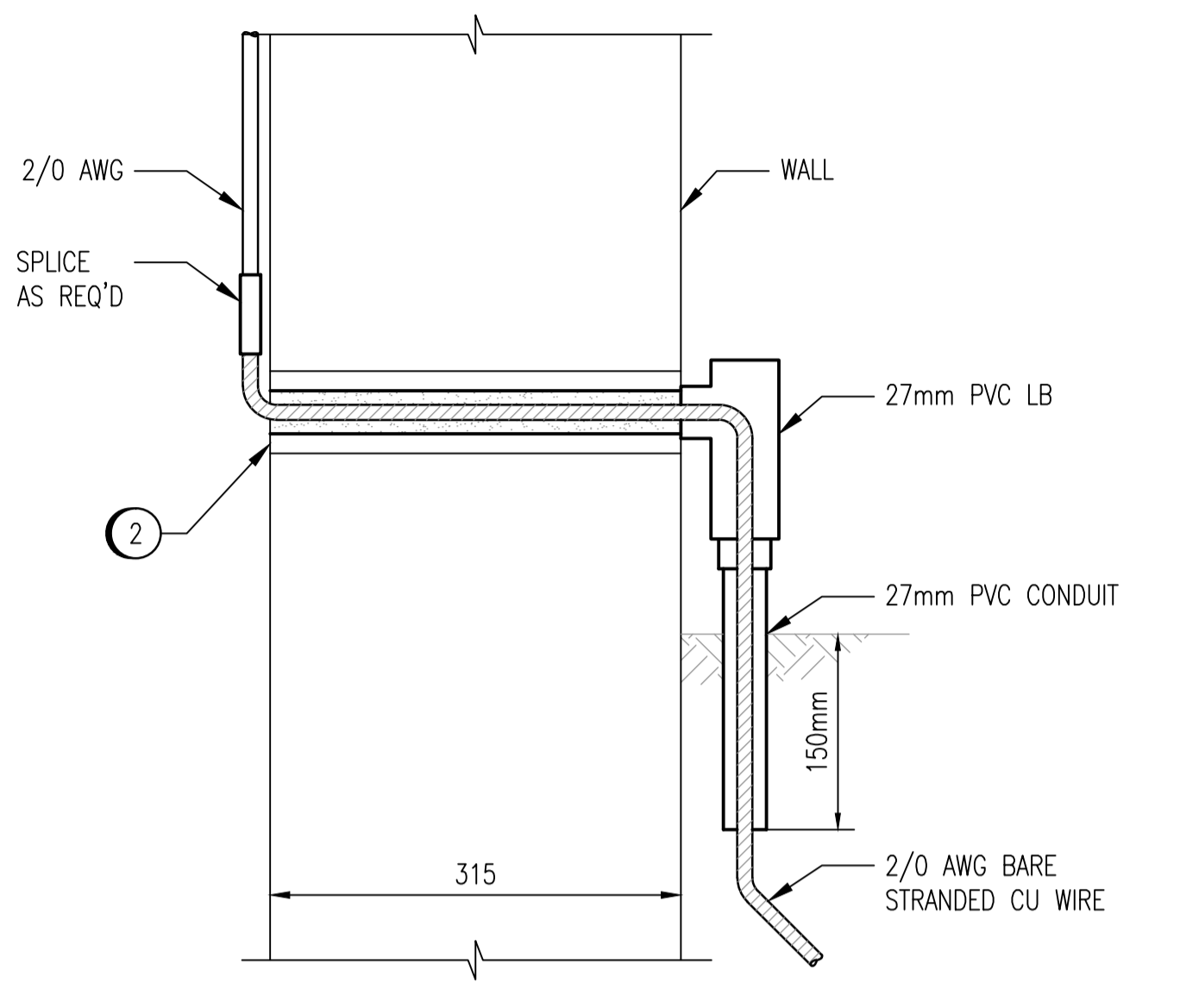
<p>THE CITY OF WINNIPEG WATER AND WASTE DEPARTMENT</p>			
MARION WASTEWATER PUMPING STATION INSTALLATION OF PUMPING UNITS & BUILDING UPGRADES GROUNDING INSTALLATION DETAILS			
CITY DRAWING NUMBER	SHEET	REV.	SIZE
1-0159L-E0017	001	01	A1



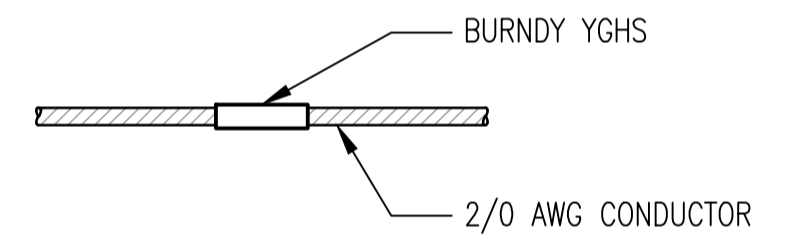
A GROUND ROD ASSEMBLY
NTS



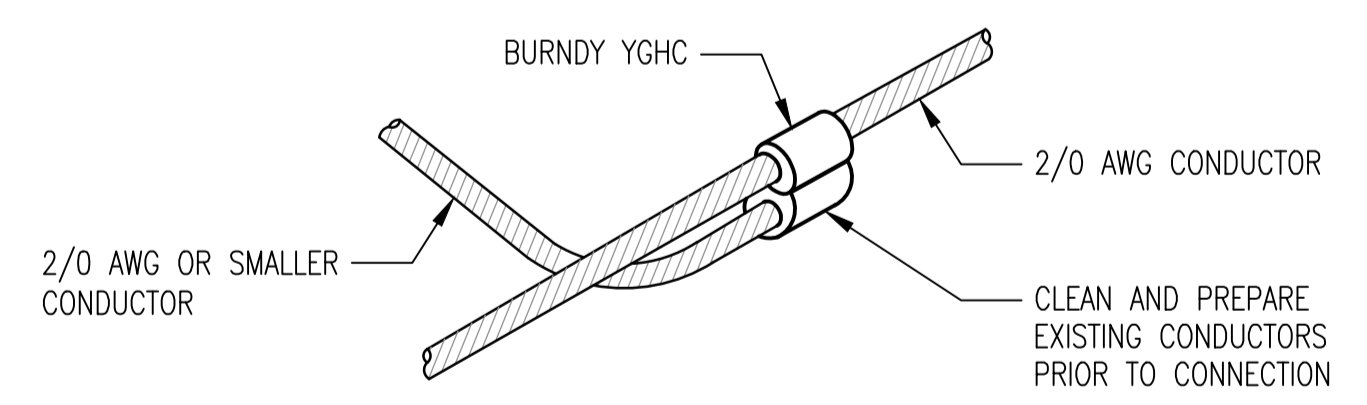
B GROUND ROD WITH GROUND WELL
NTS



C BUILDING ENTRY ABOVE GRADE
NTS



D GROUND CONDUCTOR SPLICE
NTS



E GROUND CONDUCTOR TEE
NTS