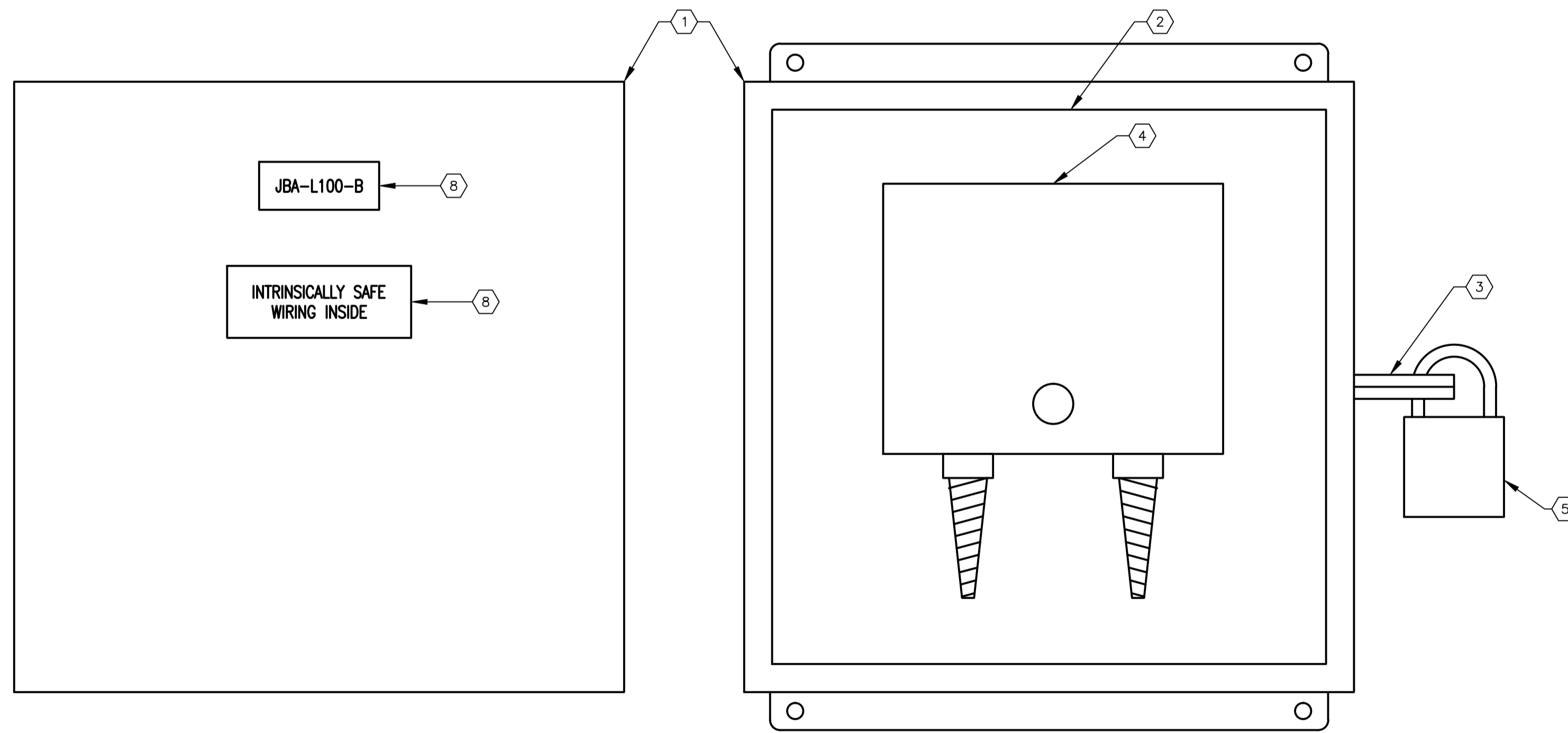


EXTERIOR PANEL VIEW
SCALE: 1 : 2

INTERIOR PANEL VIEW
SCALE: 1 : 2

BILL OF MATERIAL				
ITEM	QTY	DESCRIPTION	MANUFACTURER	CATALOG NUMBER
1	1	JUNCTION BOX, NEMA 12	HOFFMAN	A808CH
2	1	BACKPAN	HOFFMAN	A8P8
3	1	INTRINSICALLY SAFE ISOLATING BARRIER	MTL	MTL5041
4	1	POTENTIAL-EARTH TERMINAL	PHOENIX CONTACT	3046207
5	2	TERMINAL END CLAMP	PHOENIX CONTACT	1201442
6	AS REQ'D	35mm DIN RAIL	PHOENIX CONTACT	0801733
7	AS REQ'D	NARROW SLOT WIRING DUCT, 1.25" x 2.12"	PANDUIT	-
8	AS REQ'D	LAMACOIDS		



EXTERIOR PANEL VIEW
SCALE: 1 : 2

INTERIOR PANEL VIEW
SCALE: 1 : 2

BILL OF MATERIAL				
ITEM	QTY	DESCRIPTION	MANUFACTURER	CATALOG NUMBER
1	1	JUNCTION BOX, NEMA 4	HOFFMAN	A1212CHNF
2	1	BACKPAN	HOFFMAN	A12P12
3	1	PADLOCK KIT	HOFFMAN	APLKJIC
4	1	SENSOR TERMINATION ENCLOSURE	DRUCK	STE 110
5	1	PADLOCK (SUPPLIED BY CITY)	-	-
6	AS REQ'D	LAMACOIDS		

NOTES:

1. LABEL WIREWAY COVERS AND BACKPLANE AS SHOWN.



DESIGNED BY: C. REIMER DRAWN BY: S. FUNK SCALE: 1:2 DATE: 2010/09/28	CHECKED BY: C. REIMER APPROVED BY: C. REIMER RELEASED FOR CONSTRUCTION BY: K. ZUREK DATE: 2010/10/04	ENGINEER'S SEAL ORIGINAL DRAWING SEALED BY: C. REIMER SNC-LAVALIN INC. 2010/10/02 REV. 00	THE CITY OF WINNIPEG WATER AND WASTE DEPARTMENT MARION WASTEWATER PUMPING STATION INSTALLATION OF PUMPING UNITS & BUILDING UPGRADES PANEL LAYOUT ISB-L100-B & JBA-L100-B	
				CONSULTANT NO.: 113368-0000-48DD-0015 BID OPP.: 760-2010

1-0159L-A0014	INSTALLATION DETAILS - SUBMERSIBLE LEVEL TRANSMITTER
DRAWING NUMBER	REFERENCE DRAWINGS