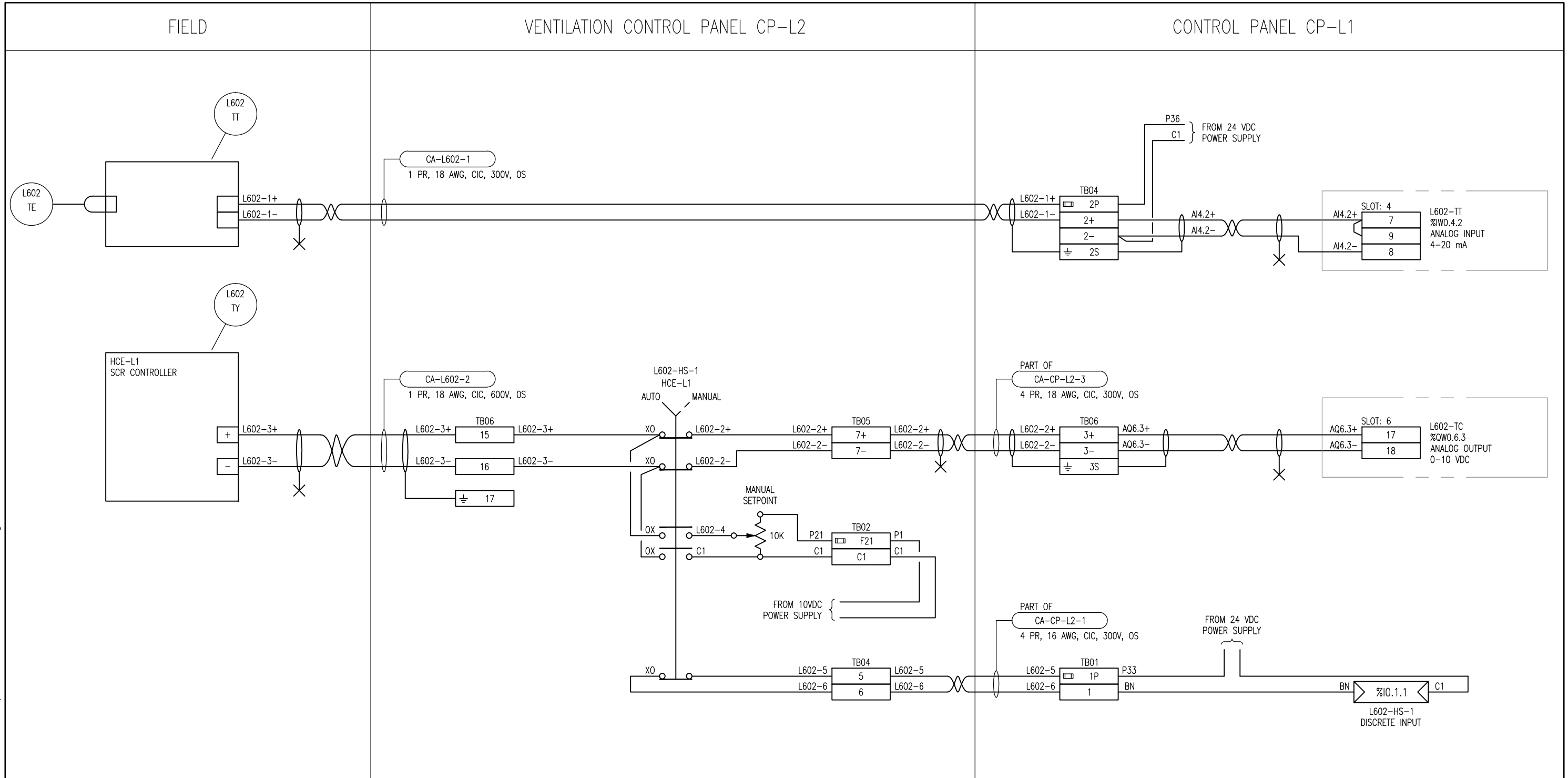


B SIZE - 279mm x 432mm

LAST SAVE: 2010/10/04 - 1:53pm  
 PATH: M:\113368\4ENG\48&c\DD - General DWG\1-0159L-A0032-001-00.dwg



NOTES

<p>SNC-Lavalin Inc. No. 4489</p>				
00	ISSUED FOR TENDER	2010/09/29	BC	CJR
NO.	REVISIONS	DATE	DESIGN	CHECK

<p><b>SNC-LAVALIN INC.</b>          148 Nature Park Way          Winnipeg, MB, Canada R3P 0X7          204-786-8080</p>				
DESIGNED BY:	B. CLEVEN	CHECKED BY:	C. REIMER	
DRAWN BY:	S. COATES	APPROVED BY:	C. REIMER	
SCALE:	N.T.S.	DATE:	2010/06/30	
RELEASED FOR CONSTRUCTION				
BY:	K. ZUREK	DATE:	2010/10/04	
CONSULTANT NO.:	113368-0000-48DD-0032			

ENGINEER'S SEAL

ORIGINAL DRAWING  
 SEALED BY:  
 C. REIMER  
 SNC-LAVALIN INC.  
 2010/10/02  
 REV. 00

BID OPPORTUNITY:  
 760-2010

<p>THE CITY OF WINNIPEG          WATER AND WASTE DEPARTMENT</p>			
<p>MARION WASTEWATER PUMPING STATION</p> <p>LOOP DIAGRAM          HEATER TEMPERATURE CONTROL          LOOP L602</p>			
CITY DRAWING NUMBER	SHEET	REV.	SIZE
1-0159L-A0032	001	00	B