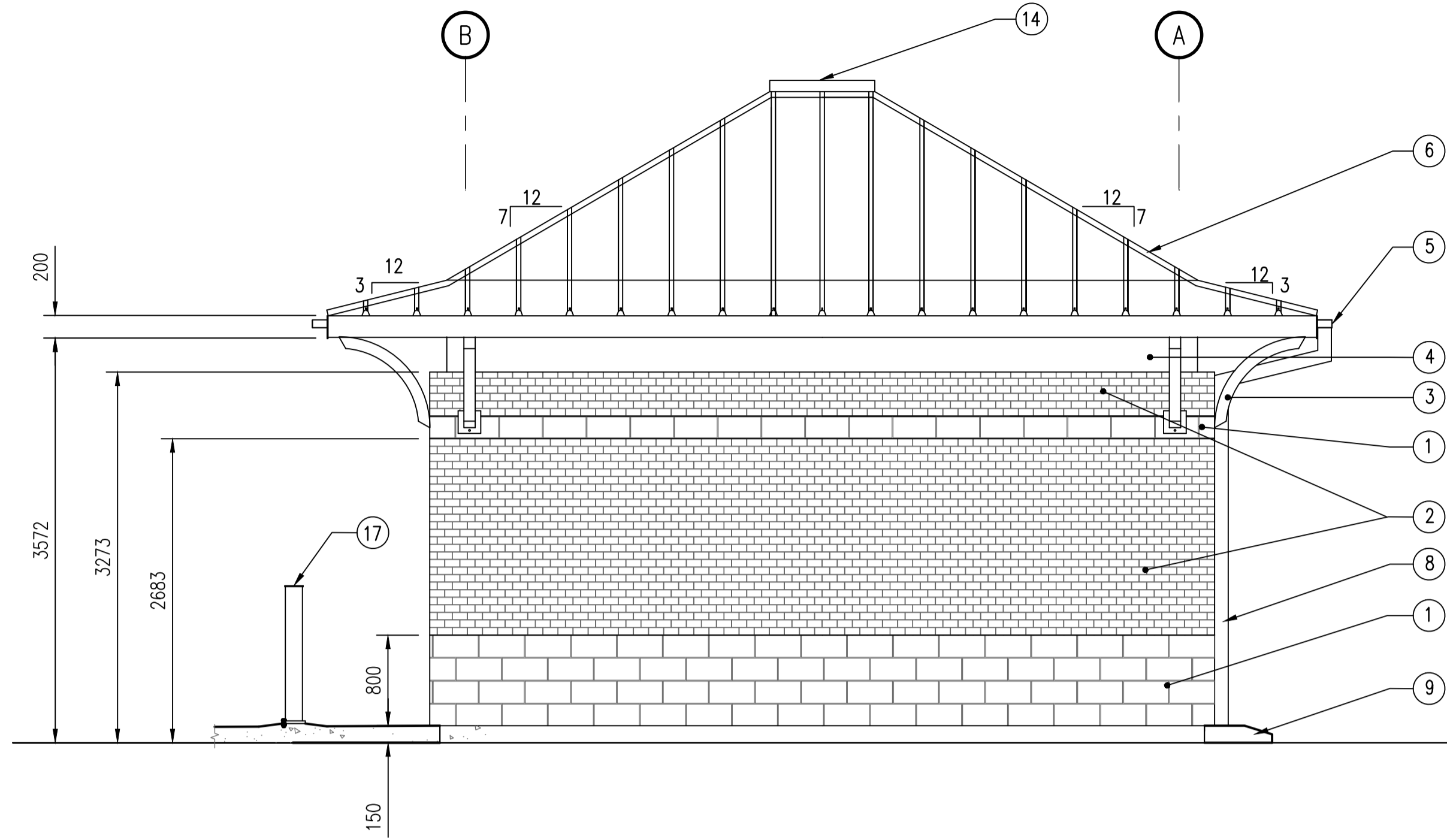
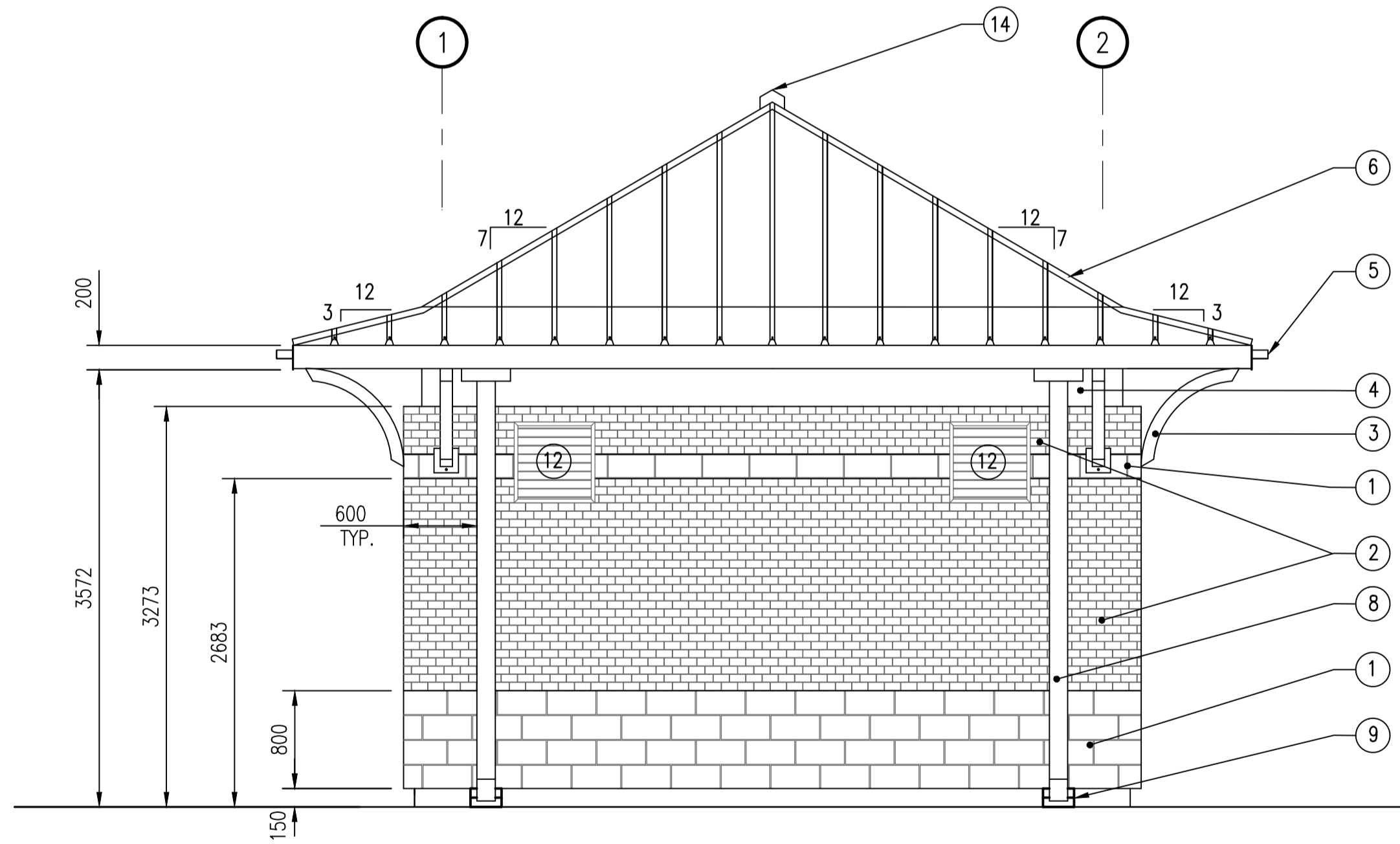


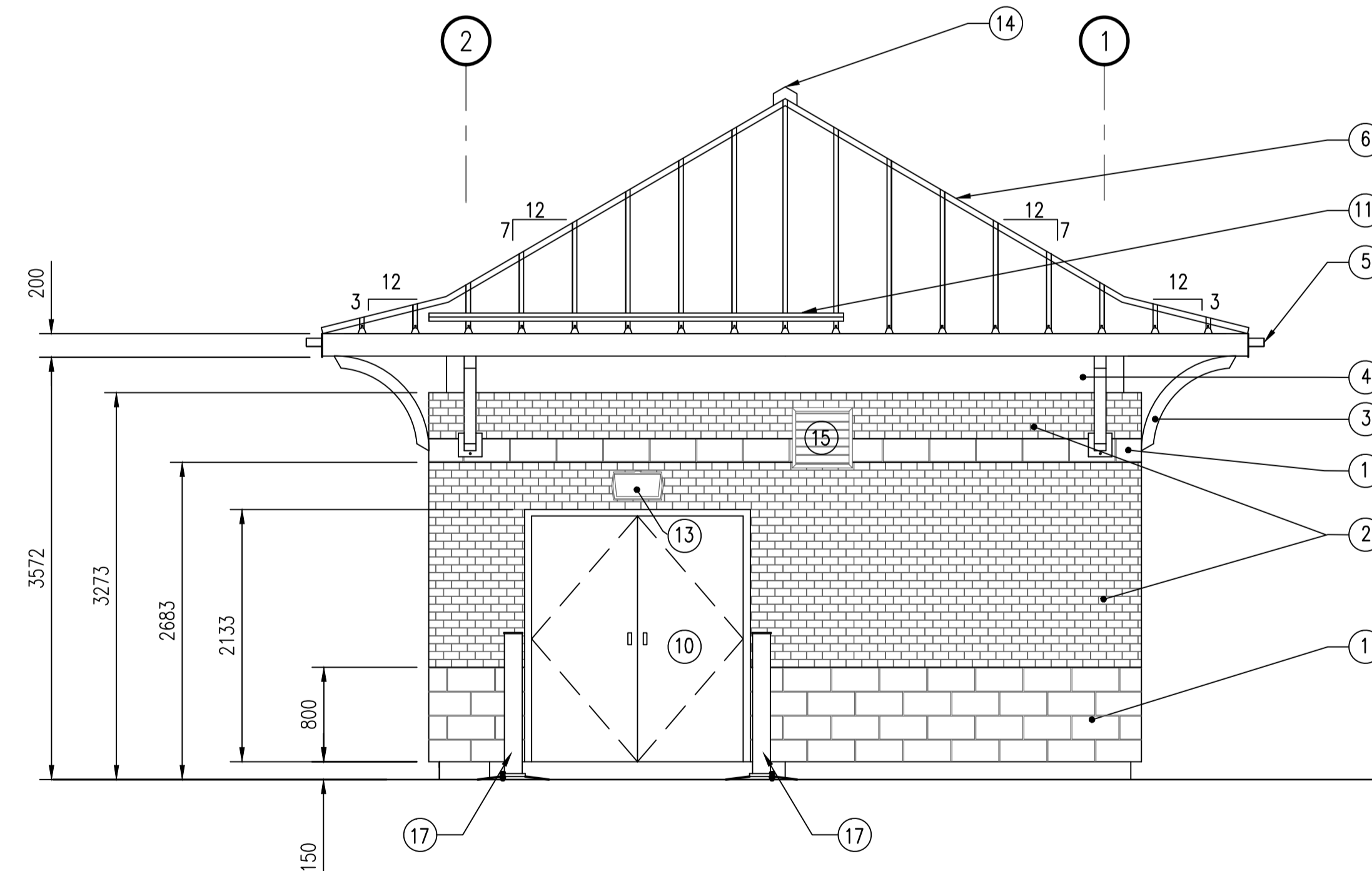
1 SOUTH ELEVATION
SCALE: 1 : 40



2 NORTH ELEVATION
SCALE: 1 : 40



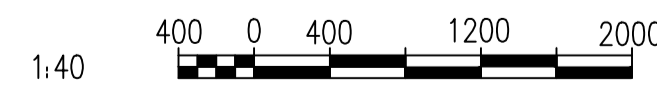
3 WEST ELEVATION
SCALE: 1 : 40



4 EAST ELEVATION
SCALE: 1 : 40

ELEVATION KEY NOTES

- 1 LIMESTONE MASONRY VENEER
- 2 CLAY BRICK MASONRY VENEER
- 3 CURVED HSS BRACKET, PAINT COLOR PT-1
- 4 STEEL CHANNEL REVEL. PAINT COLOR PT-1
- 5 PRE-FINISHED METAL GUTTER
- 6 PRE-FINISHED METAL ROOF
- 7 EXTENDED CONCRETE DRIVEWAY
- 8 PRE-FINISHED METAL DOWNSPOUT
- 9 CONCRETE SPLASH PAD
- 10 INSULATED METAL DOOR AND FRAME PAINTED FINISH
- 11 ICE/SNOW FENCE-COLOR TO MATCH ROOF PANELS
- 12 600x600 LOUVRE SEE DRAWING 1-0159L-M0003
- 13 WALL LUMINAIRE SEE DRAWING 1-0159L-E0005
- 14 RIDGE VENT
- 15 450x450 LOUVRE SEE DRAWING 1-0159L-M0003
- 16 600x450 LOUVRE SEE DRAWING 1-0159L-M0003



00	ISSUED FOR TENDER	2010/10/01	AD	NC
REVISIONS		DATE	DESIGN	CHECK

SNC-LAVALIN INC. 148 Nature Park Way Winnipeg, MB, Canada R3P 0X7 204-786-8080		ENGINEER'S SEAL
DESIGNED BY: A. DEGER	CHECKED BY: N. COOPER	ORIGINAL DRAWING SEALED BY: NEIL COOPER 2010/10/01 REV. 00
DRAWN BY: L. GAO	APPROVED BY: C. REIMER	
SCALE: 1:40	RELEASED FOR CONSTRUCTION BY: K. ZUREK	CITY DRAWING NUMBER 1-0159L-B0004
DATE: 2010/07/07	DATE: 2010/10/04	
CONSULTANT NO.: 113368-0000-44DD-0004		BID OPP.: 760-2010

THE CITY OF WINNIPEG WATER AND WASTE DEPARTMENT		MARION WASTEWATER PUMPING STATION INSTALLATION OF PUMPING UNITS & BUILDING UPGRADES BUILDING ELEVATIONS
CITY DRAWING NUMBER 1-0159L-B0004		
SHEET 001	REV. 00	SIZE A1