

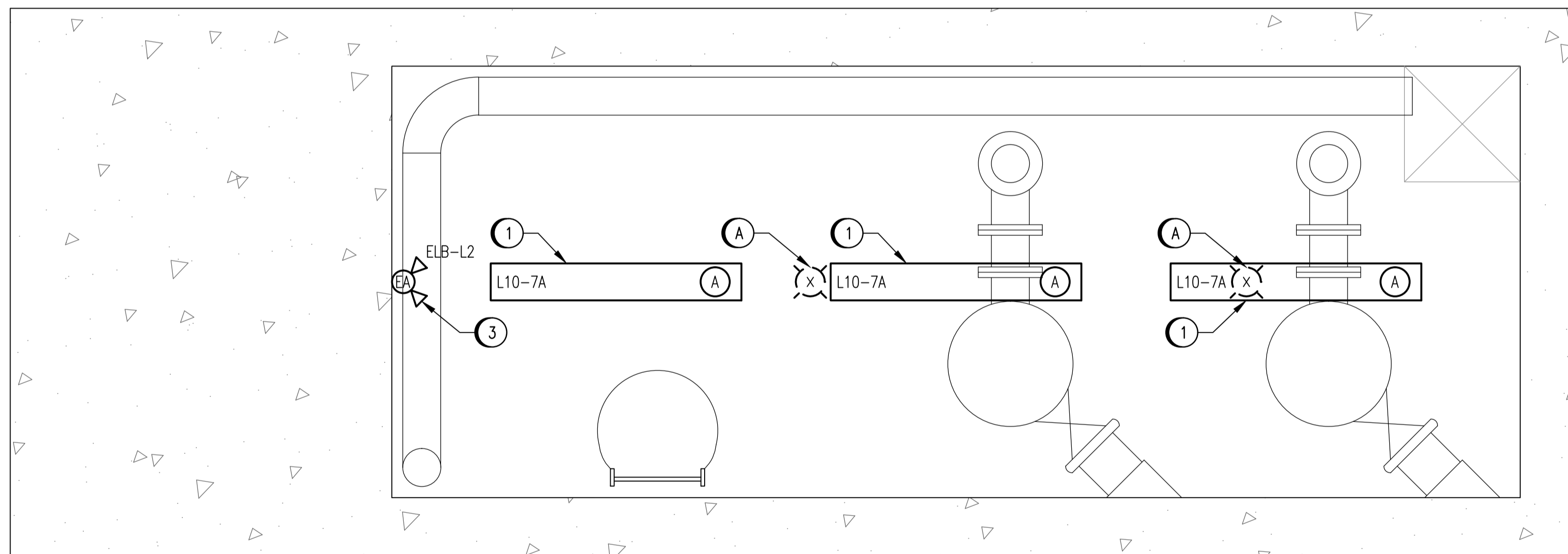
ELECTRICAL PLAN - PUMP ROOM - EL. 220.427
SCALE: 1 : 20

DEMOLITION NOTES:

- (A) PROVIDE DEMOLITION OF EXISTING LIGHT FIXTURES, INCLUDING CABLING, CONDUIT, JUNCTION BOXES, SUPPORTS AND CONTROLS. REMOVE CABLING AND CONDUIT BACK TO SOURCE PANEL.
- (B) PROVIDE DEMOLITION OF EXISTING DUPLEX RECEPTACLES INCLUDING CABLING, CONDUIT, JUNCTION BOXES AND SUPPORTS. REMOVE CABLING AND CONDUIT BACK TO SOURCE PANEL.
- (C) PROVIDE DEMOLITION OF EXISTING PUMPS INCLUDING CABLING, CONDUIT, JUNCTION BOXES, SUPPORTS AND CONTROLS.

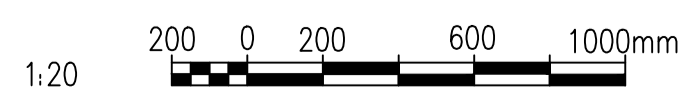
INSTALLATION NOTES:

- (1) INSTALL NEW 2 X 32W, T8, FLORESCENT LUMINAIRE.
- (2) INSTALL NEW DUPLEX RECEPTACLE.
- (3) INSTALL NEW REMOTE EMERGENCY LIGHTING FIXTURE.
- (4) RE-WIRE EXISTING SENSOR.
- (5) INSTALL NEW E-STOP SWITCH.



LIGHTING PLAN - PUMP ROOM - EL. 220.427
SCALE: 1 : 20

DRAWING NUMBER	REFERENCE DRAWINGS
----------------	--------------------



NO.	REVISIONS	DATE	DESIGN	CHECK
00	ISSUED FOR TENDER	2010/09/29	BC	CJR

SNC-LAVALIN INC. 148 Nature Park Way Winnipeg, MB, Canada R3P 0X7 204-786-8080	
DESIGNED BY: B. CLEVEN	CHECKED BY: C. REIMER
DRAWN BY: S. COATES	APPROVED BY: C. REIMER
SCALE: 1:20	RELEASED FOR CONSTRUCTION BY: K. ZUREK
DATE: 2010/06/30	DATE: 2010/10/04
CONSULTANT NO.: 113368-0000-47DD-0007	

ENGINEER'S SEAL
ORIGINAL DRAWING SEALED BY: C. REIMER SNC-LAVALIN INC. 2010/10/02 REV. 00
BID OPP.: 760-2010

THE CITY OF WINNIPEG WATER AND WASTE DEPARTMENT			
MARION WASTEWATER PUMPING STATION INSTALLATION OF PUMPING UNITS & BUILDING UPGRADES ELECTRICAL AND LIGHTING PLAN PUMP ROOM			
CITY DRAWING NUMBER	SHEET	REV.	SIZE
1-0159L-E0007	001	00	A1