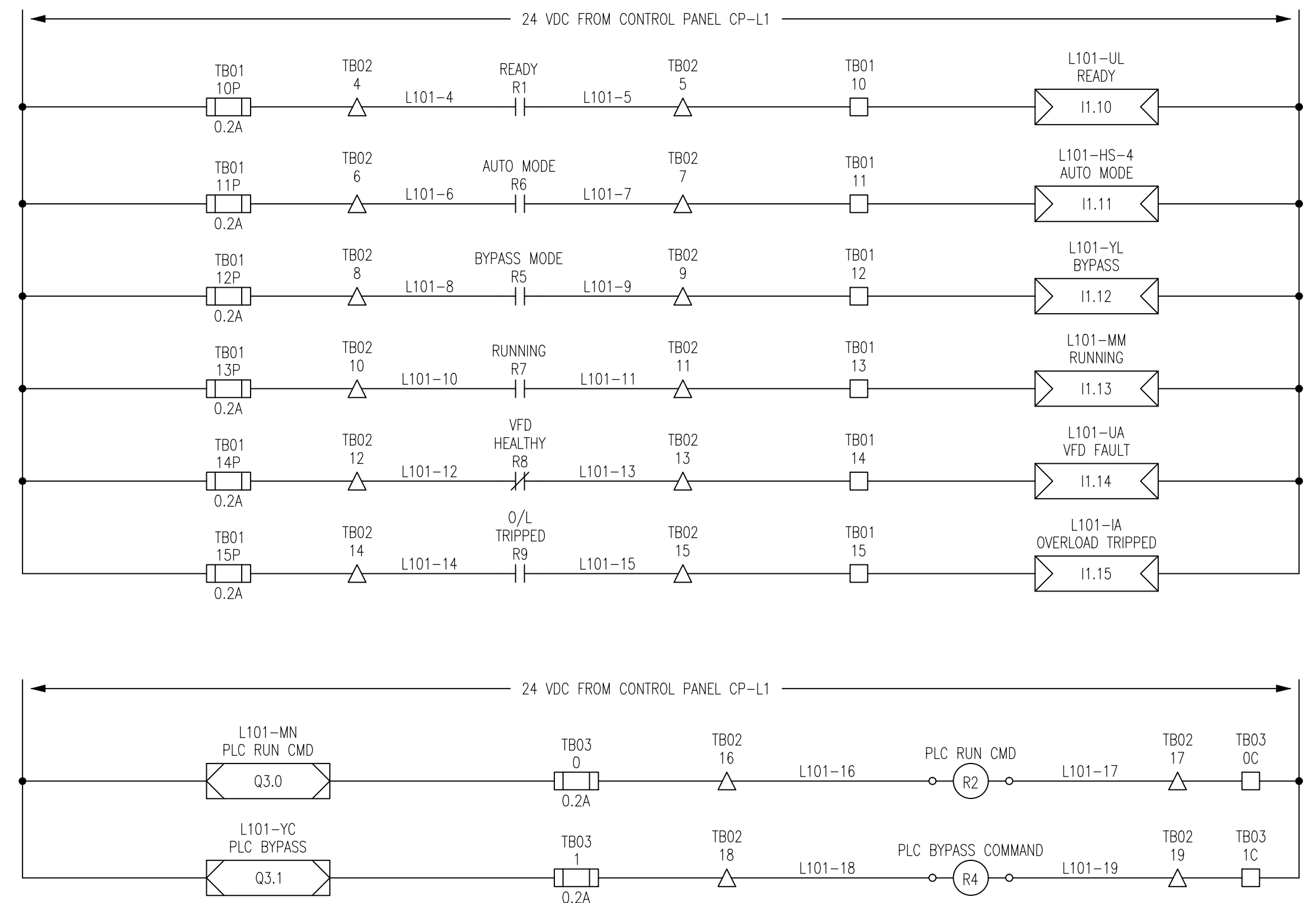
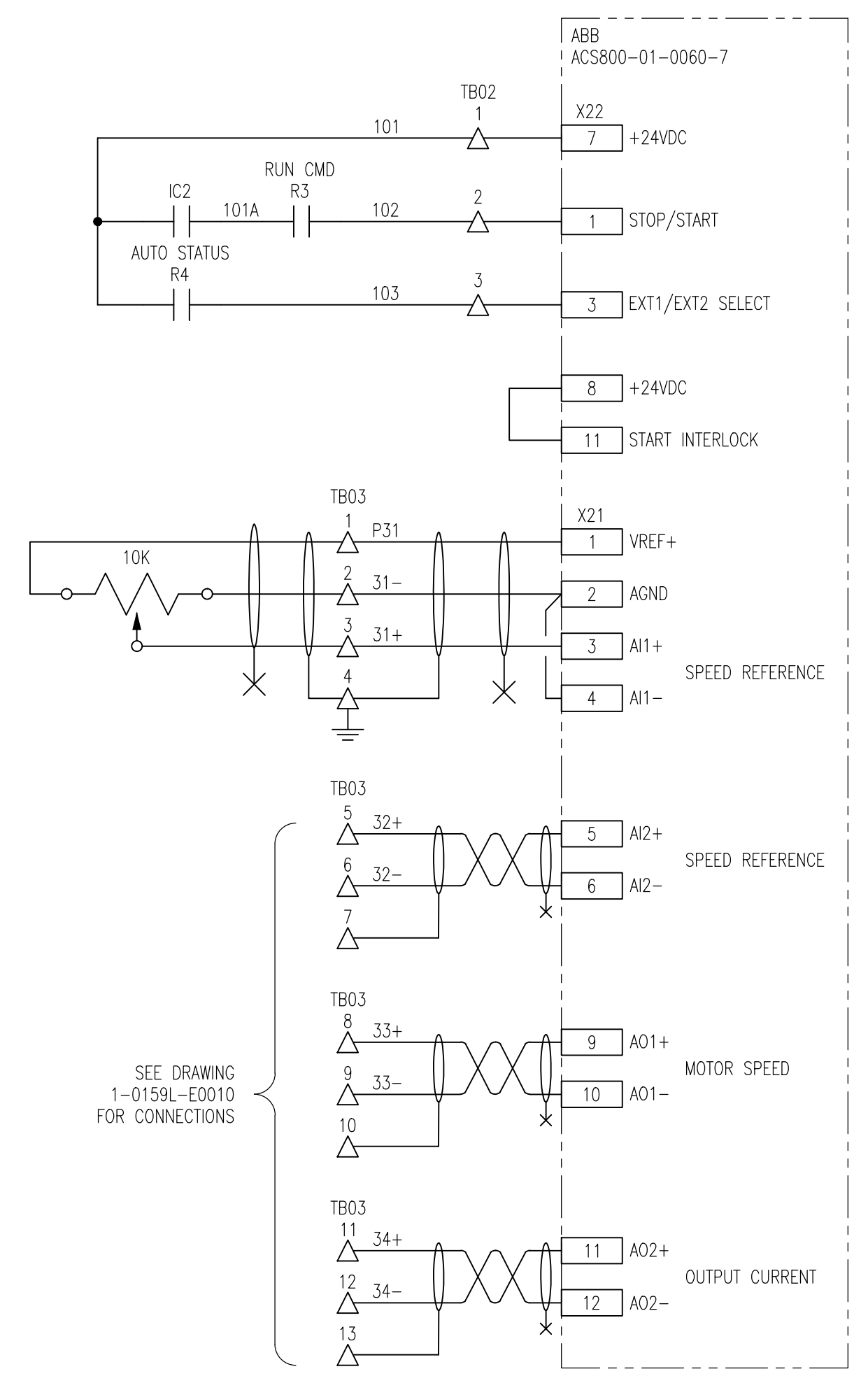
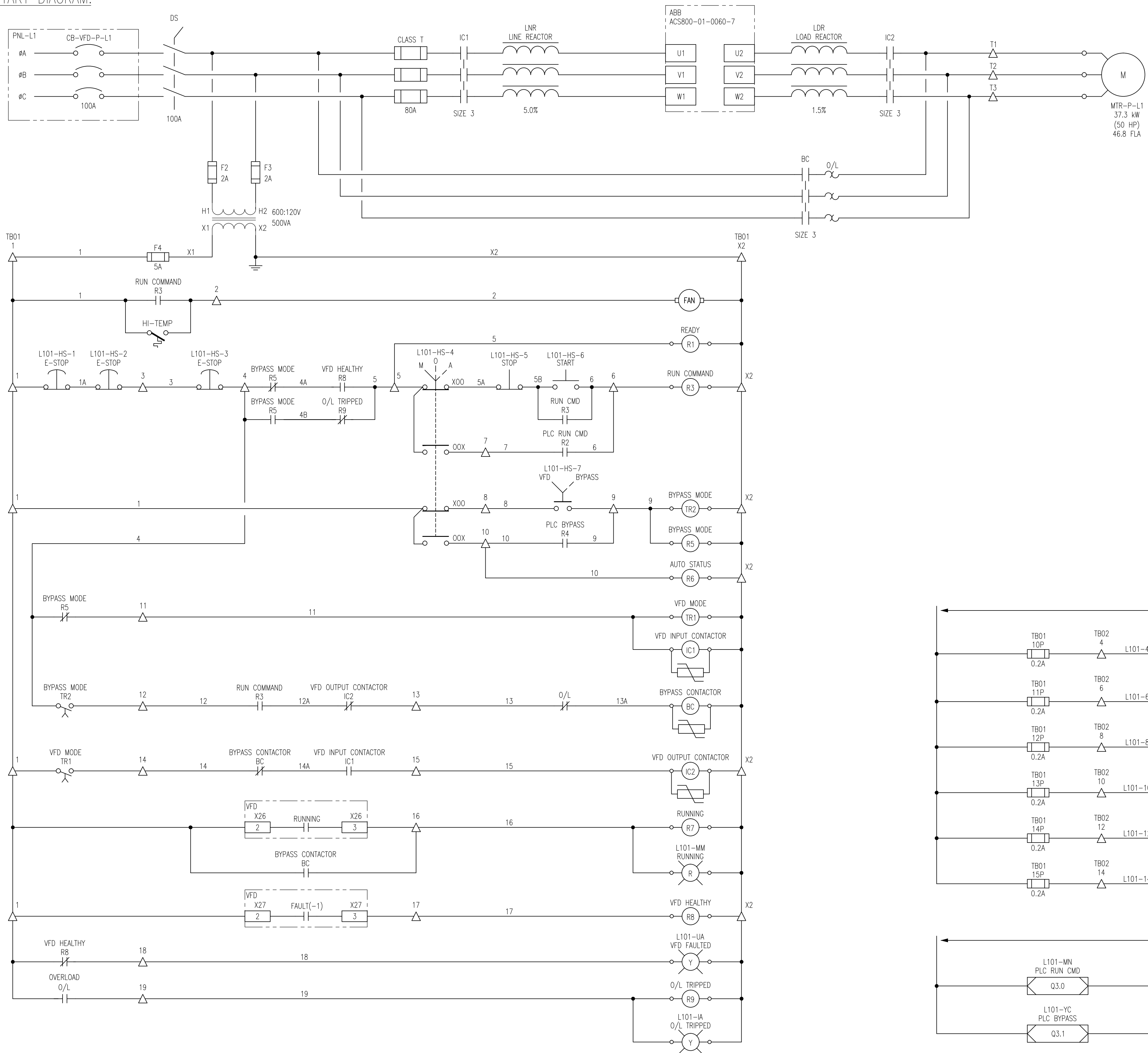


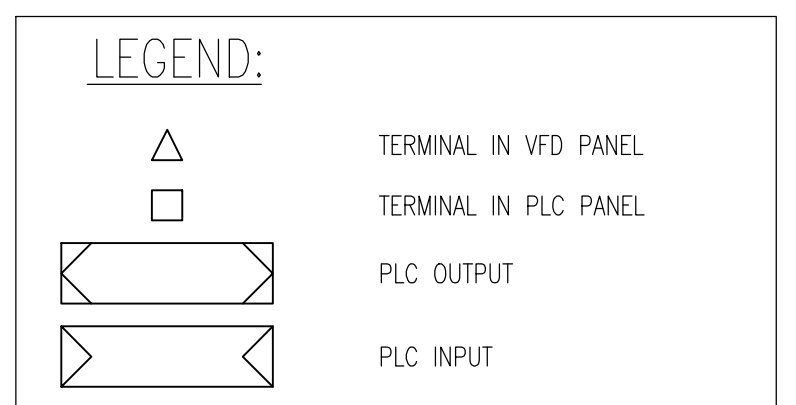
A1 SIZE - 594mm x 841mm

ELEMENTARY DIAGRAM:



LAST SAVE: 2010/10/04 - 1:24pm
PATH: M:\113368\ENGL\47ELE\DD - General DWG\1-0159L-E0009-001-00.dwg

1-0159L-E0010 CONNECTION DIAGRAM - VFD-P-L1 REFERENCE DRAWINGS



<p>SNC-LAVALIN INC. 148 Nature Park Way Winnipeg, MB, Canada R3P 0X7 204-786-8080</p>				<p>ENGINEER'S SEAL</p>	
<p>DESIGNED BY: B. CLEVEN</p>		<p>CHECKED BY: C. REIMER</p>		<p>ORIGINAL DRAWING SEALED BY: C. REIMER</p>	
<p>DRAWN BY: S. JUGANAS</p>		<p>APPROVED BY: C. REIMER</p>		<p>SNC-LAVALIN INC. 2010/10/04 REV. 00</p>	
<p>SCALE: N.T.S.</p>		<p>RELEASED FOR CONSTRUCTION BY: K. ZUREK</p>		<p>DATE: 2010/06/30</p>	
<p>DATE: 2010/06/30</p>		<p>DATE: 2010/10/04</p>		<p>CITY DRAWING NUMBER: 1-0159L-E0009</p>	
<p>ISSUED FOR TENDER</p>		<p>2010/09/29</p>		<p>CONTRACT NO.: 113368-0000-47DD-0009</p>	
<p>NO. REVISIONS</p>		<p>DATE DESIGN CHECK</p>		<p>BID OPP.: 760-2010</p>	
<p>DRAWING NUMBER</p>		<p>REFERENCE DRAWINGS</p>		<p>SHEET REV. SIZE: 001 00 A1</p>	

THE CITY OF WINNIPEG
WATER AND WASTE DEPARTMENT

MARION WASTEWATER PUMPING STATION
INSTALLATION OF PUMPING UNITS & BUILDING UPGRADES
MOTOR STARTER SCHEMATIC
VFD-P-L1
WASTEWATER LIFT PUMP

1-0159L-E0009-001-00.dwg