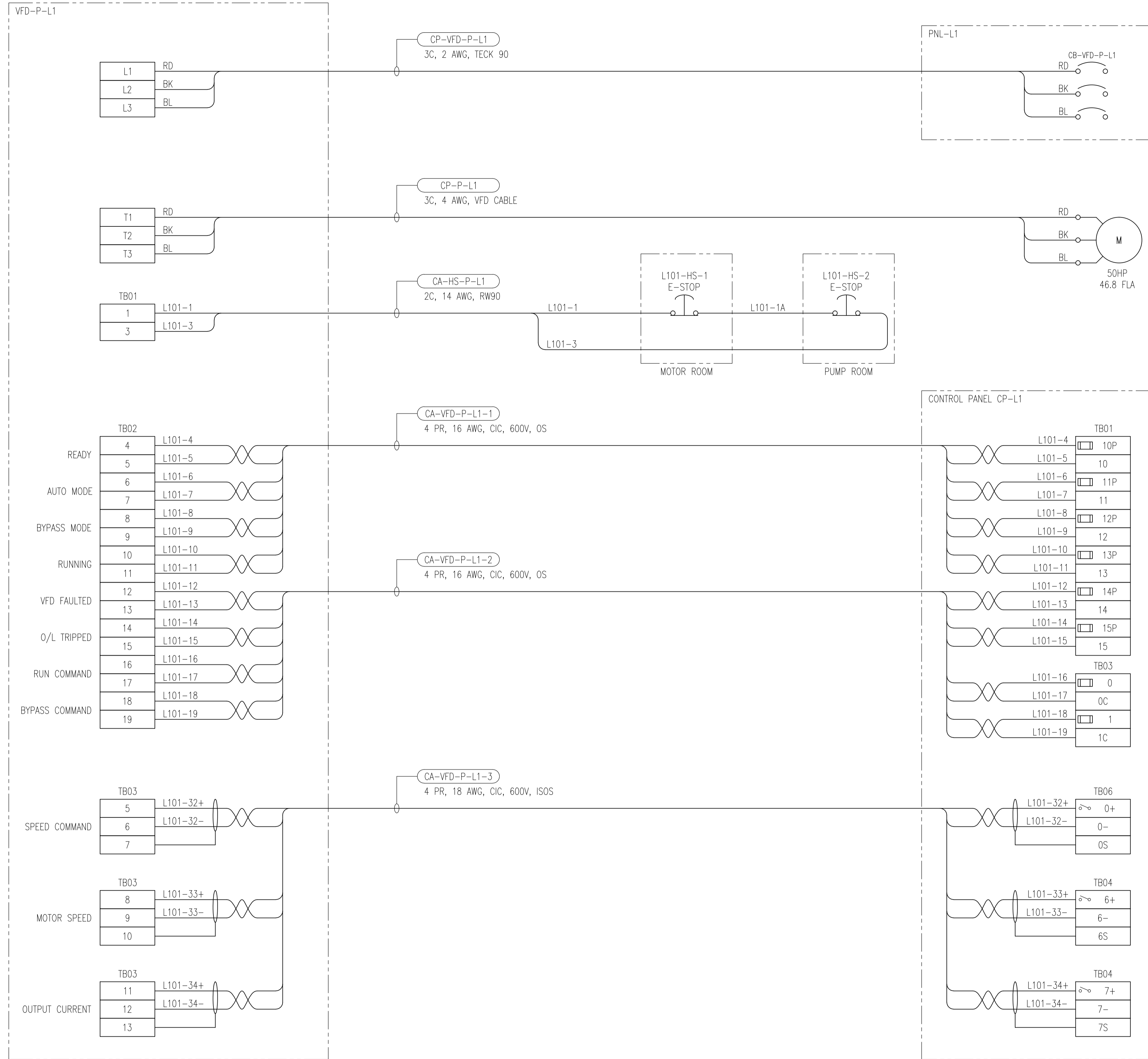


A1 SIZE - 594mm x 841mm

FIELD CONNECTION DIAGRAM:



LAST SAVE: 2010/10/04 - 1:24pm  
PATH: M:\113368\ENGV47ELE\DD - General DWG\1-0159L-E0010-001-00.dwg

1-0159L-E0009	MOTOR STARTER SCHEMATIC - VFD-P-L1
DRAWING NUMBER	REFERENCE DRAWINGS



NO.	REVISIONS	DATE	DESIGN	CHECK
00	ISSUED FOR TENDER	2010/09/29	BC	CJR

 <b>SNC-LAVALIN INC.</b> 148 Nature Park Way Winnipeg, MB, Canada R3P 0X7 204-786-8080	
DESIGNED BY: B. CLEVEN	CHECKED BY: C. REIMER
DRAWN BY: S. COATES	APPROVED BY: C. REIMER
SCALE: N.T.S.	RELEASED FOR CONSTRUCTION BY: K. ZUREK
DATE: 2010/06/30	DATE: 2010/10/04
CONSULTANT NO.: 113368-0000-47DD-0010	

ENGINEER'S SEAL
ORIGINAL DRAWING SEALED BY: C. REIMER SNC-LAVALIN INC. 2010/10/02 REV. 00
BID OPP.: 760-2010

 <b>THE CITY OF WINNIPEG</b> WATER AND WASTE DEPARTMENT		
MARION WASTEWATER PUMPING STATION INSTALLATION OF PUMPING UNITS & BUILDING UPGRADES CONNECTION DIAGRAM VFD-P-L1 WASTEWATER LIFT PUMP		
CITY DRAWING NUMBER <b>1-0159L-E0010</b>	SHEET <b>001</b>	REV. <b>00</b>
SIZE <b>A1</b>		