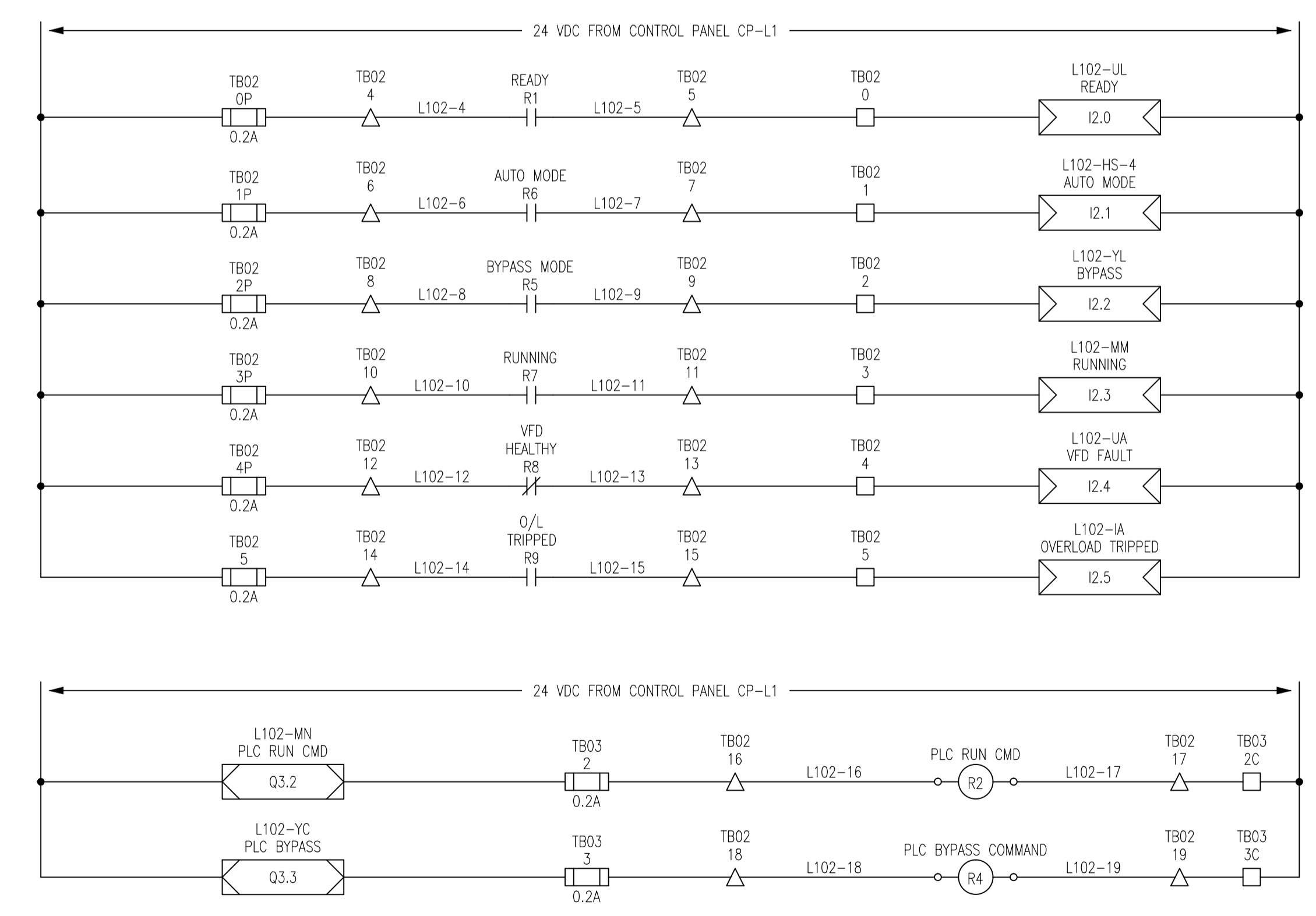
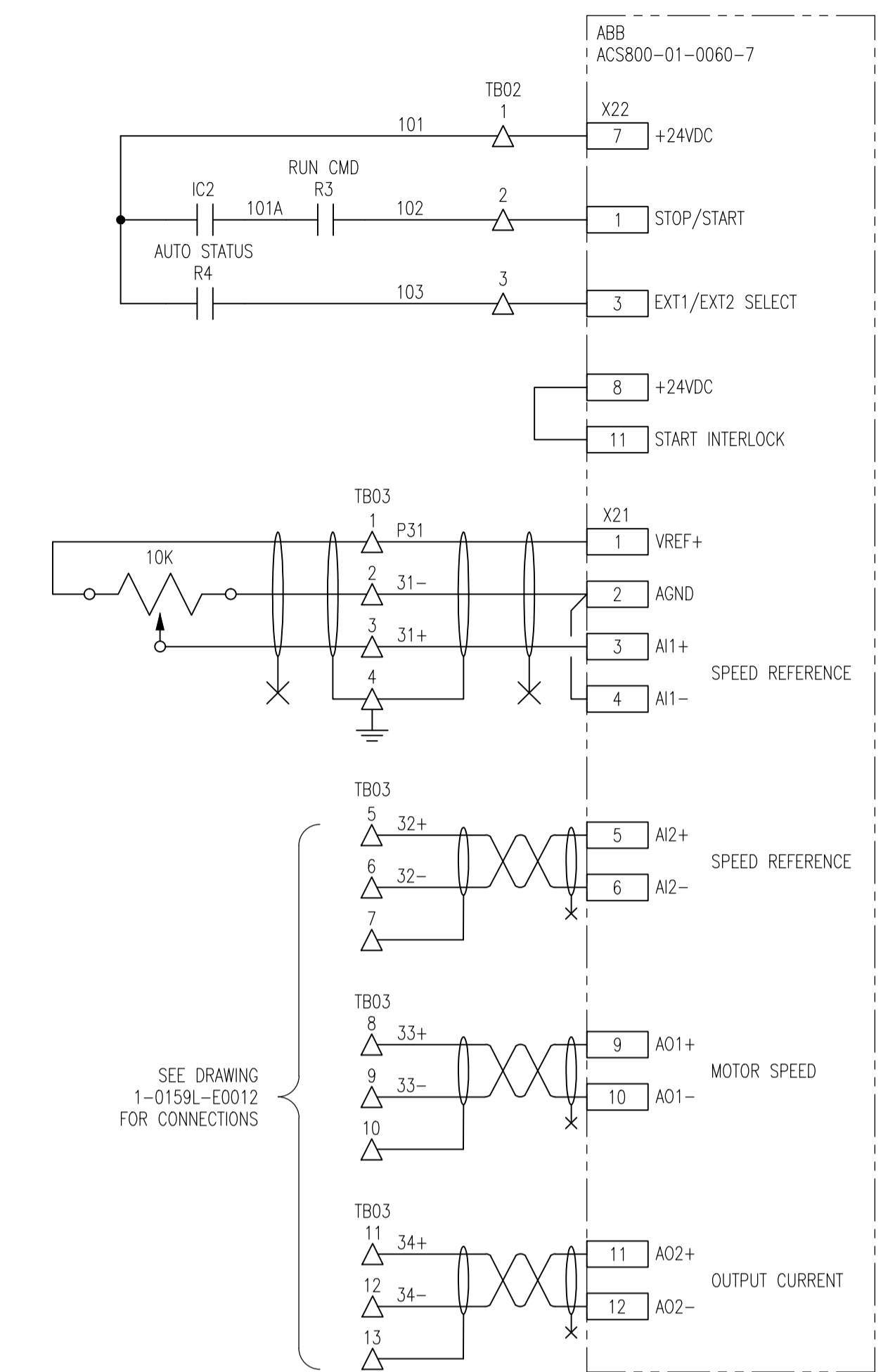
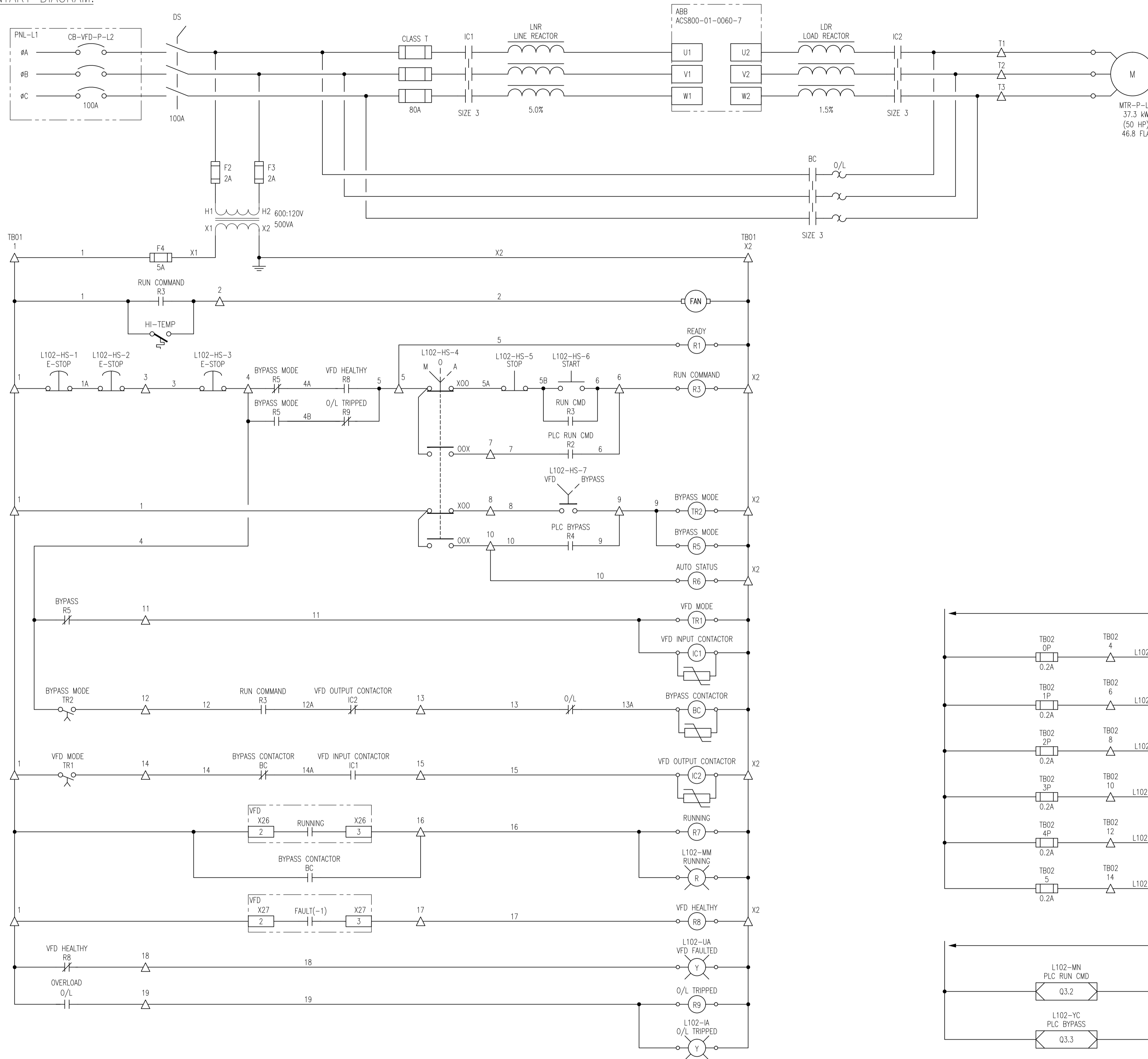
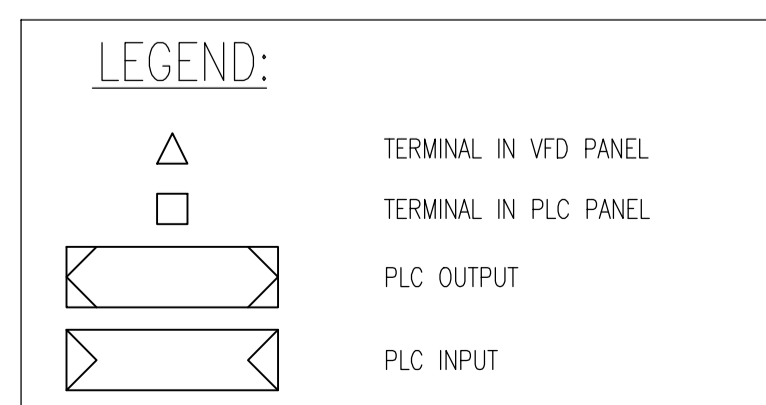


ELEMENTARY DIAGRAM:



LAST SAVE: 2010/10/04 - 1:24pm  
PATH: M:\113368\ENGL\47ELE\DD - General DWG\1-0159L-E0011-001-00.dwg

1-0159L-E0012  
DRAWING NUMBER  
CONNECTION DIAGRAM - VFD-P-L2  
REFERENCE DRAWINGS



 <b>SNC-LAVALIN INC.</b> 148 Nature Park Way Winnipeg, MB, Canada R3P 0X7 204-786-8080				ENGINEER'S SEAL ORIGINAL DRAWING SEALED BY: C. REIMER SNC-LAVALIN INC. 2010/10/02 REV. 00		 <b>THE CITY OF WINNIPEG</b> WATER AND WASTE DEPARTMENT MARION WASTEWATER PUMPING STATION INSTALLATION OF PUMPING UNITS & BUILDING UPGRADES MOTOR STARTER SCHEMATIC VFD-P-L2 WASTEWATER LIFT PUMP					
DESIGNED BY: B. CLEVEN		CHECKED BY: C. REIMER		CITY DRAWING NUMBER <b>1-0159L-E0011</b>		SHEET <b>001</b>		REV. <b>00</b>		SIZE <b>A1</b>	
DRAWN BY: S. COATES		APPROVED BY: C. REIMER		CONSULTANT NO.: 113368-0000-47DD-0011		BID OPP.: 760-2010		NO. REVISIONS		DATE DESIGN CHECK	
SCALE: N.T.S.		RELEASED FOR CONSTRUCTION BY: K. ZUREK		DATE: 2010/07/29		DATE: 2010/10/04		00 ISSUED FOR TENDER		2010/09/29 BC CJR	