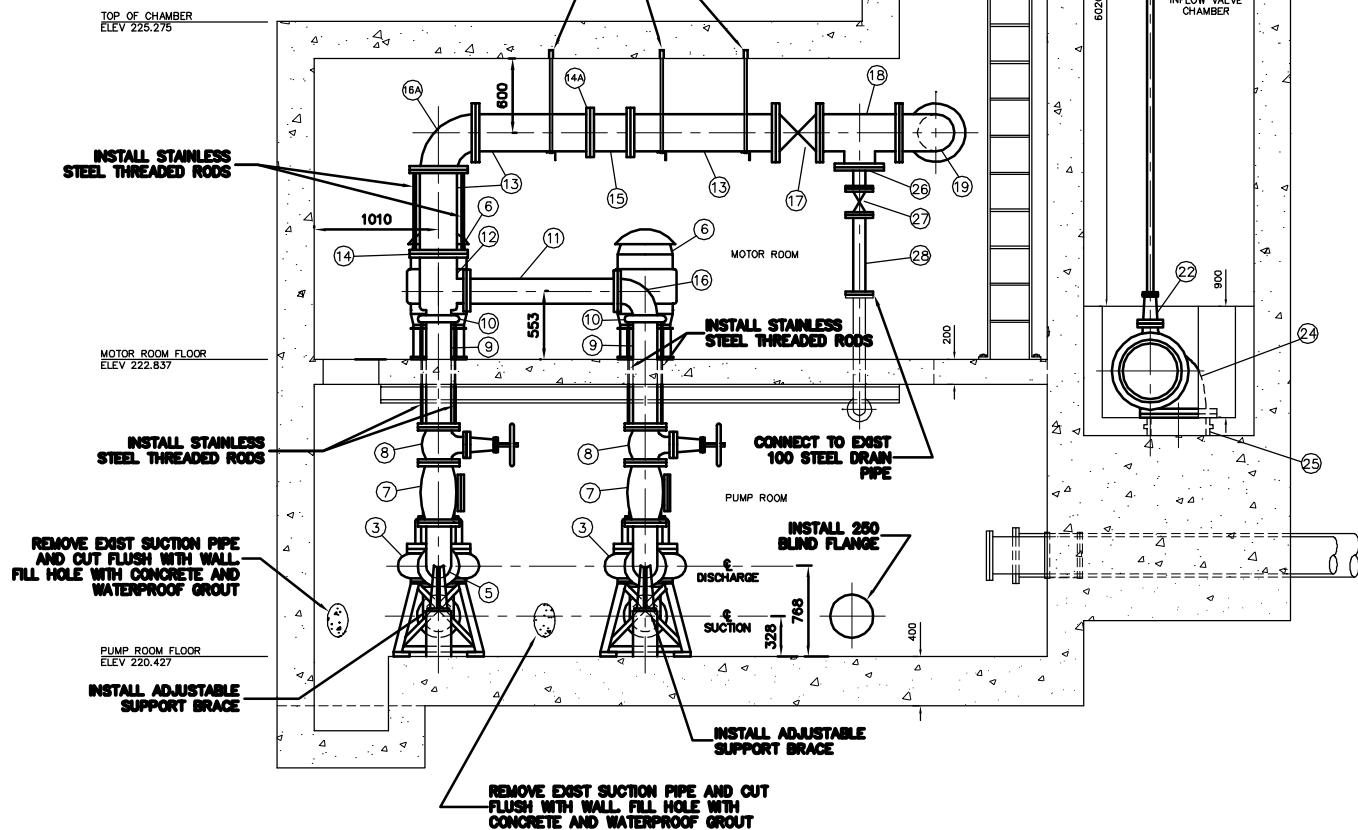


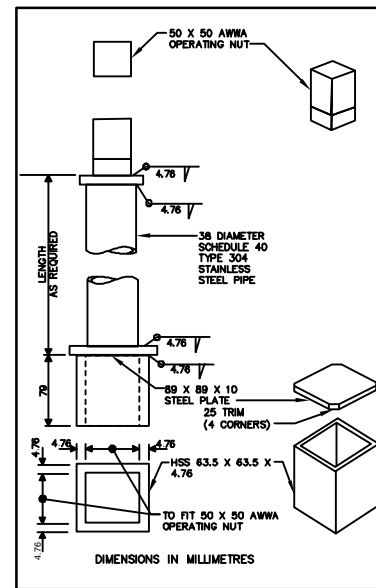
MATERIALS LIST

| ITEM | DESCRIPTION | ENDS | LENGTH | QUANTITY |
|------|--|--------------|----------|----------|
| 1 | 250# SUCTION PIPE | FL X PE | - | 2 |
| 2 | 250# GATE VALVE WITH RISING STEM | FL X FL | 292 | 2 |
| 3 | FLOWSERVE MODEL BMFV-8 PUMP | FL | 762 | 2 * |
| 4 | 200# PIPE | FL | 222± | 2 |
| 5 | 200# CAST IRON 90° LONG RADIUS ELBOW | FL | - | 2 |
| 6 | PUMP MOTOR | - | - | 2 |
| 7 | 200# SWING CHECK VALVE | FL | 495± | 2 |
| 8 | 200# GATE VALVE WITH RISING STEM | FL | 292± | 2 |
| 9 | 200# PIPE | FL X PE | 876± | 2 |
| 10 | 200# UNFLANGE | FL | - | 2 |
| 11 | 200# PIPE | FL | 1176± | 2 |
| 12 | 300 X 200 X 200 TEE | FL | - | 1 |
| 13 | 300# PIPE | FL X FL/PE | AS REQ'D | 3 |
| 14 | 300# UNFLANGE | FL | - | 1 |
| 14A | 300# UNFLANGE | FL | - | 1 |
| 15 | 300# ELECTROMAGNETIC FLOW METER | FL | - | 1 |
| 16 | 200# CAST IRON 90° STD RADIUS BEND | FL X FL | - | 1 |
| 16A | 300# CAST IRON 90° STD RADIUS BEND | FL | - | 2 |
| 17 | 300# GATE VALVE WITH RISING STEM | FL | 356± | 1 |
| 18 | 300 X 300 X 250 REDUCING TEE | FL | 601 | 1 |
| 19 | 300# CAST IRON 90° ELBOW | FL X VICT 44 | - | 1 |
| 20 | EXISTING 300# WALL PEICE | VICT 44 | - | 1 ** |
| 21 | 450# D.I. FLANGE ADAPTOR OR WALL THIMBLE | FL X PE | - | 1 |
| 22 | 450# GATE VALVE WITH RISING STEM | FL X FL | 432 | 1 |
| 23 | 450# 22.5° CAST IRON BEND | FL X FL | - | 1 |
| 24 | 450# 90° CAST IRON BEND | FL X FL | - | 1 |
| 25 | 450# D.I. FLANGE ADAPTOR OR WALL THIMBLE | - | - | 1 |
| 26 | 250# BLIND FLANGE WITH 100# FLANGED OUTLET | FL X FL | - | 1 |
| 27 | 100# FLANGED GATE VALVE | FL X FL | - | 1 |
| 28 | 100# STEEL SPOOL PIECE | FL X FL | - | 1 |

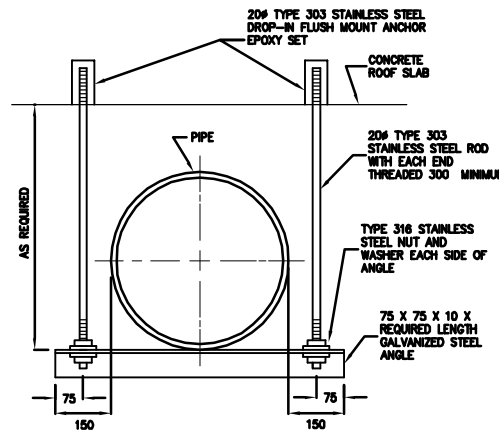
NOTE:
 ALL LENGTHS & DIMENSIONS SHOWN AS ± TO BE FIELD CONFIRMED BY CONTRACTOR
 * ITEMS EXIST OR SUPPLIED BY CITY
 ** ITEMS TO BE REUSED
 - CONTRACTOR TO SUPPLY AND INSTALL POWER CABLES AND CONDUIT FROM PUMP MOTORS TO ELECTRICAL CONTROL PANEL IN STATION



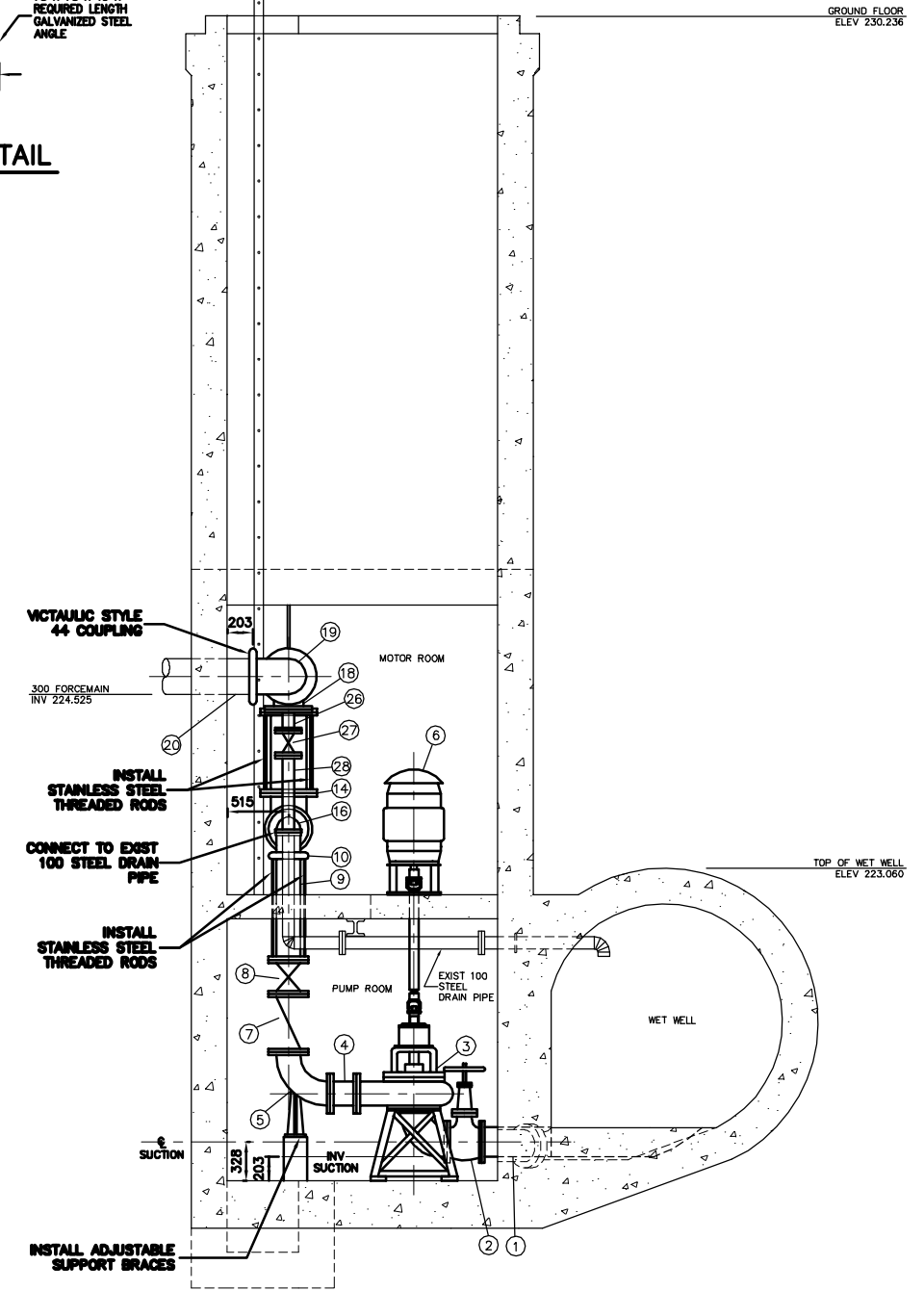
SECTION B-B
SCALE 1:30



VALVE STEM EXTENSION DETAIL
NTS



PIPE HANGER DETAIL
NTS



SECTION C-C
SCALE 1:30

FOR CONSTRUCTION
NOTES SEE DWG
1-0159L-M0001-001

METRIC
WHOLE NUMBERS INDICATE MILLIMETRES
DECIMALIZED NUMBERS INDICATE METRES

| | | | | | |
|------------------|-----------------|--|--|---|---|
| B.M. ELEV. | FELD BOOK #: | CITY OF WINNIPEG WATER AND WASTE ENGINEERING DIVISION | ENGINEER'S SEAL ORIGINAL SIGNED BY K.R. ZUREK 10/10/04 | THE CITY OF WINNIPEG WATER AND WASTE DEPARTMENT | CITY DRAWING NUMBER 1-0159L-M0002-001 |
| POSTED TO LBS | | | | | |
| DESIGNED BY: DB | CHECKED BY: KZ | HON. SCALE: AS VERTICAL: SHOWN DATE: 2010 10 04 | RELEASED FOR CONSTRUCTION K.R. ZUREK DATE: 2010 10 04 | BID OPPORTUNITY: 760-2010 FILENAME: 1-0159L-M0002-001.dwg PLOT DATE: 2010 10 04 | |
| DRAWN BY: C.J.H. | APPROVED BY: KZ | INSTALLATION OF PUMPING UNITS AND BUILDING UPGRADES TO THE MARION PUMPING STATION SECTION VIEWS | | | |
| NO. REVISIONS | DATE BY | | | | |