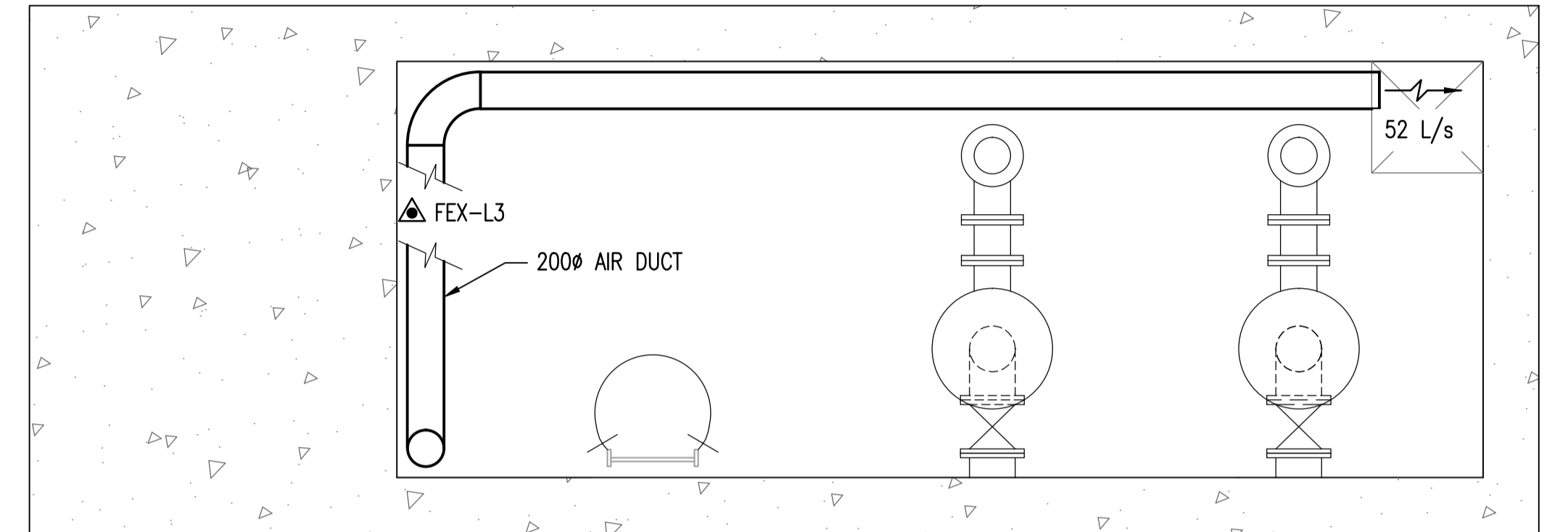


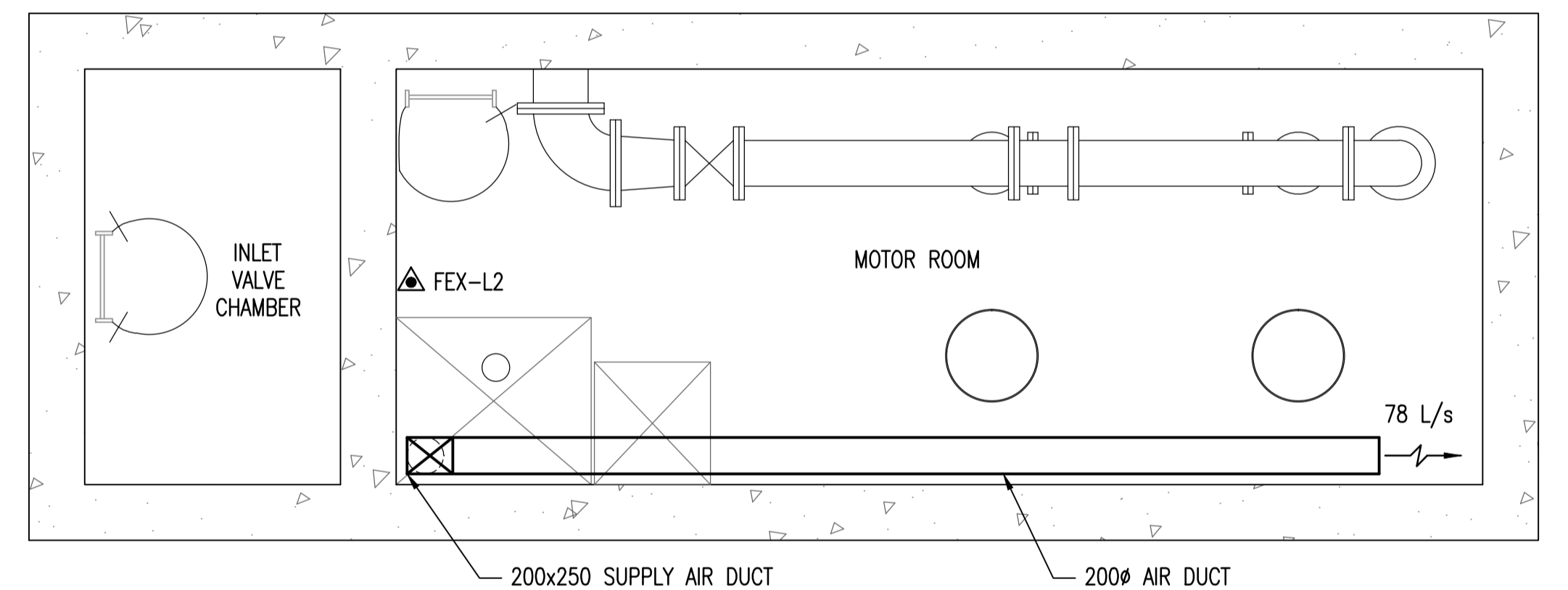
**A**  
 M0003  
**HVAC SECTION**  
 SCALE: 1 : 40

**LEGEND**

	FIRE EXTINGUISHER
	MOTORIZED DAMPER ACTUATOR
	INSULATION



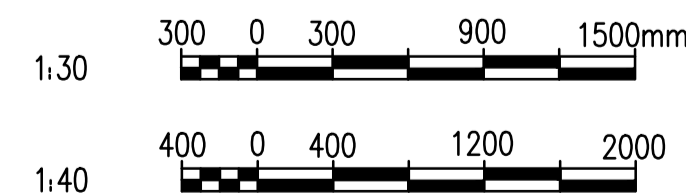
**HVAC PLAN - PUMP ROOM - EL. 220.427**  
 SCALE: 1 : 30



**HVAC PLAN - MOTOR ROOM & INLET VALVE CHAMBER - EL. 228.837**  
 SCALE: 1 : 30

**GENERAL NOTES:**

- SEE DWG 1-0159L-M0003 FOR FIRE EXTINGUISHER SCHEDULE.



 SNC-LAVALIN INC. 148 Nature Park Way Winnipeg, MB, Canada R3P 0X7 204-786-8080			ENGINEER'S SEAL  ORIGINAL DRAWING SEALED BY: S. NORSWORTHY SNC-LAVALIN INC. MEMBER # 20725 2010/10/01 REV. 00		 THE CITY OF WINNIPEG WATER AND WASTE DEPARTMENT  MARION WASTEWATER PUMPING STATION INSTALLATION OF PUMPING UNITS & BUILDING UPGRADES HVAC & PIPING PLANS & SECTION	
DESIGNED BY: S. NORSWORTHY DRAWN BY: S. COATES SCALE: AS NOTED DATE: 2010/08/17			CHECKED BY: S. NORSWORTHY APPROVED BY: C. REIMER RELEASED FOR CONSTRUCTION BY: K. ZUREK DATE: 2010/10/04		CITY DRAWING NUMBER 1-0159L-M0004	
CONSULTANT NO.: 113368-0000-45DD-0004			BID OPP.: 760-2010		SHEET REV. SIZE 001 00 A1	
00 ISSUED FOR TENDER 2010/09/29 SN			NO. REVISIONS DATE DESIGN CHECK		1-0159L-M0004-001-00.dwg	