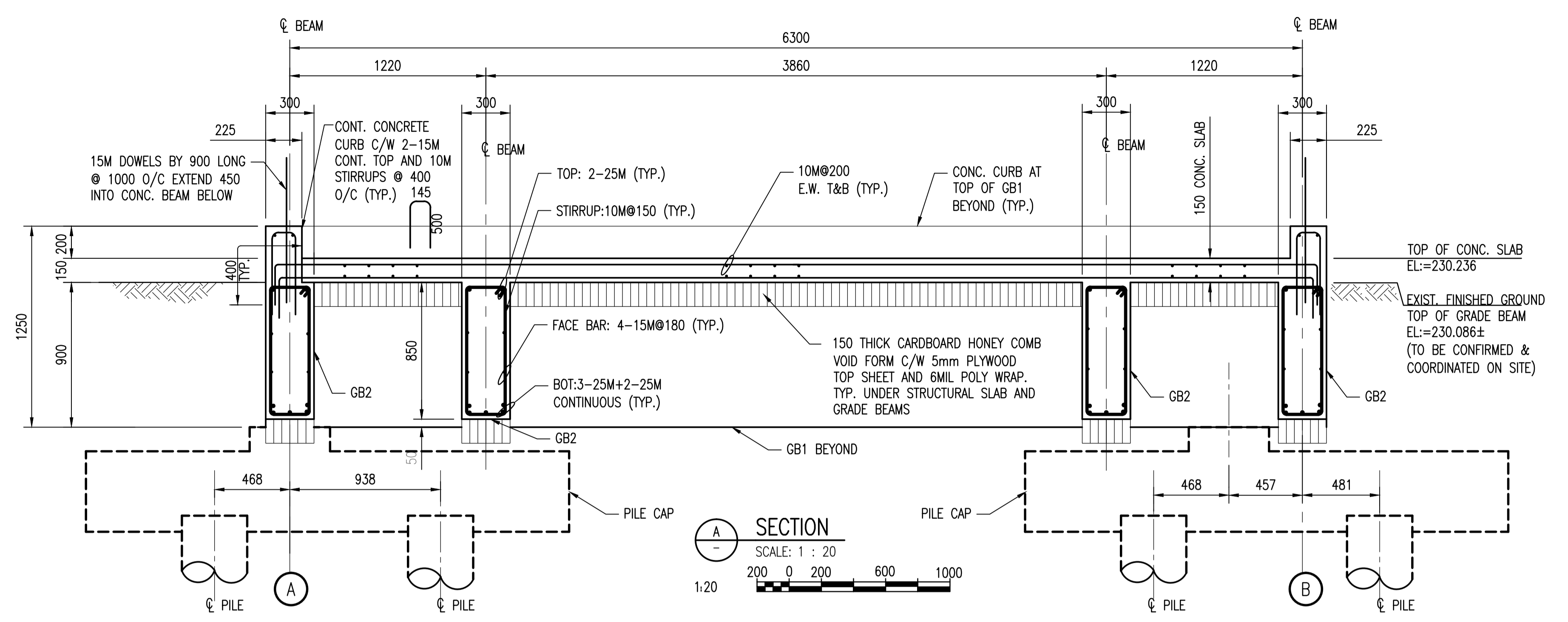
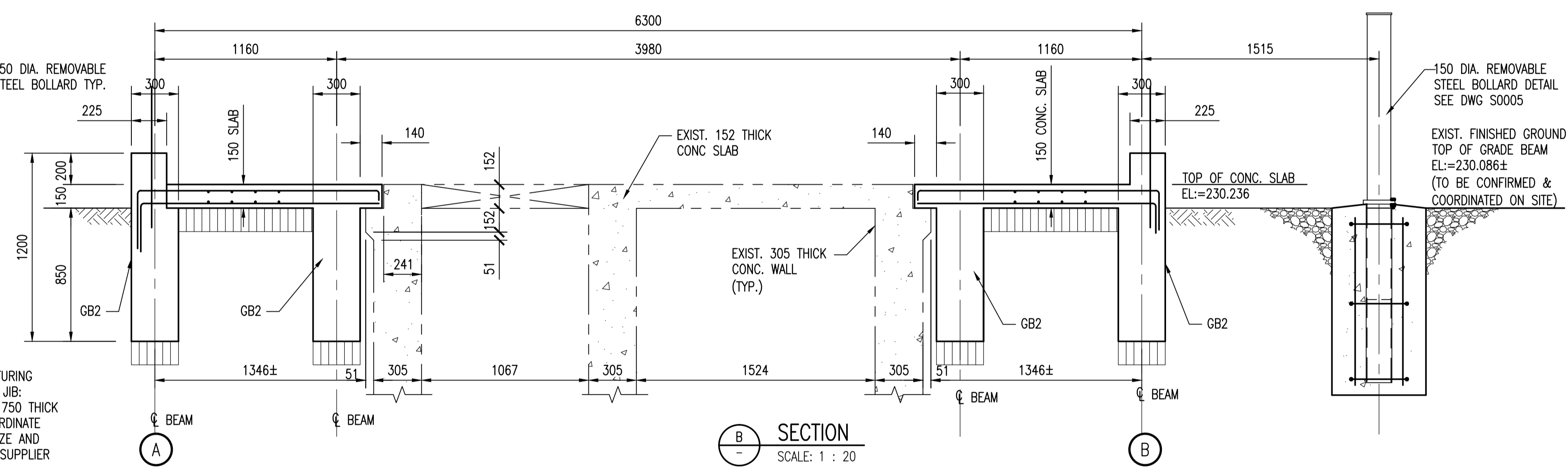


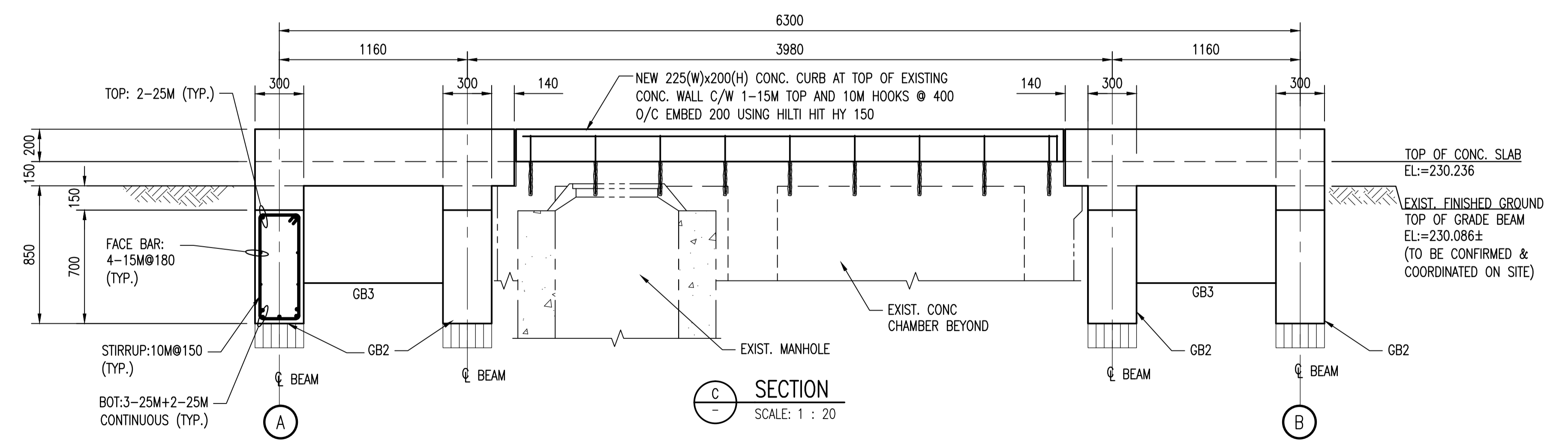
**PLAN-STRUCTURAL SLAB AT EL.= 230.236**  
 SCALE: 1 : 40  
 1:40 0 400 1200 2000  
 NOTE: ENSURE BOTTOM LOWER AND TOP UPPER SLAB REINFORCING STEEL IS PLACED PARALLEL TO THE INDICATED SPAN DIRECTIONS.



**SECTION A-A**  
 SCALE: 1 : 20  
 1:20 200 0 200 600 1000



**SECTION B-B**  
 SCALE: 1 : 20



**SECTION C-C**  
 SCALE: 1 : 20



SNC-Lavalin Inc. 148 Nature Park Way Winnipeg, MB, Canada R3P 0X7 204-786-8080		ENGINEER'S SEAL  ORIGINAL DRAWING SEALED BY: ANTHONY DEGER SNC-Lavalin 2010/10/01 REV. 00	THE CITY OF WINNIPEG WATER AND WASTE DEPARTMENT  MARION WASTEWATER PUMPING STATION INSTALLATION OF PUMPING UNITS & BUILDING UPGRADES PLAN & SECTIONS STRUCTURAL SLAB
DESIGNED BY: A. DEGER	CHECKED BY: R. BEAN	CITY DRAWING NUMBER 1-0159L-S0003	
DRAWN BY: L. GAO	APPROVED BY: C. REIMER		
SCALE: AS SHOWN	RELEASED FOR CONSTRUCTION BY: K. ZUREK	CONSULTANT NO.: 113368-0000-42DD-0003	SIZE A1
DATE: 2010/07/07	DATE: 2010/10/04	BID OPP.: 760-2010	1-0159L-S0003-001-00.dwg
00 ISSUED FOR TENDER	2010/10/01	AD RB	NO. REVISIONS