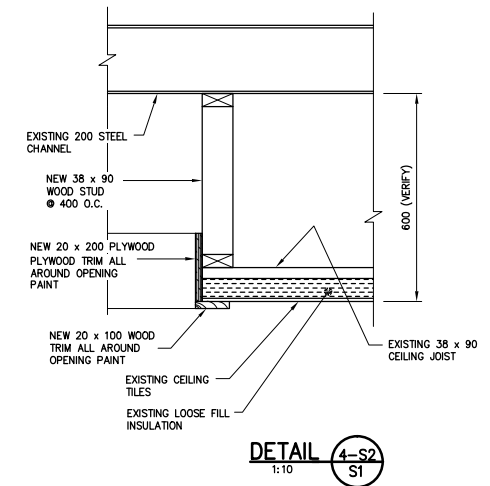
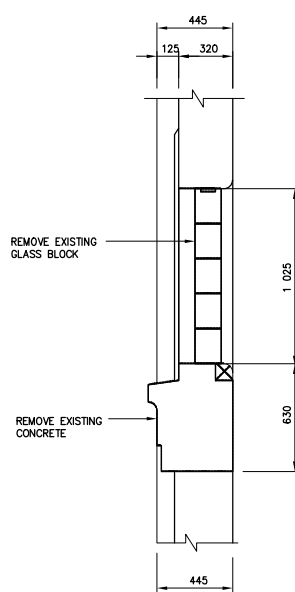


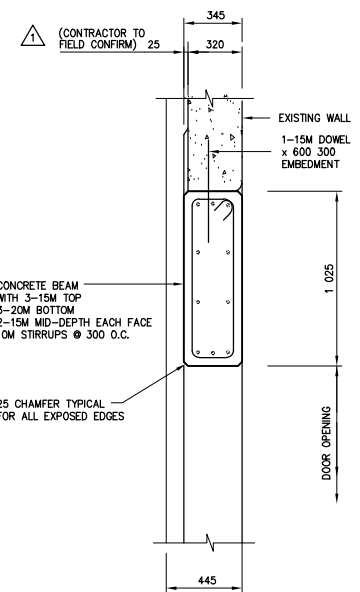
DETAIL 1-S2 S1
1:20



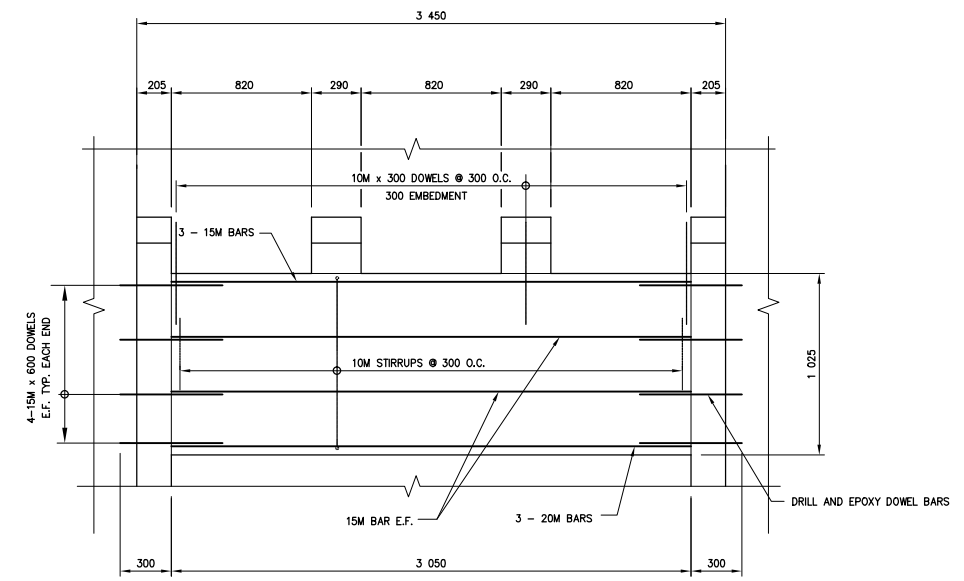
DETAIL 4-S2 S1
1:10



DETAIL 2-S2 S1
1:20

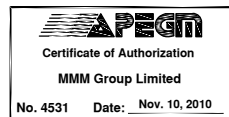


DETAIL 3-S2 S1
1:20



REINFORCING ELEVATION
1:20

ALL DIMENSIONS TO EXISTING SURFACES SHALL BE TAKEN AS ±. VERIFY PRIOR TO CONSTRUCTION.



NOTE: These design documents are prepared solely for the use by the party with whom the design professional has entered into a contract and there are no representations of any kind made by the design professional to any party with whom the design professional has not entered into a contract.

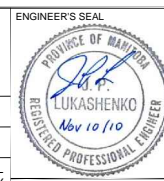
A-B C
A = DETAIL/SECTION No.
B = DRAWING WHERE SHOWN
C = DRAWING WHERE TAKEN

METRIC
WHOLE NUMBERS INDICATE MILLIMETRES
DECIMALIZED NUMBERS INDICATE METRES

G.B.M. ELEV.					
DESIGNED BY	MW	CHECKED BY	JPL		
DRAWN BY	C.J.L./RCS	APPROVED BY	JPL		
HOR. SCALE	AS NOTED	RELEASED FOR CONSTRUCTION	ORIGINAL SIGNED BY		
VERT. SCALE	AS NOTED		K. ZUREK, P. ENG.		
1	ADDENDUM No. 2	10 11 24	JPL		
0	ISSUED FOR TENDER	10 11 10	JPL		
No.	REVISIONS	DATE	BY	DATE	10 11 10



MMM Group Limited
Suite 111 - 90 Lombard Ave.
Winnipeg, MB R3B 3B1
t. 204.943.3178 | f. 204.943.4948
www.mmm.ca



THE CITY OF WINNIPEG
WATER AND WASTE DEPARTMENT
Winnipeg

GARAGE OVERHEAD DOOR
RETROFIT
360 McPHILLIPS STREET, WINNIPEG, MB.
SECTIONS & DETAILS

CONSULTANT DRAWING NUMBER
5510032-S2
SHEET 2 OF 2
CITY DRAWING NUMBER
D - 12273

BID OPPORTUNITY 766-2010
PLOT DATE: 10 11 10

Nov 24, 2010 - 2:35PM
S:\101032\5510032-S2\Garage Door Retrofit - 360 McPhillips\MMM Drawings\5510032.mxd\jpl.dwg 10/12/2010 jpl