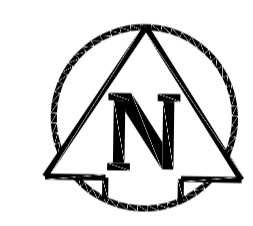
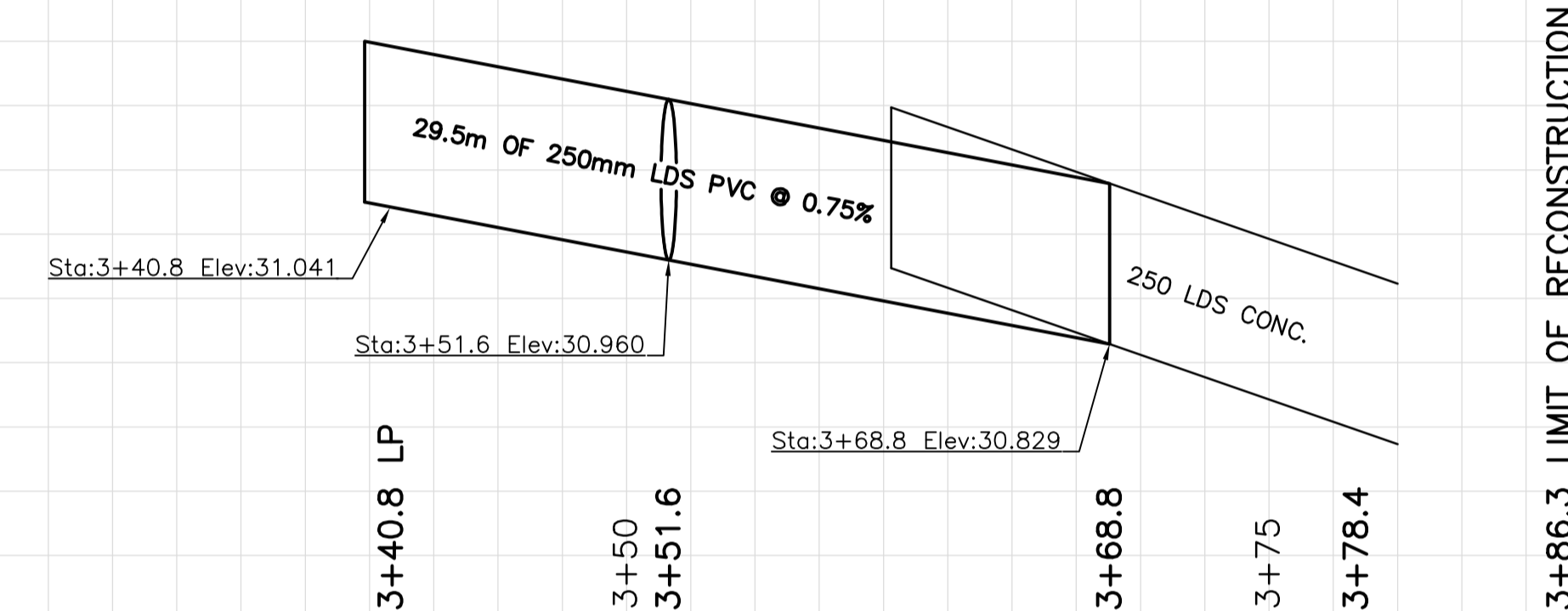
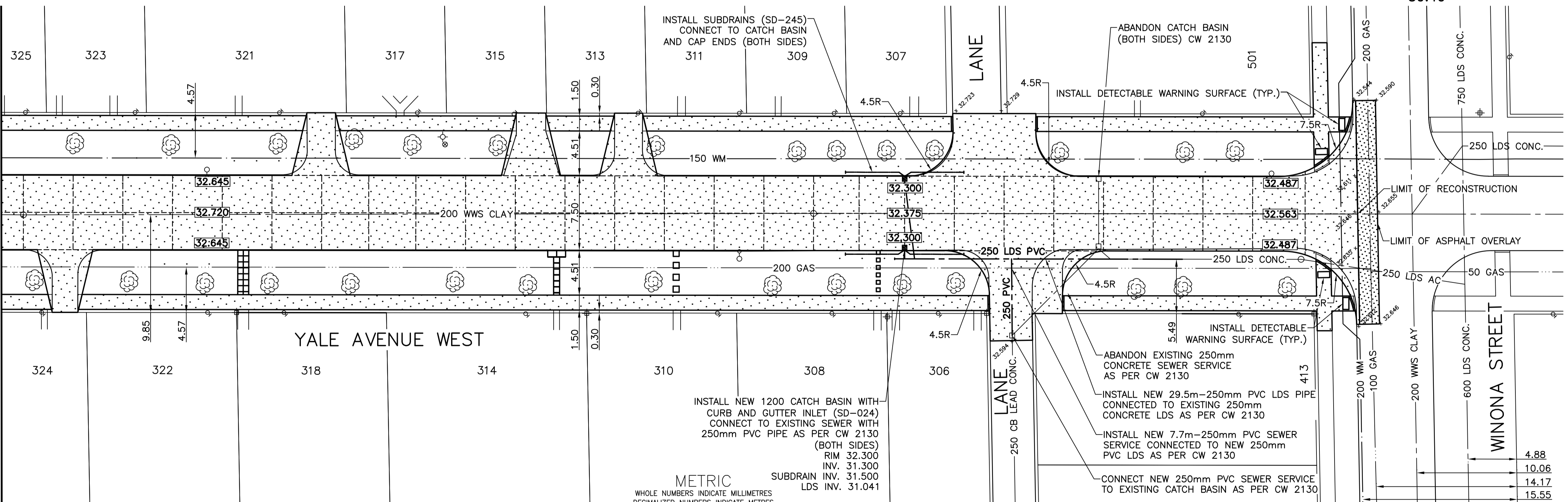


35.30
33.20
33.10
33.00
32.90
32.80
32.70
32.60
32.50
32.40
32.30
32.20
32.10
32.00
31.90
31.80
31.70
31.60
31.50
31.40
31.30
31.20
31.10
31.00
30.90
30.80
30.70
30.60
30.50
30.40

35.30
33.20
33.10
33.00
32.90
32.80
32.70
32.60
32.50
32.40
32.30
32.20
32.10
32.00
31.90
31.80
31.70
31.60
31.50
31.40
31.30
31.20
31.10
31.00
30.90
30.80
30.70
30.60
30.50
30.40

MATCHLINE STA 2+50



**PRELIMINARY
NOT FOR
CONSTRUCTION**

- CONSTRUCTION NOTES**
- 1) CURB REPLACEMENT AS DIRECTED BY THE CONTRACT ADMINISTRATOR SHALL BE REPLACED AS MODIFIED OR AS DIRECTED BY THE CONTRACT ADMINISTRATOR
 - 2) PAVEMENT REPAIRS SHOWN ARE ONLY A REPRESENTATIVE SAMPLE OF THE TENDERED QUANTITIES
 - 3) ASPHALT TIE-INS ON APPROACHES TO BE DETERMINED IN THE FIELD BY THE CONTRACT ADMINISTRATOR.
 - 4) ALL BULLNOSES TO HAVE SLOPED FACE.

WARNING

IF POWER EQUIPMENT OR EXPLOSIVES ARE TO BE USED FOR EXCAVATION ON THIS PROJECT THE CONTRACTOR MUST:

- 1) OBTAIN CLEARANCE FROM THE GAS UTILITY PRIOR TO EXCAVATION.
- 2) TAKE PRECAUTION TO AVOID DAMAGE TO GAS UTILITY INSTALLATIONS.

SEE PROVINCIAL REGULATION 210/72 FOR DETAILS

BID OPPORTUNITY NO. 8-2010

EXISTING	LEGEND - PLAN	PROPOSED	EXISTING	LEGEND - PLAN	PROPOSED	EXISTING	LEGEND - PROFILE	PROPOSED
⊕	HYDRANT	⊕	---	LDS/WWS	---	---	NORTH GUTTER	---
⊙	VALVE	⊙	---	WATERMAIN	---	---	CENTER LINE	---
⊔	CURB STOP	⊔	---	GAS	---	---	SOUTH GUTTER	---
▣	CONCRETE	▣	---	TRAFFIC SIGNALS	---	---	NORTH BACK OF WALK	---
○	O.L.S.	○	---	ASPHALT	---	---	SOUTH BACK OF WALK	---
○	MANHOLE	●	---	CURB RENEWAL	---	---		---
□	CATCH BASIN	■	231.000	ELEVATIONS	231.000			
△	CURB INLET	▲		PROPERTY LINE	---			
☆	HYDRO POLE	⊕		SURVEY BAR	---			
⊕	TRAFFIC SIGNAL POLE	⊕		GEODETIC BENCH MARK	---			
				RAMP CURB	---			

METRIC
WHOLE NUMBERS INDICATE MILLIMETRES
DECIMALIZED NUMBERS INDICATE METRES

LOCATION APPROVED
UNDERGROUND STRUCTURES

GBM 30-044
232.577

ENGINEERING DIVISION
TECHNOLOGY SERVICES BRANCH
106 - 1155 PACIFIC AVE

DESIGNED BY: A.P./B.T.
CHECKED BY: A.P./G.C.

DRAWN BY: B.T.
APPROVED BY:

HOR. SCALE: 1 : 250
VERTICAL: 1 : 10

DATE: 2010/03/08

NOTE:
LOCATION OF UNDERGROUND STRUCTURES AS SHOWN ARE BASED ON THE BEST INFORMATION AVAILABLE. BUT NO GUARANTEE IS GIVEN THAT ALL EXISTING UTILITIES ARE SHOWN OR THAT THE GIVEN LOCATIONS ARE EXACT. CONFIRMATION OF EXISTENCE AND EXACT LOCATION OF ALL SERVICES MUST BE OBTAINED FROM THE INDIVIDUAL UTILITIES BEFORE PROCEEDING WITH CONSTRUCTION.

NO.	REVISIONS	DATE	BY

ENGINEER'S SEAL

THE CITY OF WINNIPEG
PUBLIC WORKS DEPARTMENT

Winnipeg

YALE AVENUE WEST
FROM MADELINE STREET TO WINONA STREET
RECONSTRUCTION AND ASSOCIATED WORKS
FROM STA. 2+50 TO STA. 3+86

CITY DRAWING NUMBER SE-10-11
SHEET 2 OF 2

5