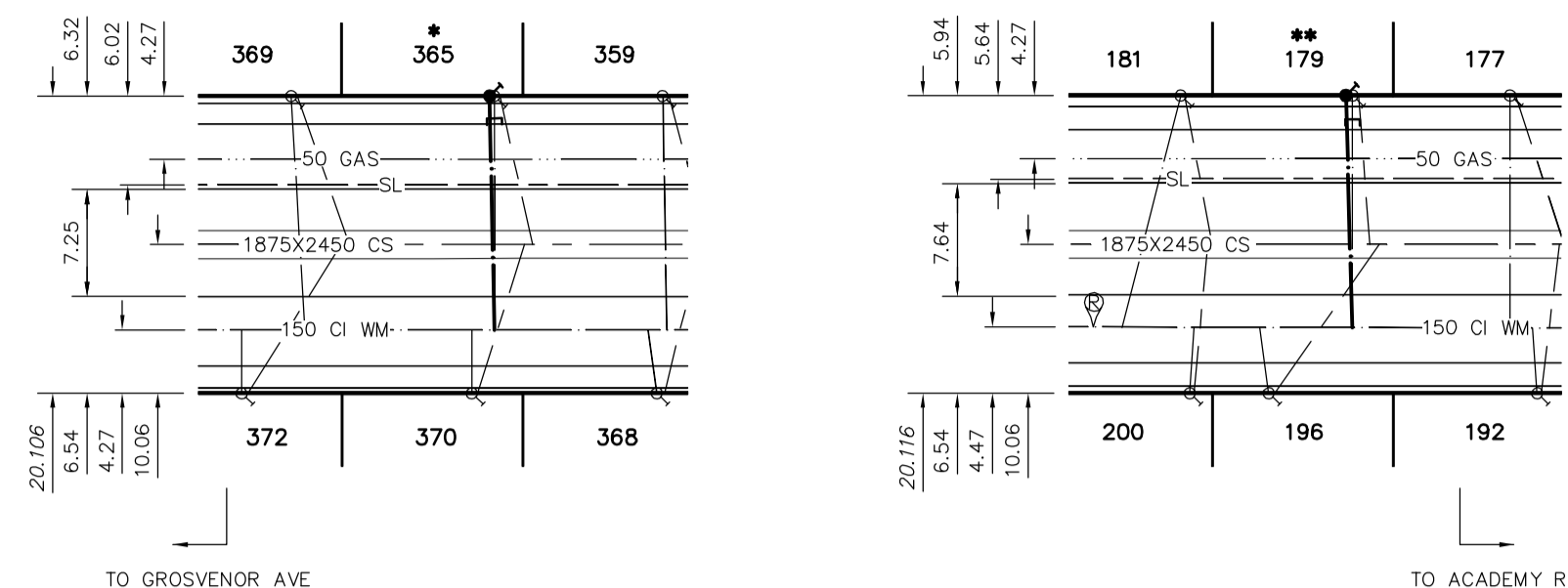


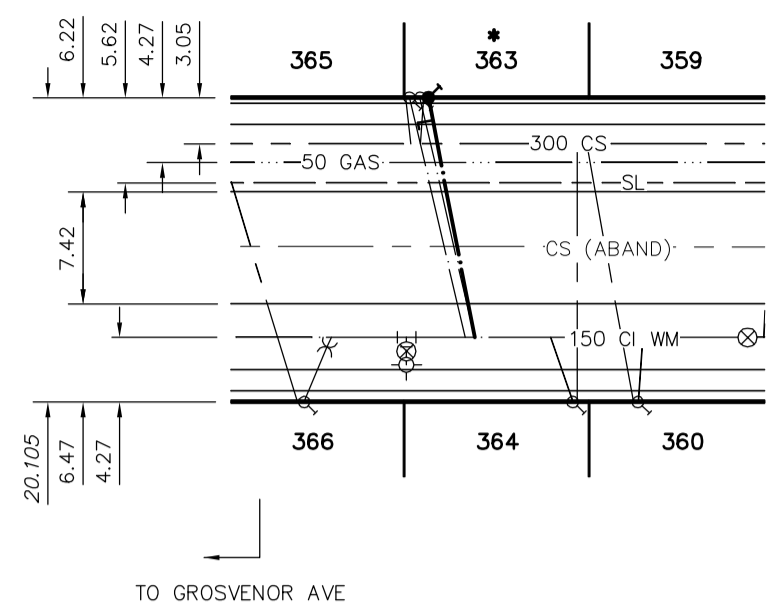
ASH STREET

CAUTION:
GAS & SL ON W SIDE OF ASH



ELM STREET

CAUTION:
GAS, CS & SL ON W SIDE OF CAMPBELL



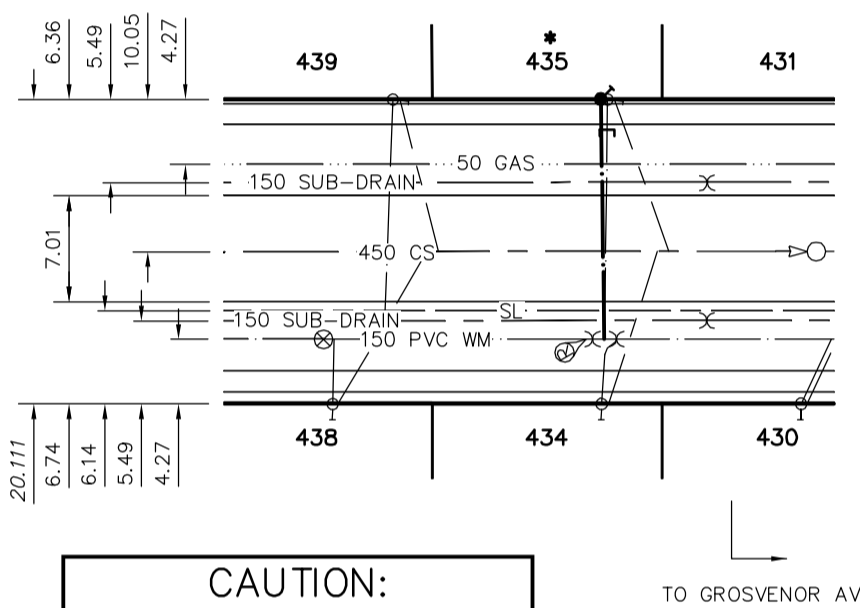
WATER SERVICE INFORMATION

ADDRESS	SIZE(mm) & TYPE (STREET)	SIZE(mm) & TYPE (PROP.)	SHORT & LONG MEASUREMENT	CORP. LOCATION	REMARKS
** 179 ASH ST	20 COPPER	20 LEAD	2.39 SNL HSE	OPP S/C	RENEW TO R W/20 COPPER
* 365 ASH ST	12 LEAD	20 COPPER	88.36 SSL ACADEMY	OPP S/C	RENEW TO R W/20 COPPER
** 120-40 NNL GROSVENOR	20 COPPER	20 COPPER	1.41 SNL HSE	OPP S/C	RENEW TO R W/20 COPPER
** 309 ELM ST	20 COPPER	20 COPPER	120.40 NNL GROSVENOR	OPP S/C	RENEW TO R W/20 COPPER
** 363 ELM ST	20 COPPER	20 COPPER	95.84 SSL KINGSWAY	1.3 N OF S/C	RENEW TO R W/20 COPPER
** 363 ELM ST	20 POLY	20 COPPER	98.81 NNL GROSVENOR	3.6 N OF S/C	RENEW TO R W/20 COPPER
** 247 MONTROSE ST	20 COPPER	20 COPPER	2.86 SNL HSE	OPP S/C	RENEW TO R W/20 COPPER
** 309 MONTROSE ST	20 COPPER	20 COPPER	118.65 NNL KINGSWAY	OPP S/C	RENEW TO R W/20 COPPER
** 309 MONTROSE ST	20 COPPER	20 COPPER	7.16 SNL HSE	OPP S/C	RENEW TO R W/20 COPPER
** 435 MONTROSE ST	20 COPPER	20 COPPER	115.23 SSL KINGSWAY	OPP S/C	RENEW TO R W/20 COPPER
** 303 WAVERLEY ST	20 LEAD	20 COPPER	4.51 EWL HSE	0.2 S OF S/C	RENEW TO R W/20 COPPER
** 303 WAVERLEY ST	20 LEAD	20 COPPER	95.28 SSL GROSVENOR	OPP S/C	RENEW TO R W/20 COPPER
** 465 OXFORD ST	20 COPPER	20 COPPER	3.14 SNL HSE	OPP S/C	RENEW TO R W/20 COPPER
** 717 CAMBRIDGE ST	20 COPPER	20 COPPER	133.96 NNL CORYDON	OPP S/C	RENEW TO R W/20 COPPER
** 279 HARVARD AVE	20 COPPER	20 COPPER	0.46 NNL HSE	0.9 N OF S/C	RENEW TO R W/20 COPPER
** 279 HARVARD AVE	20 COPPER	20 COPPER	3.42 SNL LORETTE	OPP S/C	RENEW TO R W/20 COPPER
** 235 YALE AVE	16 LEAD	20 LEAD	0.67 EWL HSE	OPP S/C	RENEW TO R W/20 COPPER
** 235 YALE AVE	16 LEAD	20 LEAD	42.22 EEL WILTON	OPP S/C	RENEW TO R W/20 COPPER

* - LEAD OR PLASTIC (POLY) ON CITY SIDE
** - PREVIOUSLY FROZEN ON CITY SIDE

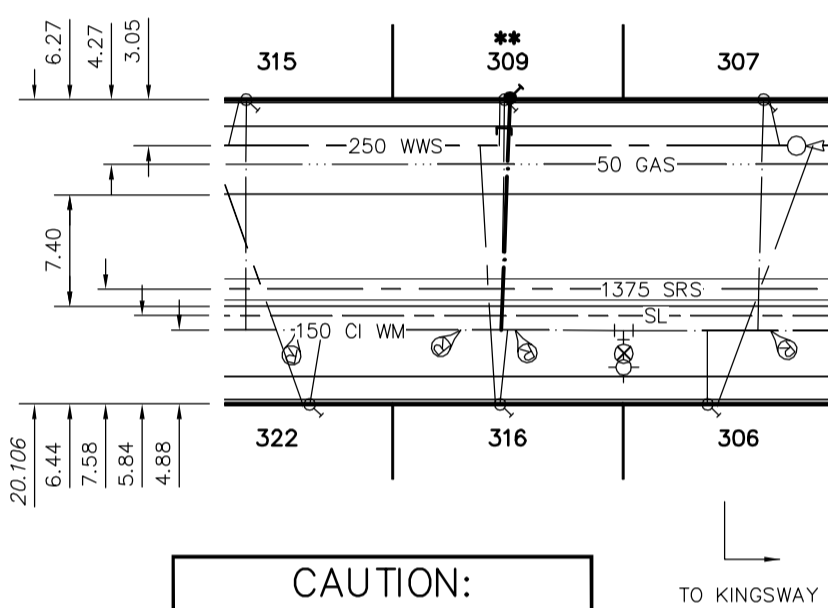
- CONSTRUCTION NOTES**
- CONFIRM LOCATION OF ALL SERVICES IN THE FIELD.
 - CONNECT ALL NEW SERVICES AT EXISTING CORP. LOCATIONS UNLESS OTHERWISE NOTED OR AS DIRECTED BY THE CONTRACT ADMINISTRATOR

CAUTION:
GAS & SUB DRAIN ON W SIDE OF MONTROSE



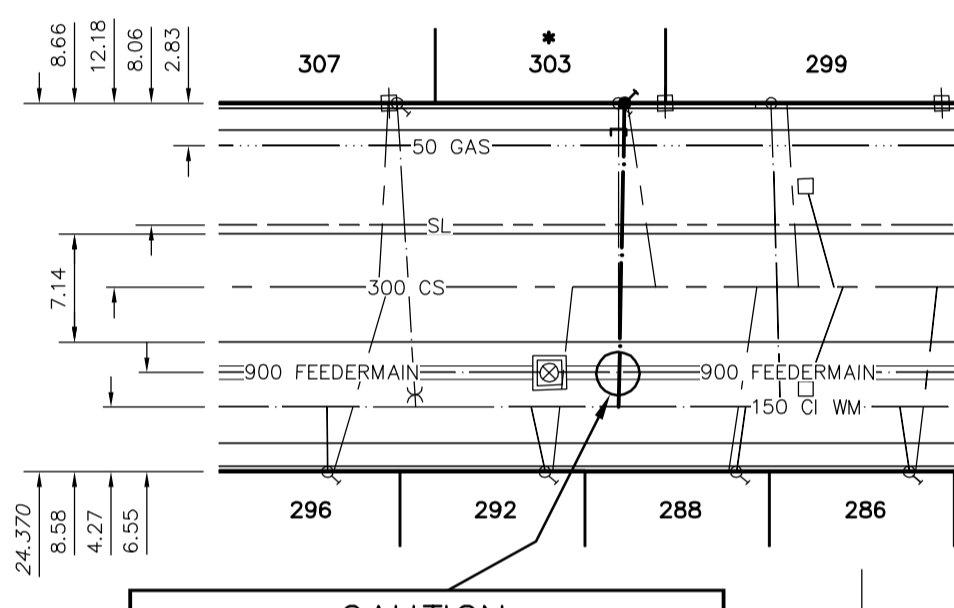
MONTROSE STREET

CAUTION:
GAS & CS ON W SIDE OF MONTROSE



WAVERLEY STREET

CAUTION:
GAS & SL ON W SIDE OF WAVERLEY



APPROXIMATE SEWER DEPTHS

ADDRESS	DEPTH TO INVERT (m) *
179 ASH ST	8.8
365 ASH ST	8.4
309 ELM ST	3.4
363 ELM ST	4.2
247 MONTROSE ST	3.7
309 MONTROSE ST	3.7
435 MONTROSE ST	4.6
303 WAVERLEY ST	3.8
465 OXFORD ST	4.0
717 CAMBRIDGE ST	3.9
279 HARVARD AVE	3.1
235 YALE AVE	3.2

* CONTRACTOR TO VERIFY IN FIELD

CAUTION:
SL & SUB DRAIN ON E SIDE OF MONTROSE

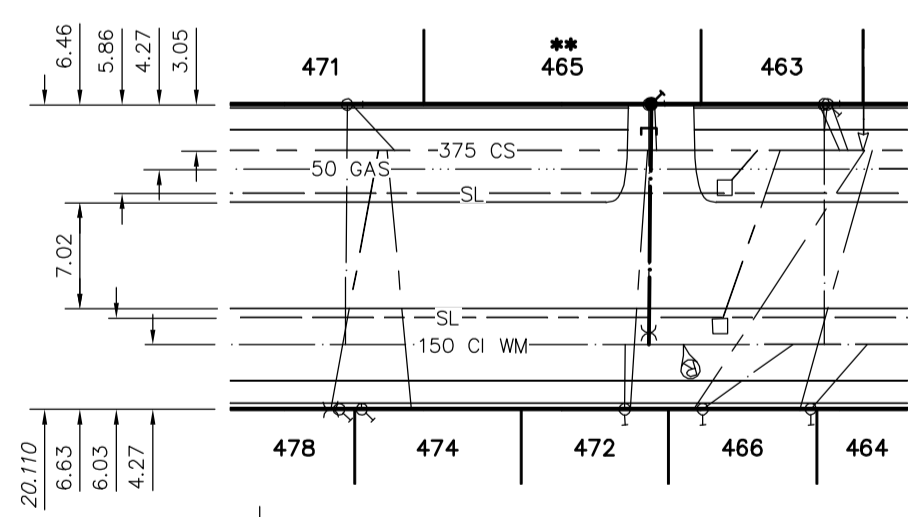
CAUTION:
SL & SRS ON E SIDE OF MONTROSE

CAUTION:
SL ON E SIDE OF MONTROSE

CAUTION:
FEEDERMAIN
CONTRACTOR TO EXPOSE FEEDERMAIN BY HYDROVAC BEFORE CROSSING

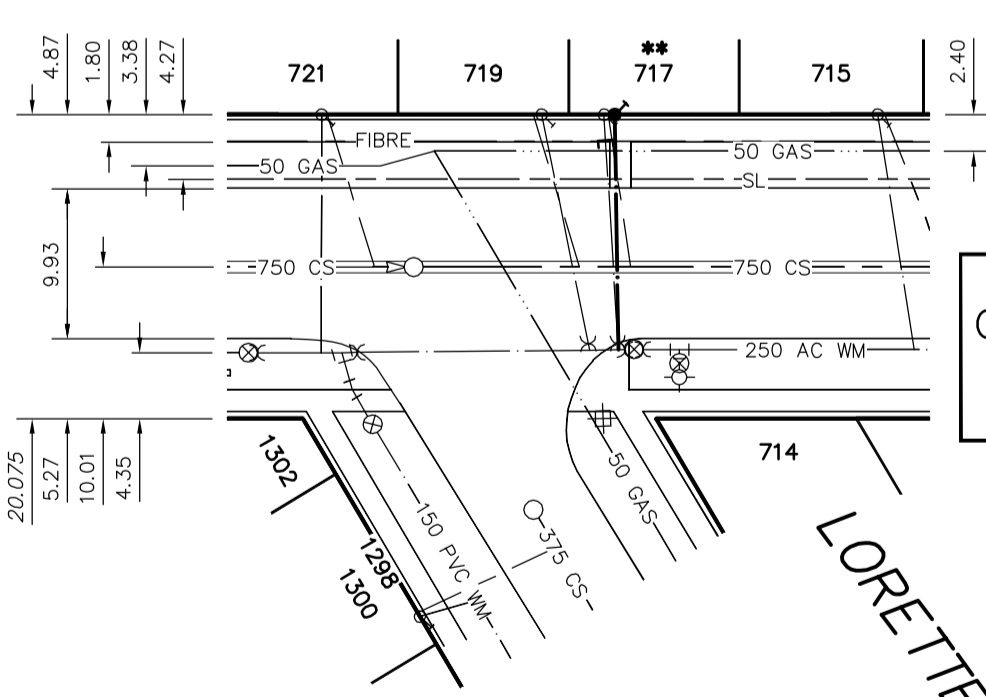
OXFORD STREET

CAUTION:
GAS, CS & SL ON W SIDE OF OXFORD



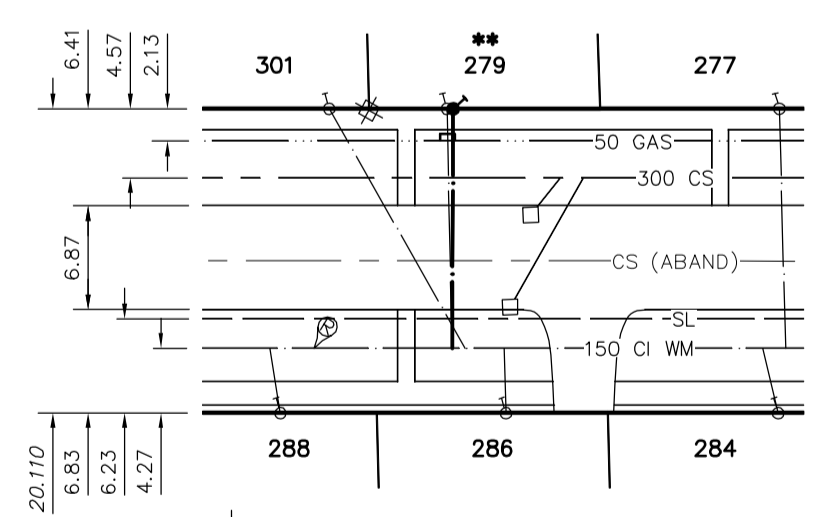
CAMBRIDGE STREET

CAUTION:
GAS, FIBRE & SL ON W SIDE OF CAMBRIDGE



HARVARD AVENUE

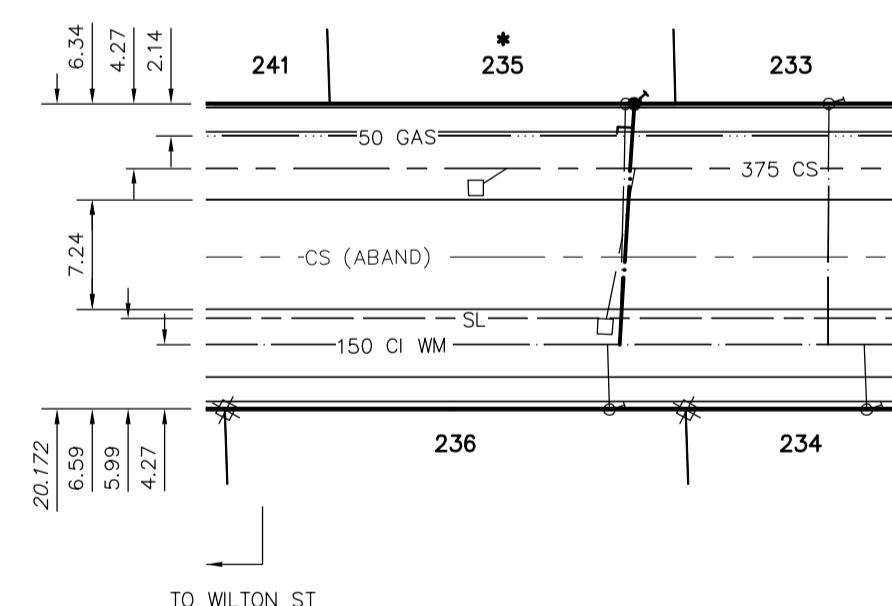
CAUTION:
GAS & CS ON N SIDE OF HARVARD



CAUTION:
SL ON S SIDE OF HARVARD

YALE AVENUE

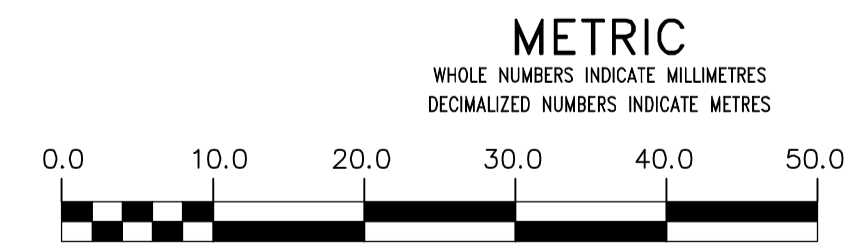
CAUTION:
GAS & CS ON N SIDE OF YALE



CAUTION:
SL ON S SIDE OF YALE

CAUTION:
SL ON E SIDE OF OXFORD

WARNING
IF POWER EQUIPMENT OR EXPLOSIVES ARE TO BE USED FOR EXCAVATION ON THIS PROJECT THE CONTRACTOR MUST:
1) NOTIFY THE GAS COMPANY OF THE PROPOSED LOCATION OF EXCAVATION.
2) TAKE PRECAUTION TO AVOID DAMAGE TO GAS COMPANY INSTALLATIONS.
SEE PROVINCIAL REGULATION 210/72 FOR DETAILS



<table border="1"> <tr><td>200 WM</td><td>WATERMAIN</td><td>200 WM</td><td>SL, HYDRO</td><td>150 WM</td><td>WATERMAIN</td><td>150 WM</td><td>LOCATION APPROVED</td></tr> <tr><td>525 LDS</td><td>LAND DRAINAGE SEWER</td><td>525 LDS</td><td>TRAFFIC SIGNALS</td><td>300 LDS</td><td>HYDRANT</td><td>300 LDS</td><td>UNDERGROUND STRUCTURES</td></tr> <tr><td>375 WWS</td><td>WASTEWATER SEWER</td><td>375 WWS</td><td>GAS</td><td>250 WWS</td><td>VALVE</td><td>250 WWS</td><td></td></tr> <tr><td>○</td><td>MANHOLE</td><td>●</td><td>SURVEY BAR</td><td>⊕</td><td>⊕ PROFILE</td><td></td><td></td></tr> <tr><td>□</td><td>CATCH BASIN</td><td>●</td><td>FENCE</td><td>—X—</td><td>GROUND ABOVE PIPE</td><td></td><td></td></tr> <tr><td>▽</td><td>CURB INLET</td><td>●</td><td>POLE - HYDRO, MTS</td><td>⊕</td><td>⊕ DITCH (NORTH & WEST)</td><td></td><td></td></tr> <tr><td>▽</td><td>REDUCER</td><td>●</td><td>CURB STOP</td><td>⊕</td><td>⊕ DITCH (SOUTH & EAST)</td><td></td><td></td></tr> <tr><td>X</td><td>COUPLER</td><td>⊕</td><td>GUY ANCHOR</td><td>⊕</td><td>GUTTER (NORTH & WEST)</td><td></td><td></td></tr> <tr><td>⊕</td><td>ANODE</td><td>⊕</td><td>LIGHT STANDARD</td><td>⊕</td><td>GUTTER (SOUTH & EAST)</td><td></td><td></td></tr> <tr><td>EXISTING</td><td>LEGEND-PLAN</td><td>PROPOSED</td><td>EXISTING</td><td>LEGEND-PLAN</td><td>PROPOSED</td><td>EXISTING</td><td>LEGEND-PROFILE</td></tr> </table>	200 WM	WATERMAIN	200 WM	SL, HYDRO	150 WM	WATERMAIN	150 WM	LOCATION APPROVED	525 LDS	LAND DRAINAGE SEWER	525 LDS	TRAFFIC SIGNALS	300 LDS	HYDRANT	300 LDS	UNDERGROUND STRUCTURES	375 WWS	WASTEWATER SEWER	375 WWS	GAS	250 WWS	VALVE	250 WWS		○	MANHOLE	●	SURVEY BAR	⊕	⊕ PROFILE			□	CATCH BASIN	●	FENCE	—X—	GROUND ABOVE PIPE			▽	CURB INLET	●	POLE - HYDRO, MTS	⊕	⊕ DITCH (NORTH & WEST)			▽	REDUCER	●	CURB STOP	⊕	⊕ DITCH (SOUTH & EAST)			X	COUPLER	⊕	GUY ANCHOR	⊕	GUTTER (NORTH & WEST)			⊕	ANODE	⊕	LIGHT STANDARD	⊕	GUTTER (SOUTH & EAST)			EXISTING	LEGEND-PLAN	PROPOSED	EXISTING	LEGEND-PLAN	PROPOSED	EXISTING	LEGEND-PROFILE	<p>CITY OF WINNIPEG WATER AND WASTE ENGINEERING DIVISION</p> <p>DESIGNED BY: RC CHECKED BY: RC/SC</p> <p>DRAWN BY: CJH APPROVED BY: RC</p> <p>HOR. SCALE: 1:500 RELEASED FOR CONSTRUCTION</p> <p>VERTICAL: DATE: 2010 11 09</p>	<p>ENGINEER'S SEAL</p> <p>ORIGINAL DRAWING SIGNED BY R.W. CARROLL 10/11/09</p> <p>BID OPPORTUNITY: 825-2010 FILENAME: D-12204.dwg PLOT DATE: 2010 11 09</p>	<p>THE CITY OF WINNIPEG WATER AND WASTE DEPARTMENT</p> <p>2011 WATER SERVICE REPLACEMENT PROGRAM, CONTRACT 10</p> <p>AREA 2 SECTION 2B</p> <p>SHEET 3 OF 6 CITY DRAWING NUMBER D-12204</p>
200 WM	WATERMAIN	200 WM	SL, HYDRO	150 WM	WATERMAIN	150 WM	LOCATION APPROVED																																																																												
525 LDS	LAND DRAINAGE SEWER	525 LDS	TRAFFIC SIGNALS	300 LDS	HYDRANT	300 LDS	UNDERGROUND STRUCTURES																																																																												
375 WWS	WASTEWATER SEWER	375 WWS	GAS	250 WWS	VALVE	250 WWS																																																																													
○	MANHOLE	●	SURVEY BAR	⊕	⊕ PROFILE																																																																														
□	CATCH BASIN	●	FENCE	—X—	GROUND ABOVE PIPE																																																																														
▽	CURB INLET	●	POLE - HYDRO, MTS	⊕	⊕ DITCH (NORTH & WEST)																																																																														
▽	REDUCER	●	CURB STOP	⊕	⊕ DITCH (SOUTH & EAST)																																																																														
X	COUPLER	⊕	GUY ANCHOR	⊕	GUTTER (NORTH & WEST)																																																																														
⊕	ANODE	⊕	LIGHT STANDARD	⊕	GUTTER (SOUTH & EAST)																																																																														
EXISTING	LEGEND-PLAN	PROPOSED	EXISTING	LEGEND-PLAN	PROPOSED	EXISTING	LEGEND-PROFILE																																																																												