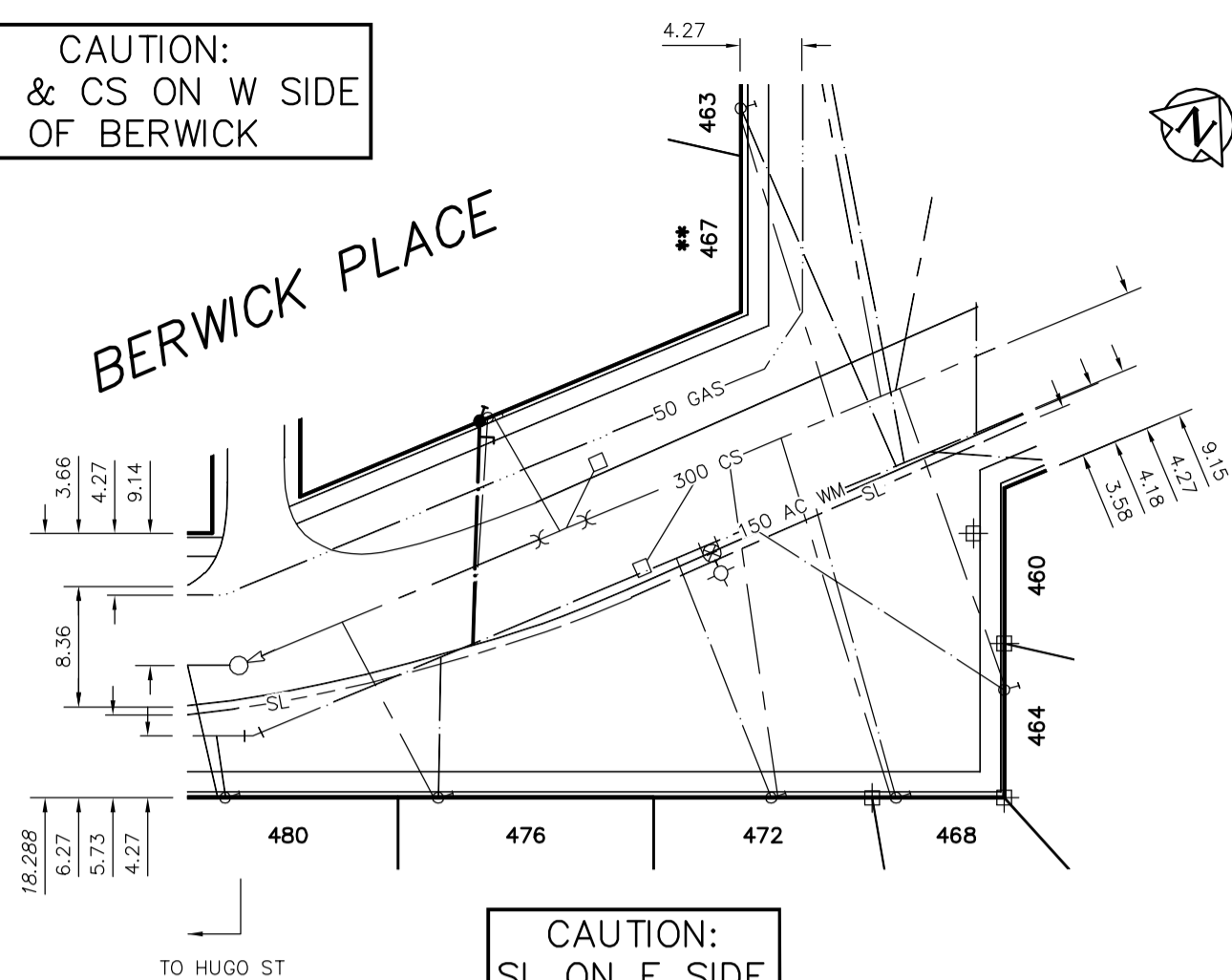
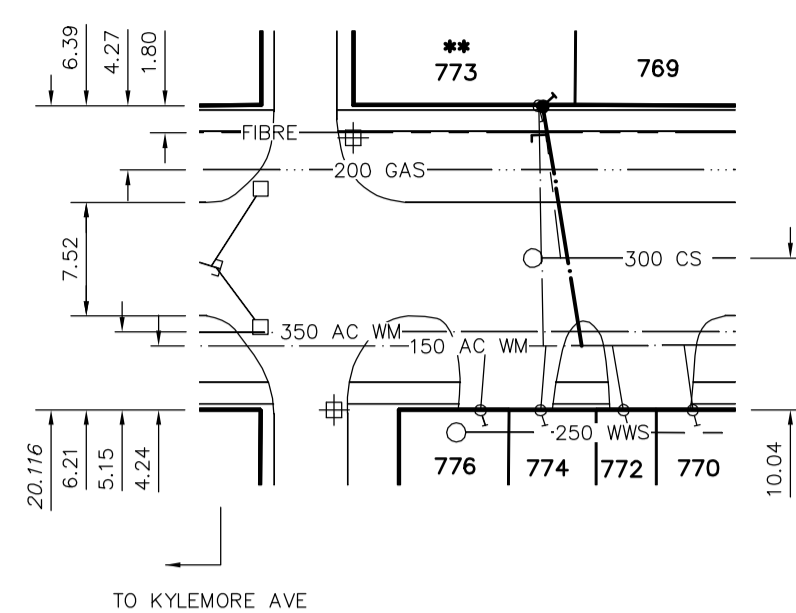


CAUTION:
GAS & CS ON W SIDE
OF BERWICK



CAUTION:
SL ON E SIDE
OF BERWICK

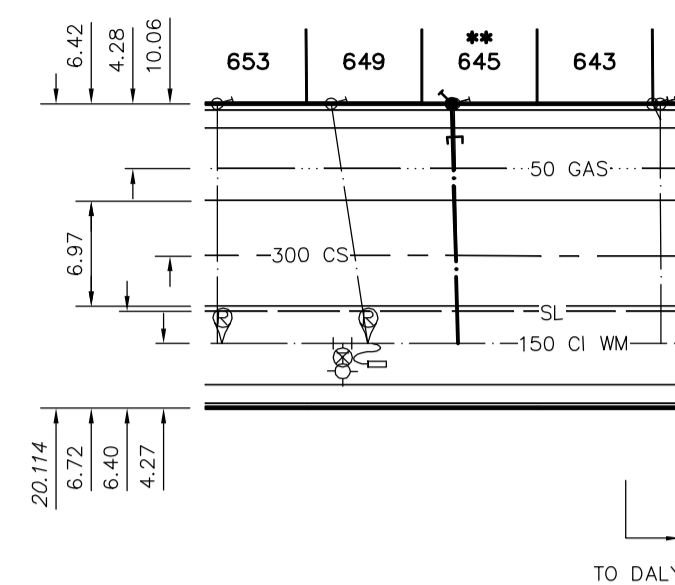
DALY STREET (SOUTH)



CAUTION:
GAS & FIBRE ON
W SIDE OF DALY

CAUTION:
350 AC WM ON
E SIDE OF DALY

RATHGAR AVENUE



CAUTION:
GAS ON N SIDE
OF RATHGAR

CAUTION:
SL ON S SIDE
OF RATHGAR

WATER SERVICE INFORMATION

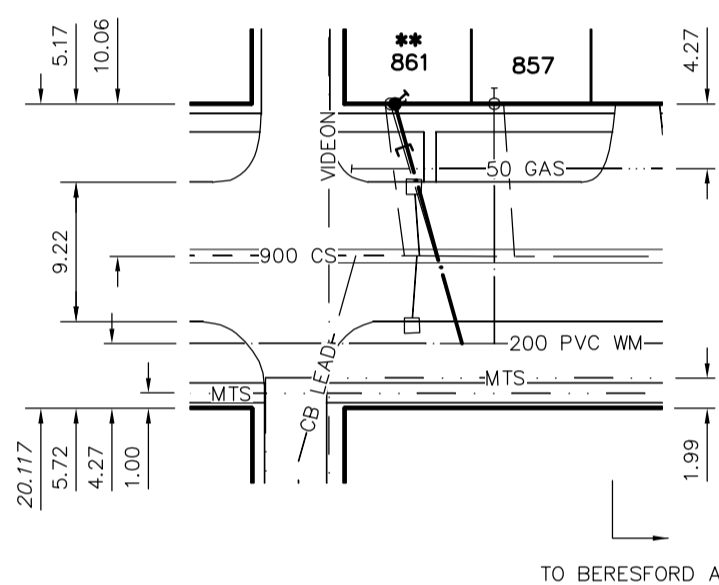
ADDRESS	SIZE(mm) & TYPE (STREET)	SIZE(mm) & TYPE (PROP.)	SHORT & LONG MEASUREMENT	CORP. LOCATION	REMARKS
467 BERWICK PL	20 COPPER	20 COPPER	OPP WL HSE	6.4 W OF S/C	RENEW TO R W/20 COPPER
773 DALY ST	20 COPPER	20 COPPER	14.09 EEL LANE	0.3 N OF S/C	RENEW TO R W/20 COPPER
645 RATHGAR AVE	20 COPPER	20 COPPER	48.85>NNL KYLEMORE	0.2 E OF S/C	RENEW TO R W/20 COPPER
861 COCKBURN ST	20 COPPER	20 COPPER	1.85 EWL HSE	4.8 N OF S/C	RENEW TO R W/20 COPPER
413 ROSEDALE AVE	20 COPPER	20 COPPER	1.2.15 WML DALY		RENEW TO R W/20 COPPER
449 ROSEDALE AVE	20 COPPER	20 COPPER	2.95 WEL HSE		RENEW TO R W/20 COPPER
627 ROSEDALE AVE	20 COPPER	20 COPPER	35.02 SSL BERESFORD		RENEW TO R W/20 COPPER
615 ROSEDALE AVE	20 COPPER	20 COPPER	0.69 EWL HSE	OPP S/C	RENEW TO R W/20 COPPER
861 COCKBURN ST	20 COPPER	20 COPPER	98.21 EEL DALY	OPP S/C	RENEW TO R W/20 COPPER
627 ROSEDALE AVE	20 COPPER	20 COPPER	1.61 EWL HSE	OPP S/C	RENEW TO R W/20 COPPER
265 BALFOUR AVE	20 COPPER	20 COPPER	40.45 WML DALY	OPP S/C	RENEW TO R W/20 COPPER
31 RIVERSIDE DR	20 COPPER	20 COPPER	OFF EL HSE	OPP S/C	RENEW TO R W/20 COPPER
939 MERRIAM BLVD	20 COPPER	20 COPPER	128.60 EEL LILAC	OPP S/C	RENEW TO R W/20 COPPER
31 RIVERSIDE DR	20 COPPER	20 COPPER	0.41 WEL HSE	OPP S/C	RENEW TO R W/20 COPPER
31 RIVERSIDE DR	20 COPPER	20 COPPER	50.75 EEL LILAC	OPP S/C	RENEW TO R W/20 COPPER
31 RIVERSIDE DR	20 COPPER	20 COPPER	2.31 WEL HSE	OPP S/C	RENEW TO R W/20 COPPER
31 RIVERSIDE DR	20 COPPER	20 COPPER	88.72 EEL HAY	OPP S/C	RENEW TO R W/20 COPPER
31 RIVERSIDE DR	20 COPPER	20 COPPER	2.41 WEL HSE	OPP S/C	RENEW TO R W/20 COPPER
31 RIVERSIDE DR	20 COPPER	20 COPPER	182.83 EEL PEMBINA	1.2 W OF S/C	RENEW TO R W/20 COPPER
31 RIVERSIDE DR	20 COPPER	20 COPPER	1.34 SSL HSE	0.9 S OF S/C	RENEW TO R W/20 COPPER
31 RIVERSIDE DR	20 COPPER	20 COPPER	50.20 SSL MERRIAM		RENEW TO R W/20 COPPER

* - LEAD ON CITY SIDE
** - PREVIOUSLY FROZEN ON CITY SIDE

CONSTRUCTION NOTES

1. CONFIRM LOCATION OF ALL SERVICES IN THE FIELD.
2. CONNECT ALL NEW SERVICES AT EXISTING CORP. LOCATIONS UNLESS OTHERWISE NOTED OR AS DIRECTED BY THE CONTRACT ADMINISTRATOR

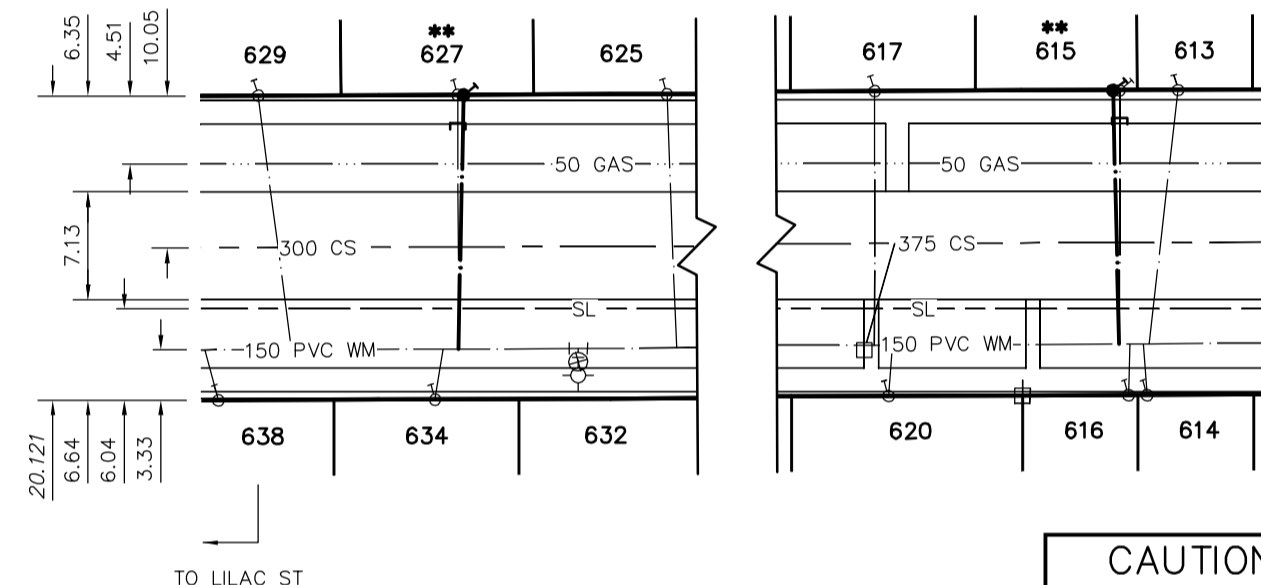
COCKBURN STREET



CAUTION:
GAS ON W SIDE
OF COCKBURN

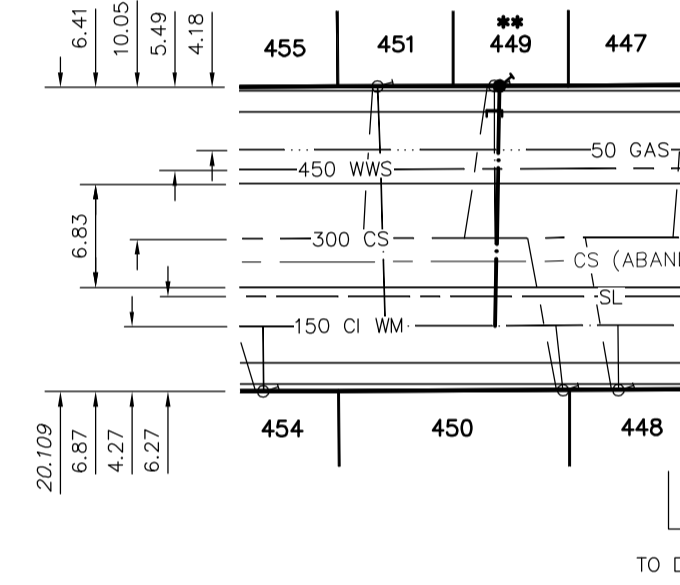
CAUTION:
MTS ON E SIDE
OF COCKBURN

CAUTION:
GAS ON N
SIDE OF RIVERSIDE



CAUTION:
SL ON S SIDE
OF ROSEDALE

CAUTION:
GAS & CS ON N
SIDE OF RIVERSIDE



CAUTION:
GAS, CS & WWS ON N
SIDE OF RIVERSIDE

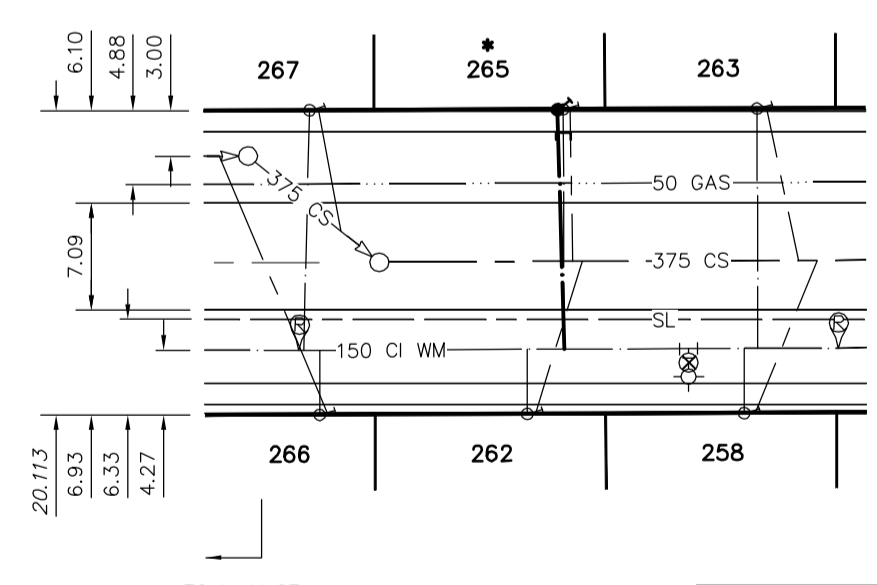
CAUTION:
SL ON S SIDE
OF ROSEDALE

APPROXIMATE SEWER DEPTHS

ADDRESS	DEPTH TO INVERT (m) *
467 BERWICK PL	3.9
773 DALY ST	2.9
645 RATHGAR AVE	3.2
861 COCKBURN ST	8.8
413 ROSEDALE AVE	CS 3.1 / WWS 3.6
449 ROSEDALE AVE	CS 3.2 / WWS 3.4
615 ROSEDALE AVE	4.5
627 ROSEDALE AVE	4.4
265 BALFOUR AVE	4.5
939 MERRIAM BLVD	WWS 3.4 / LDS 2.2
31 RIVERSIDE DR	-

* CONTRACTOR TO VERIFY IN FIELD

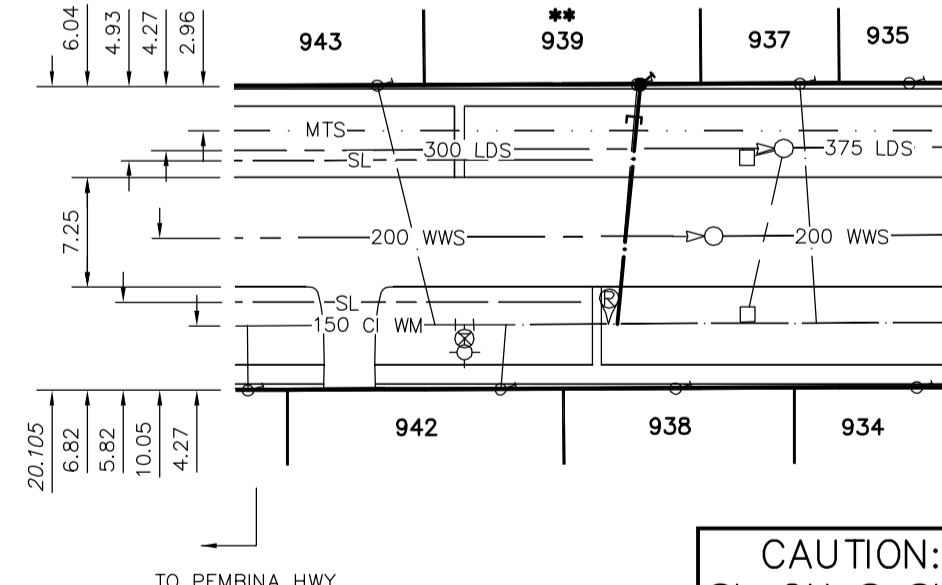
BALFOUR AVENUE



CAUTION:
GAS ON N SIDE
OF BALFOUR

CAUTION:
SL ON S SIDE
OF BALFOUR

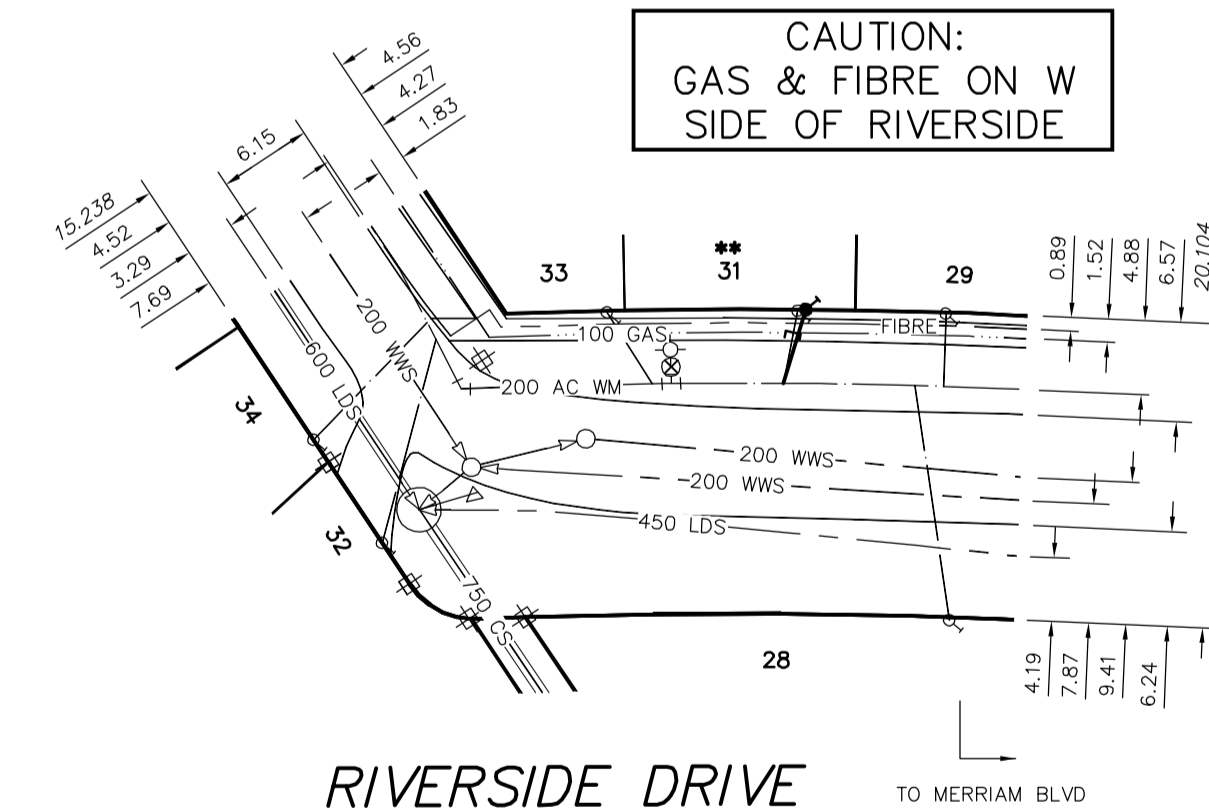
MERRIAM BOULEVARD



CAUTION:
MTS, LDS & SL ON N
SIDE OF MERRIAM

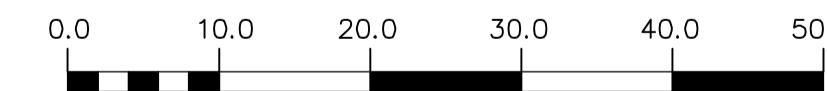
CAUTION:
SL ON S SIDE
OF MERRIAM

CAUTION:
GAS & FIBRE ON W
SIDE OF RIVERSIDE



METRIC

WHOLE NUMBERS INDICATE MILLIMETRES
DECIMAL NUMBERS INDICATE METRES



WARNING

IF POWER EQUIPMENT OR EXPLOSIVES ARE TO BE USED FOR EXCAVATION ON THIS PROJECT THE CONTRACTOR MUST:
1) NOTIFY THE GAS COMPANY OF THE PROPOSED LOCATION OF EXCAVATION.
2) TAKE PRECAUTION TO AVOID DAMAGE TO GAS COMPANY INSTALLATIONS.
SEE PROVINCIAL REGULATION 210/72 FOR DETAILS

200 WM	WATERMAIN	200 WM	SL, HYDRO	150 WM	WATERMAIN	150 WM
+	HYDRANT	+	MTS	+	HYDRANT	+
o	VALVE	o	TRAFFIC SIGNALS	x	VALVE	x
525 LDS	LAND DRAINAGE SEWER	525 LDS	GAS	300 LDS	LAND DRAINAGE SEWER	300 LDS
375 WWS	WASTEWATER SEWER	375 WWS	SURVEY BAR	250 WWS	WASTEWATER SEWER	250 WWS
o	MANHOLE	o	FENCE	o	PROFILE	o
□	CATCH BASIN	□	POLE - HYDRO, MTS	—	GROUND ABOVE PIPE	—
▽	CURB INLET	▽	CURB STOP	⊖	DITCH (NORTH & WEST)	⊖
△	REDUCER	△	GUY ANCHOR	⊖	DITCH (SOUTH & EAST)	⊖
X	COUPLER	X	LIGHT STANDARD	⊖	GUTTER (NORTH & WEST)	⊖
⊖	ANODE	⊖	TREE	⊖	GUTTER (SOUTH & EAST)	⊖
EXISTING	LEGEND-PLAN	PROPOSED	EXISTING	LEGEND-PLAN	PROPOSED	EXISTING

LOCATION APPROVED UNDERGROUND STRUCTURES		B.M. ELEV.	FIELD BOOK #:
SUPV. U/G STRUCTURES COMMITTEE	DATE	POSTED TO LBIS	
NOTE: LOCATION OF UNDERGROUND STRUCTURES AS SHOWN ARE BASED ON THE BEST INFORMATION AVAILABLE BUT NO GUARANTEE IS GIVEN THAT ALL EXISTING UTILITIES ARE SHOWN OR THAT THE GIVEN LOCATIONS ARE EXACT. CONFIRMATION OF EXISTENCE AND EXACT LOCATION OF ALL SERVICES MUST BE OBTAINED FROM THE INDIVIDUAL UTILITIES BEFORE PROCEEDING WITH CONSTRUCTION.			
NO.	REVISIONS	DATE	BY

CITY OF WINNIPEG
WATER AND WASTE
ENGINEERING DIVISION

DESIGNED BY: RC
CHECKED BY: RC/SC

DRAWN BY: CJH
APPROVED BY: RC

HOR. SCALE: 1:500
RELEASED FOR CONSTRUCTION

VERTICAL
DATE: 2010 11 09

ENGINEER'S SEAL

ORIGINAL DRAWING SIGNED BY
R.W. CARROLL
10/11/09

BID OPPORTUNITY: 825-2010
FILENAME: D-12205.dwg
PLOT DATE: 2010 11 09

Winnipeg THE CITY OF WINNIPEG
WATER AND WASTE DEPARTMENT

2011 WATER SERVICE REPLACEMENT PROGRAM, CONTRACT 10
AREA 3 SECTION 3A

SHEET 4 OF 6
CITY DRAWING NUMBER
D-12205