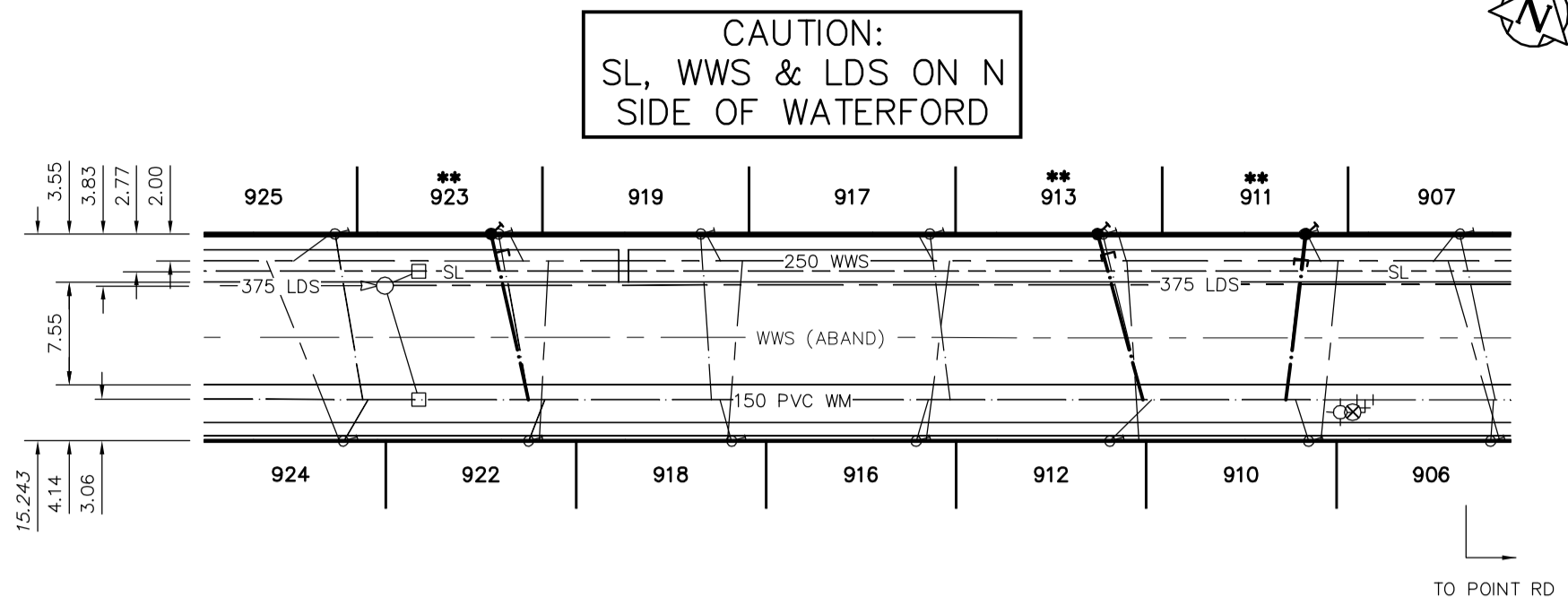
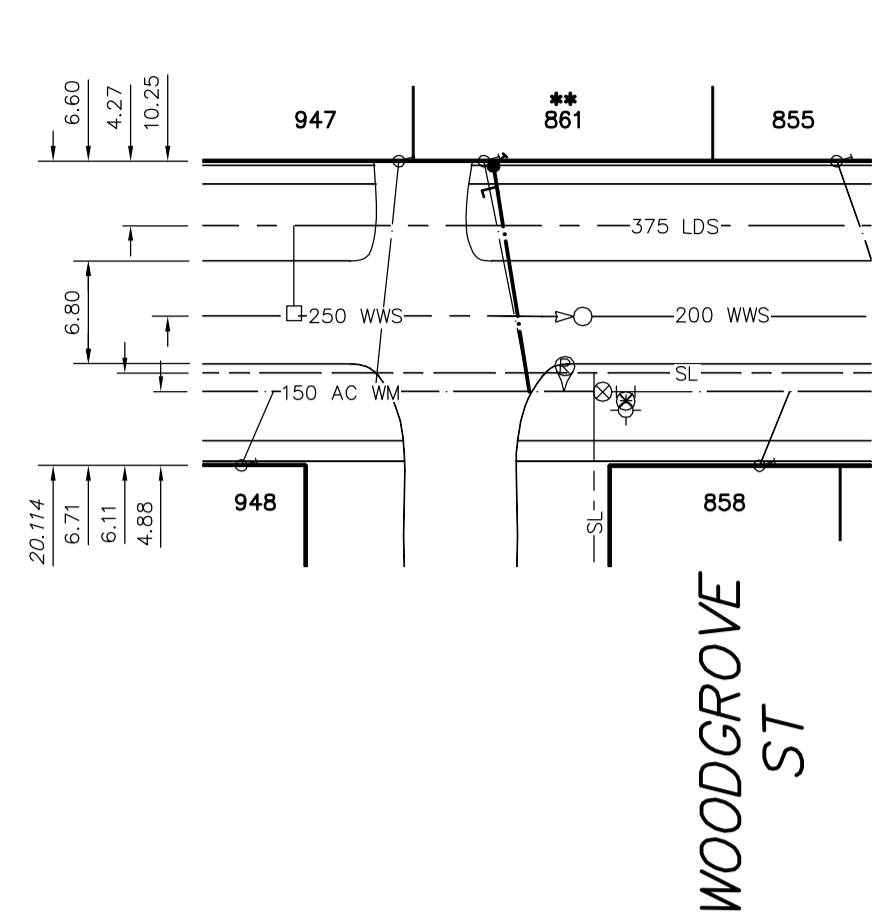


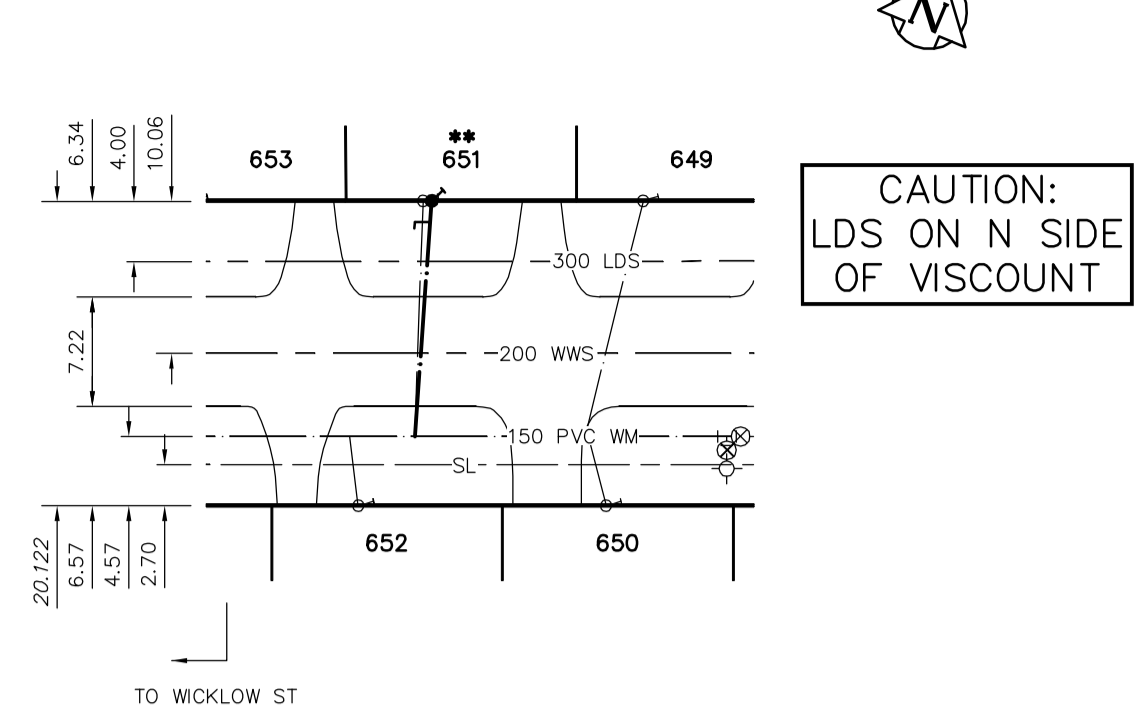
WATERFORD AVENUE



SOUTHWOOD AVENUE



VISCOUNT PLACE



WATER SERVICE INFORMATION

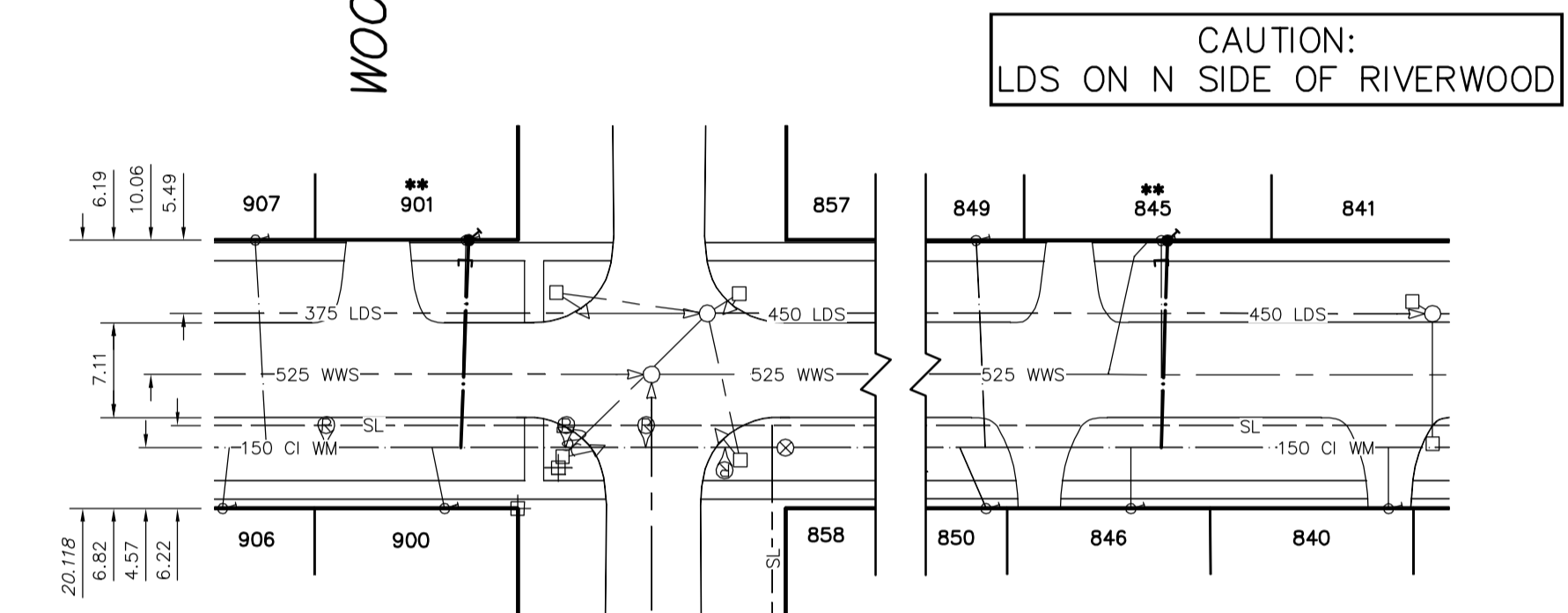
ADDRESS	SIZE(mm) & TYPE (STREET)	SHORT & LONG MEASUREMENT (PROP.)	CORP. LOCATION	REMARKS
** 911 WATERFORD AVE	20 COPPER	2.49 WEL HSE	1.2 W OF S/C	RENEW TO R W/20 COPPER
913 WATERFORD AVE	20 COPPER	2.70 WEL HSE	2.9 E OF S/C	RENEW TO R W/20 COPPER
** 923 WATERFORD AVE	20 COPPER	46.89 WML WICKLOW	2.3 E OF S/C	RENEW TO R W/20 COPPER
** 861 SOUTHWOOD AVE	20 COPPER	91.48 WML WICKLOW	5.1 E OF S/C	RENEW TO R W/20 COPPER
RESIDENTIAL	20 COPPER	3.47 EWL HSE	3.1 E OF S/C	RENEW TO R W/20 COPPER
RESIDENTIAL	20 COPPER	8.35 WEL WOODGROVE	0.5 W OF S/C	RENEW TO R W/20 COPPER
651 VISCOUNT PL	20 COPPER	107.76 EEL POINT	0.5 W OF S/C	RENEW TO R W/20 COPPER
** 811 RIVERWOOD AVE	20 COPPER	4.09 EWL HSE	OPP S/C	RENEW TO R W/20 COPPER
45.99 WML WICKLOW	20 COPPER	2.13 WEL HSE	OPP S/C	RENEW TO R W/20 COPPER
** 845 RIVERWOOD AVE	20 COPPER	57.13 EEL WOODGROVE	OPP S/C	RENEW TO R W/20 COPPER
RESIDENTIAL	20 COPPER	4.91 WML WOODGROVE	0.4 W OF S/C	RENEW TO R W/20 COPPER
901 RIVERWOOD AVE	20 COPPER	OPP EL HSE	0.4 W OF S/C	RENEW TO R W/20 COPPER
RESIDENTIAL	20 COPPER	1.20 SNL HSE	0.4 S OF S/C	RENEW TO R W/20 COPPER
** 117 RILEY CR	20 COPPER	69.89 SSL DOWKER	OPP S/C	RENEW TO R W/20 COPPER
RESIDENTIAL	20 COPPER	3.52 WEL HSE	OPP S/C	RENEW TO R W/20 COPPER
** 82 FLETCHER CR	20 COPPER	82.81 EEL PEMBINA	OPP S/C	RENEW TO R W/20 COPPER
RESIDENTIAL	20 COPPER	4.89 WEL HSE	6.9 E OF S/C	RENEW TO R W/20 COPPER
** 62 BATHGATE BY	20 COPPER	1.10 EWL BATHGATE	0.9 E OF S/C	RENEW TO R W/20 COPPER
RESIDENTIAL	20 COPPER	74.52 EEL PEMBINA	7.2 E OF S/C	RENEW TO R W/20 COPPER
** 978 CRESCENT DR	20 COPPER	2.25 WML HSE	11.3 W OF S/C	RENEW TO R W/20 COPPER
RESIDENTIAL	20 COPPER	55.08 EEL PEMBINA	OPP S/C	RENEW TO R W/20 COPPER
** 980 CRESCENT DR	20 COPPER	12	OPP S/C	RENEW TO R W/20 COPPER
RESIDENTIAL	20 COPPER	28.59 EEL PEMBINA	OPP S/C	RENEW TO R W/20 COPPER
** 337 WILDWOOD H	20 COPPER	4.61 WML HSE	OPP S/C	RENEW TO R W/20 COPPER
RESIDENTIAL	20 COPPER	31.68 WML WILDWOOD	OPP S/C	RENEW TO R W/20 COPPER
** 191 WILDWOOD B	20 COPPER	11.64 NSL HSE	OPP S/C	RENEW TO R W/20 COPPER
RESIDENTIAL	20 COPPER	31.13 SSL NORTH	2.8 N OF S/C	RENEW TO R W/20 COPPER
** 198 WILDWOOD B	20 COPPER	3.05 SNL HSE	OPP S/C	RENEW TO R W/20 COPPER
RESIDENTIAL	20 COPPER	11.03 WML WILDWOOD	OPP S/C	RENEW TO R W/20 COPPER
** 208 WILDWOOD A	20 COPPER	1.12 SNL HSE	OPP S/C	RENEW TO R W/20 COPPER
RESIDENTIAL	20 COPPER	7.23 SSL WILDWOOD	OPP S/C	RENEW TO R W/20 COPPER
** 224 WILDWOOD A	20 COPPER	7.72 WEL GARAGE	1.6 E OF S/C	RENEW TO R W/20 COPPER
RESIDENTIAL	20 COPPER	90.09 WML NORTH	OPP S/C	RENEW TO R W/20 COPPER
** 237 WILDWOOD A	20 COPPER	4.55 SNL HSE	0.9 N OF S/C	RENEW TO R W/20 COPPER
RESIDENTIAL	20 COPPER	9.83 NNL WILDWOOD	OPP S/C	RENEW TO R W/20 COPPER

** - PREVIOUSLY FROZEN ON CITY SIDE

- CONSTRUCTION NOTES**
1. CONFIRM LOCATION OF ALL SERVICES IN THE FIELD.
 2. CONNECT ALL NEW SERVICES AT EXISTING CORP. LOCATIONS UNLESS OTHERWISE NOTED OR AS DIRECTED BY THE CONTRACT ADMINISTRATOR

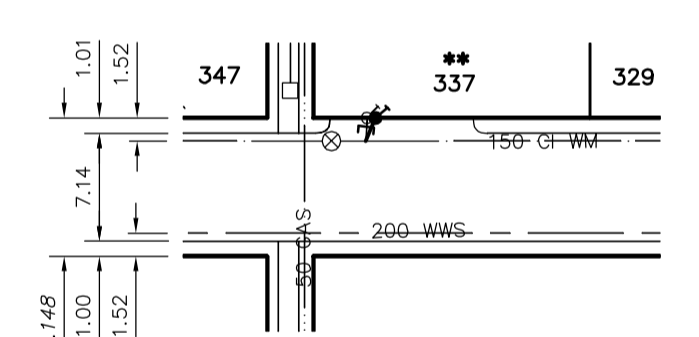
WOODGROVE ST

RIVERWOOD AVENUE

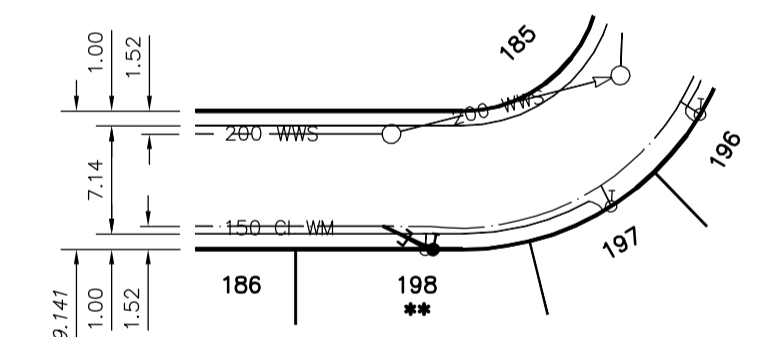


CAUTION: SL ON S SIDE OF RIVERWOOD

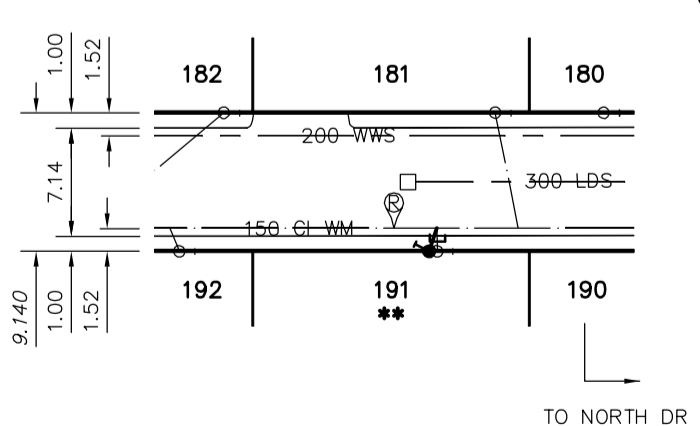
WILDWOOD H



WILDWOOD B

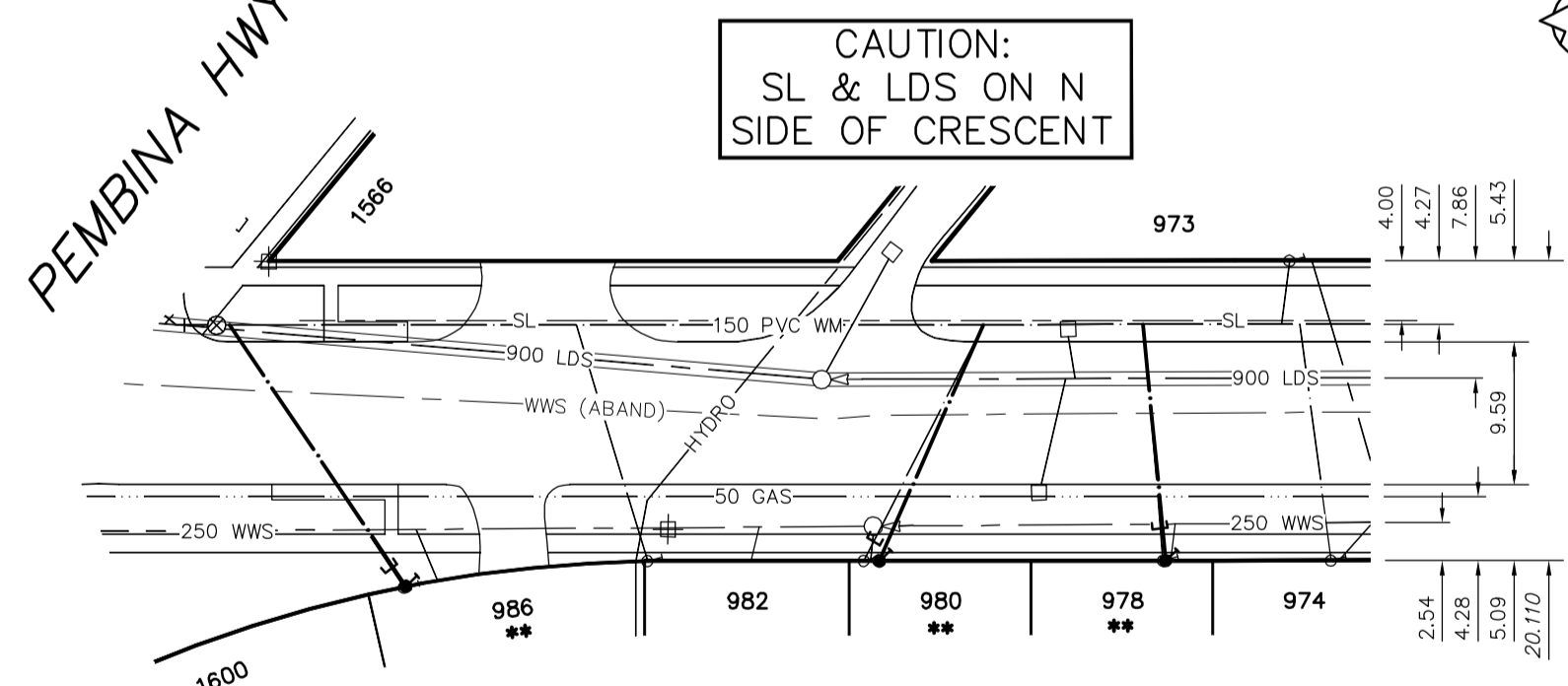


WILDWOOD B



PEMBINA HWY

CRESCENT DRIVE



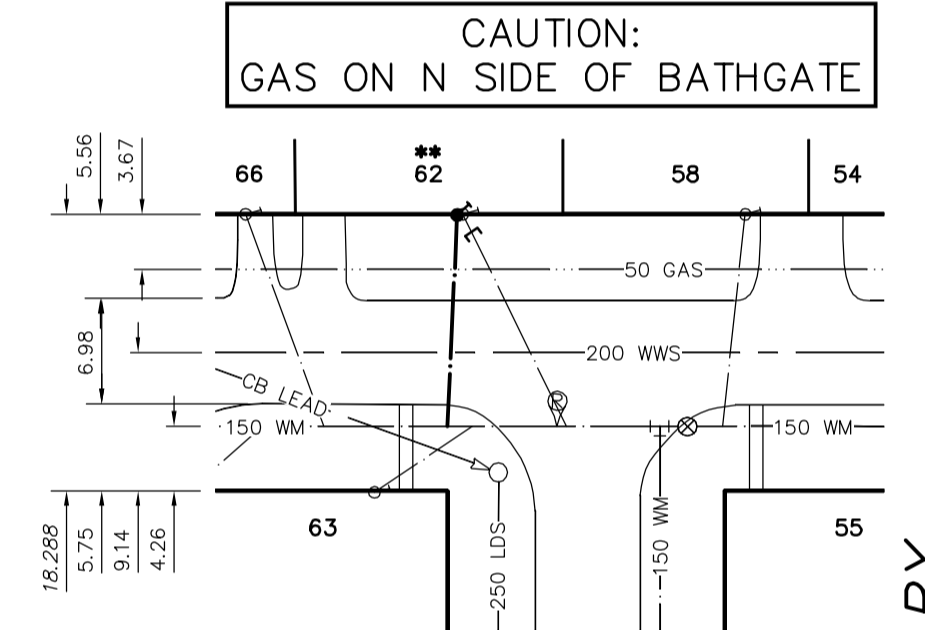
CAUTION: GAS & WWS ON S SIDE OF CRESCENT

APPROXIMATE SEWER DEPTHS

ADDRESS	DEPTH TO INVERT (m) *	ADDRESS	DEPTH TO INVERT (m) *
911 WATERFORD AVE	WWS 4.1 / LDS 3.0	62 BATHGATE BY	3.3
913 WATERFORD AVE	WWS 4.1 / LDS 3.0	978 CRESCENT DR	WWS 4.1 / LDS 5.4
923 WATERFORD AVE	WWS 4.1 / LDS 3.0	980 CRESCENT DR	WWS 4.1 / LDS 5.4
861 SOUTHWOOD AVE	WWS 3.5 / LDS 2.5	986 CRESCENT DR	WWS 4.1 / LDS 5.4
651 VISCOUNT PL	WWS 2.4 / LDS 3.3	337 WILDWOOD H	-
811 RIVERWOOD AVE	WWS 6.5 / LDS 4.0	191 WILDWOOD B	-
845 RIVERWOOD AVE	WWS 6.5 / LDS 3.8	198 WILDWOOD B	-
901 RIVERWOOD AVE	WWS 5.8 / LDS 3.0	208 WILDWOOD A	-
117 RILEY CR	-	224 WILDWOOD A	WWS 2.5 / LDS UNKNOWN
82 FLETCHER CR	WWS 2.8 / LDS 4.1	237 WILDWOOD A	-

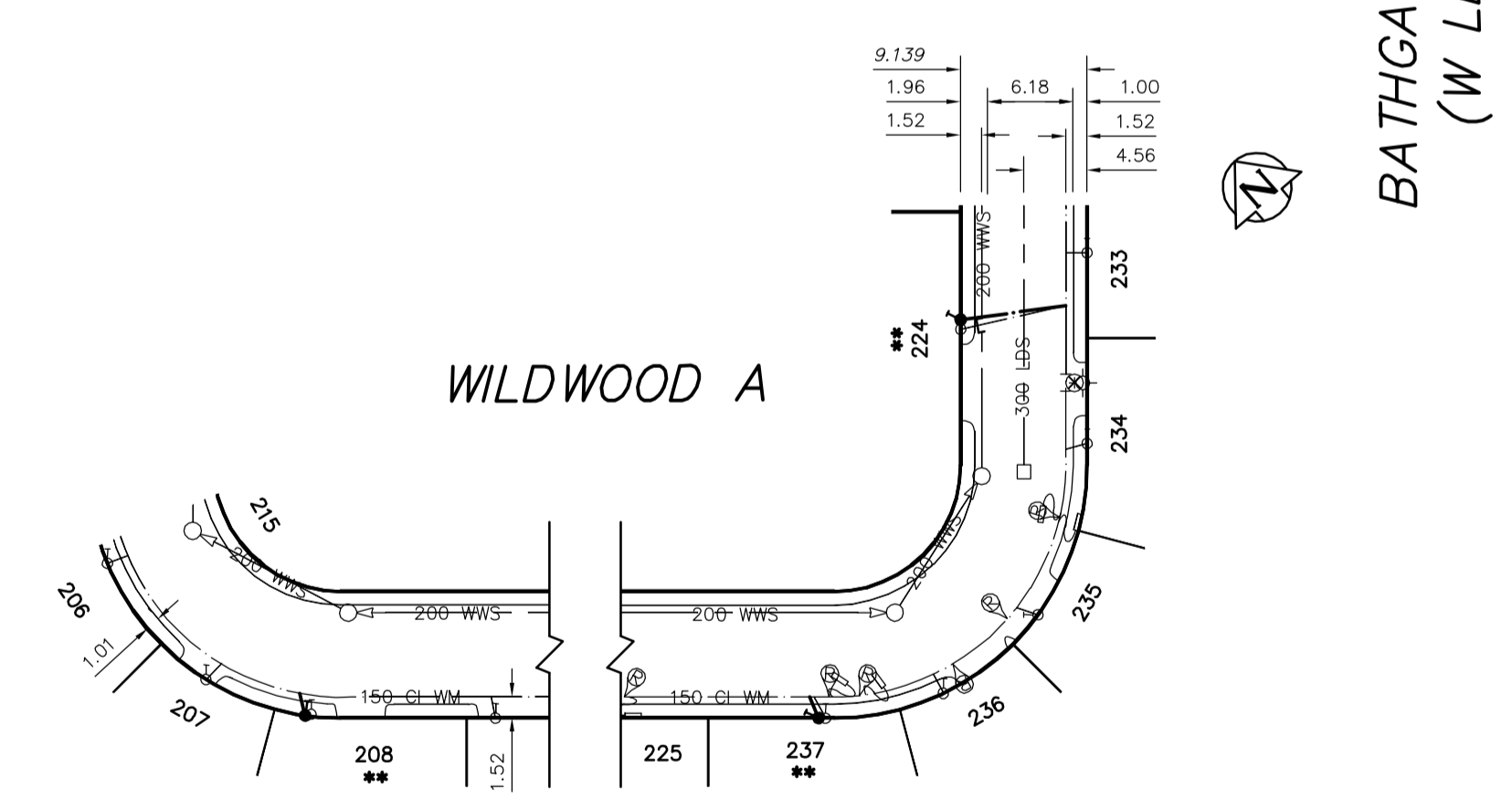
* CONTRACTOR TO VERIFY IN FIELD

BATHGATE BAY (N LEG)



CAUTION: GAS ON N SIDE OF BATHGATE

WILDWOOD A

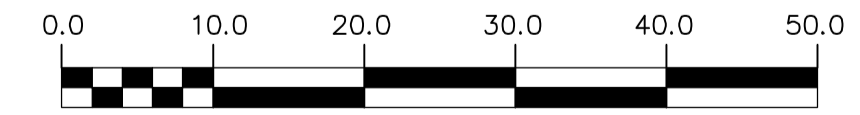


WARNING

IF POWER EQUIPMENT OR EXPLOSIVES ARE TO BE USED FOR EXCAVATION ON THIS PROJECT THE CONTRACTOR MUST:
 1) NOTIFY THE GAS COMPANY OF THE PROPOSED LOCATION OF EXCAVATION.
 2) TAKE PRECAUTION TO AVOID DAMAGE TO GAS COMPANY INSTALLATIONS.
 SEE PROVINCIAL REGULATION 210/72 FOR DETAILS

METRIC

WHOLE NUMBERS INDICATE MILLIMETRES
 DECIMAL NUMBERS INDICATE METRES



EXISTING	LEGEND-PLAN	PROPOSED	EXISTING	LEGEND-PLAN	PROPOSED	EXISTING	LEGEND-PROFILE	PROPOSED
200 WM	WATERMAIN	200 WM	SL, HYDRO	SL, HYDRO	150 WM	WATERMAIN	150 WM	WATERMAIN
525 LDS	LAND DRAINAGE SEWER	525 LDS	TRAFFIC SIGNALS	TRAFFIC SIGNALS	300 LDS	LAND DRAINAGE SEWER	300 LDS	LAND DRAINAGE SEWER
375 WWS	WASTEWATER SEWER	375 WWS	SURVEY BAR	SURVEY BAR	250 WWS	WASTEWATER SEWER	250 WWS	WASTEWATER SEWER
MANHOLE	MANHOLE	MANHOLE	FENCE	FENCE	PROFILE	PROFILE	PROFILE	PROFILE
CATCH BASIN	CATCH BASIN	CATCH BASIN	POLE - HYDRO, MTS	POLE - HYDRO, MTS	GROUND ABOVE PIPE	GROUND ABOVE PIPE	GROUND ABOVE PIPE	GROUND ABOVE PIPE
CURB INLET	CURB INLET	CURB INLET	CURB STOP	CURB STOP	DITCH (NORTH & WEST)	DITCH (NORTH & WEST)	DITCH (NORTH & WEST)	DITCH (NORTH & WEST)
REDUCER	REDUCER	REDUCER	GUY ANCHOR	GUY ANCHOR	DITCH (SOUTH & EAST)	DITCH (SOUTH & EAST)	DITCH (SOUTH & EAST)	DITCH (SOUTH & EAST)
COUPLER	COUPLER	COUPLER	LIGHT STANDARD	LIGHT STANDARD	GUTTER (NORTH & WEST)	GUTTER (NORTH & WEST)	GUTTER (NORTH & WEST)	GUTTER (NORTH & WEST)
ANODE	ANODE	ANODE	TREE	TREE	GUTTER (SOUTH & EAST)	GUTTER (SOUTH & EAST)	GUTTER (SOUTH & EAST)	GUTTER (SOUTH & EAST)

NO.	REVISIONS	DATE	BY

DESIGNED BY: RC		CHECKED BY: RC/SC	
DRAWN BY: CJH		APPROVED BY: RC	
HOR. SCALE: 1:500		RELEASED FOR CONSTRUCTION	
VERTICAL		DATE: 2010 11 09	

ENGINEER'S SEAL
 ORIGINAL DRAWING SIGNED BY R.W. CARROLL 10/11/09

THE CITY OF WINNIPEG
 WATER AND WASTE DEPARTMENT

2011 WATER SERVICE REPLACEMENT PROGRAM, CONTRACT 10
AREA 3 SECTION 3B

SHEET 5 OF 6
 CITY DRAWING NUMBER: D-12206