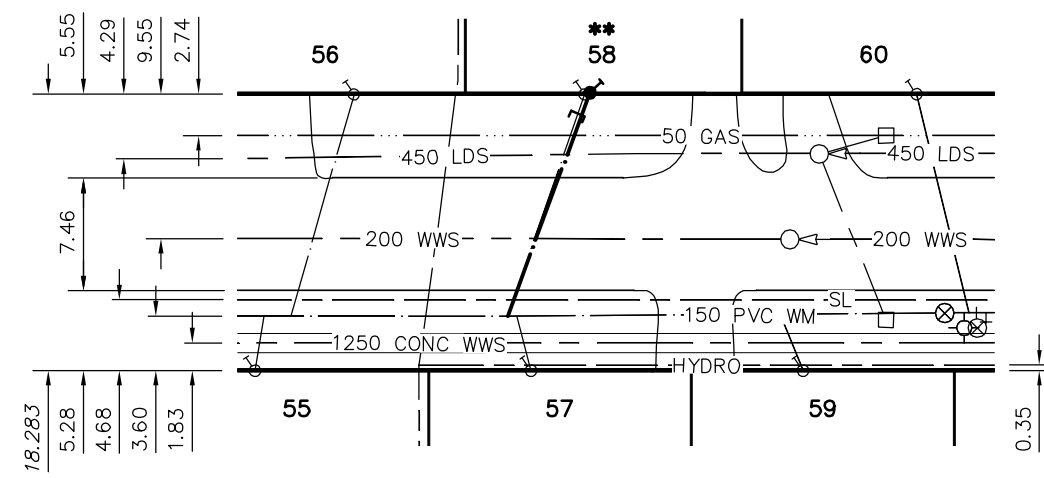


THATCHER DRIVE

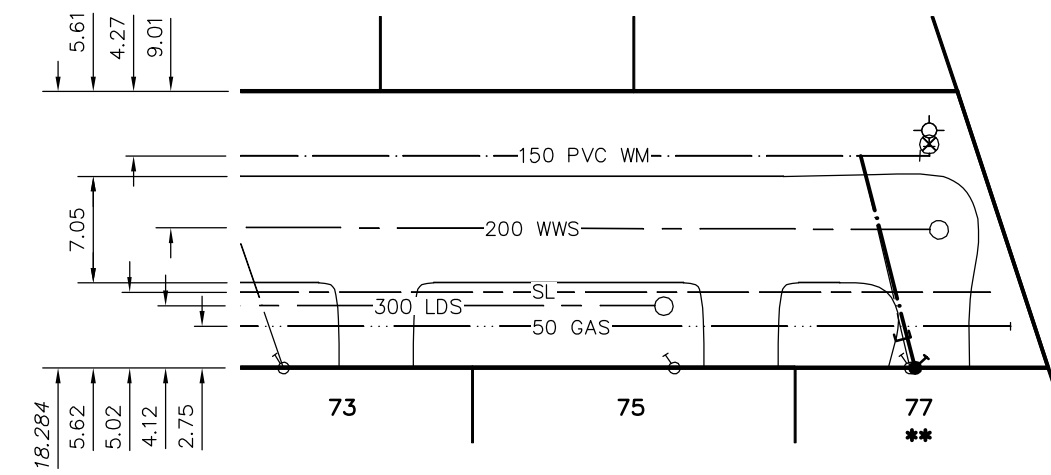


CAUTION:
GAS & LDS ON E
SIDE OF THATCHER

CAUTION:
SL, WWS & HYDRO ON
W SIDE OF THATCHER

TO AGASSIZ DR

D'ARCY DRIVE



CAUTION:
SL, GAS & LDS ON W
SIDE OF D'ARCY

TO AGASSIZ DR

WATER SERVICE INFORMATION

ADDRESS	SIZE(mm) & TYPE (STREET)	SIZE(mm) & TYPE (PROP.)	SHORT & LONG MEASUREMENT	CORP. LOCATION	REMARKS
** 58 THATCHER DR	20 COPPER	20 COPPER	6.08 SNL HSE	5.0 N OF S/C	RENEW TO R. W/20 COPPER
RESIDENTIAL			101.94>NNL AGASSIZ		
** 77 D'ARCY DR	20 COPPER	20 COPPER	5.55 SNL BLDG	3.1 N OF S/C	RENEW TO R. W/20 COPPER
COMMERCIAL			74.53 SSL AGASSIZ		
** 208 KINGS DR	25 COPPER	20 COPPER	24.66 WML BLDG	1.3 E OF S/C	RENEW TO R. W/25 COPPER
RESIDENTIAL			7.15 EEL KINGS		
** 27 BONIN BY	- COPPER	20 COPPER	1.35 SNL HSE	0.7 N OF S/C	RENEW TO R. W/20 COPPER
RESIDENTIAL			71.99 SSL GRANDMONT		
** 49 ST PIERRE ST	20 COPPER	- COPPER	5.80 WML HSE	0.7 W OF S/C	RENEW TO R. W/20 COPPER
RESIDENTIAL			26.33 WML ST PIERRE		SERVICED OFF DU COUVENT
** 956 LEMAY AVE	20 COPPER	20 COPPER	1.52 EWL HSE	OPP S/C	RENEW TO R. W/20 COPPER
RESIDENTIAL			41.47 WML LANDRY		

** - PREVIOUSLY FROZEN ON CITY SIDE

CONSTRUCTION NOTES

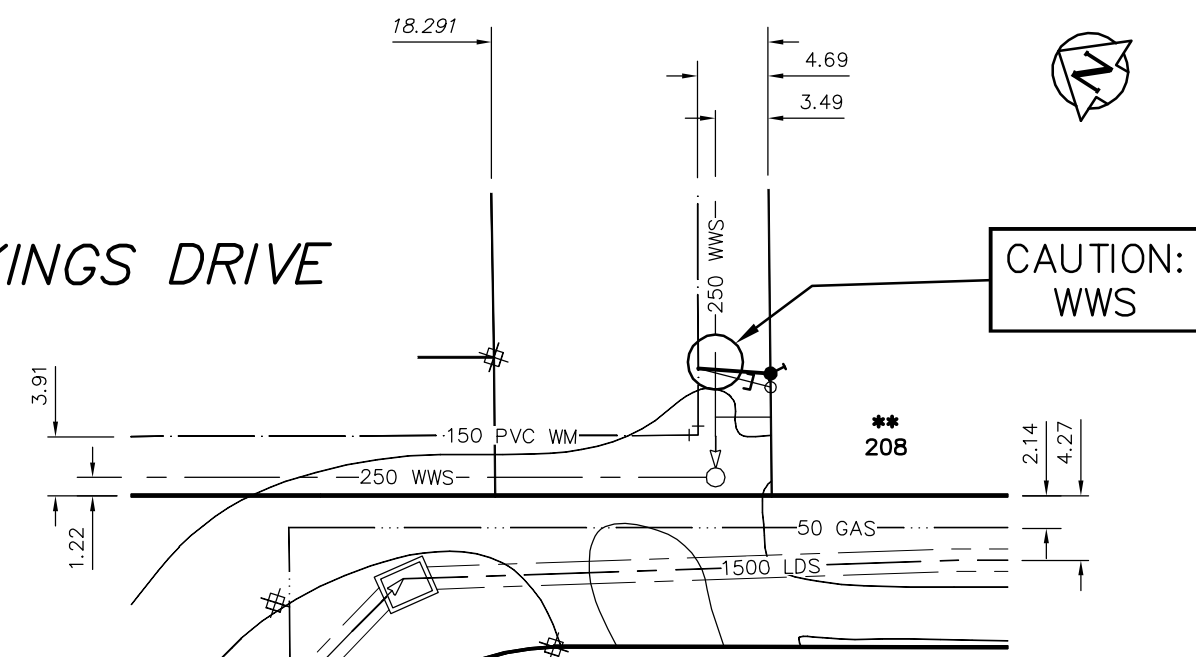
1. CONFIRM LOCATION OF ALL SERVICES IN THE FIELD.
2. CONNECT ALL NEW SERVICES AT EXISTING CORP. LOCATIONS UNLESS OTHERWISE NOTED OR AS DIRECTED BY THE CONTRACT ADMINISTRATOR

APPROXIMATE SEWER DEPTHS

ADDRESS	DEPTH TO INVERT (m) *
58 THATCHER DR	WWS UNKNOWN / LDS UNKNOWN
77 D'ARCY DR	UNKNOWN
208 KINGS DR	4.6
27 BONIN BY	-
49 ST PIERRE ST	WWS 2.9 / LDS 2.4
956 LEMAY AVE	2.9

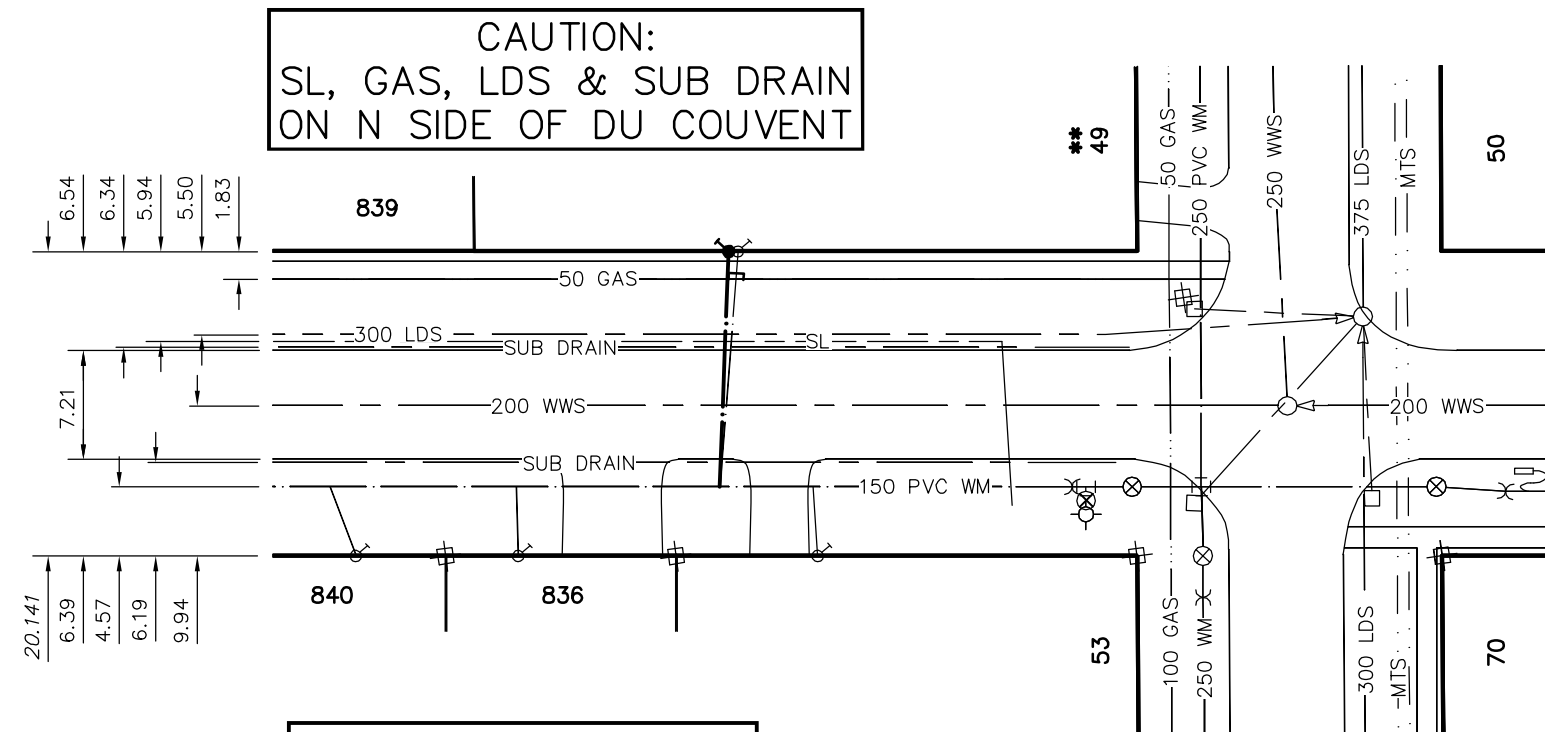
* CONTRACTOR TO VERIFY IN FIELD

KINGS DRIVE



CAUTION:
WWS

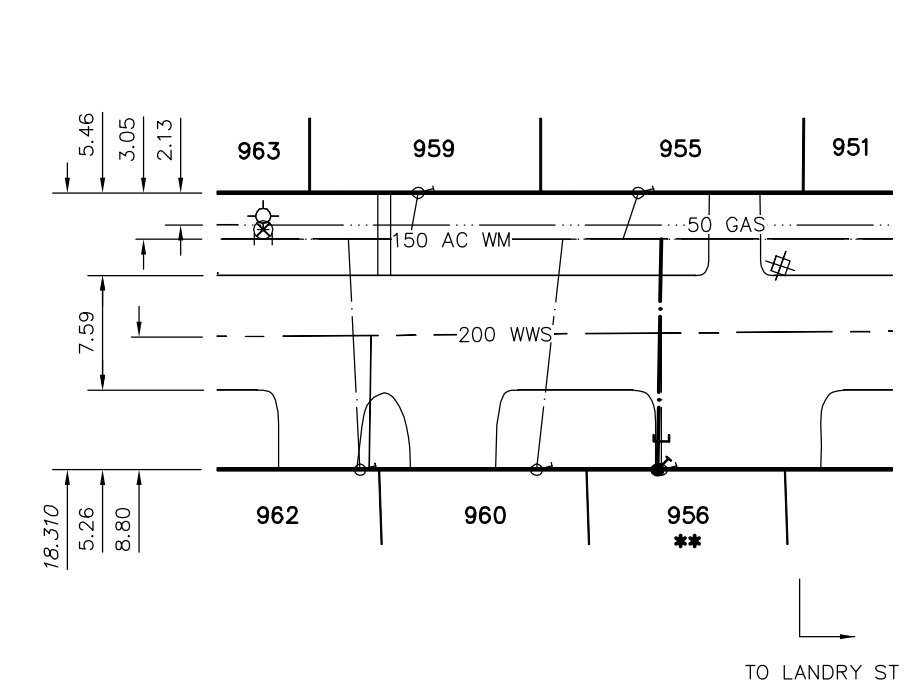
DU COUVENT AVE



CAUTION:
SL, GAS, LDS & SUB DRAIN
ON N SIDE OF DU COUVENT

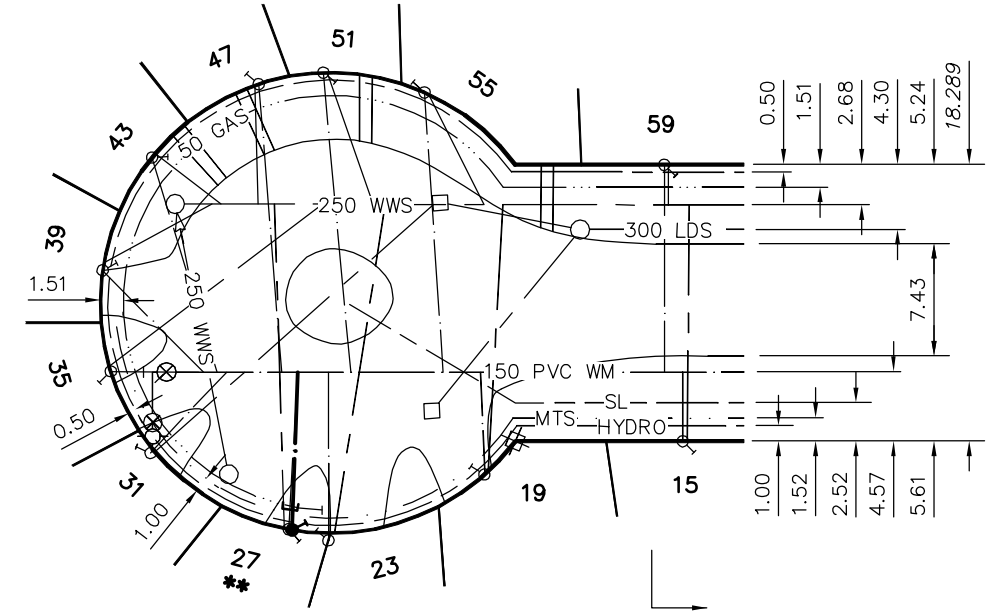
CAUTION:
SUB DRAIN ON S
SIDE OF DU COUVENT

LEMAY AVE



TO LANDRY ST

KILKENNY DR



BONIN BAY

CAUTION:
MTS, GAS & HYDRO
ON E SIDE OF BONIN

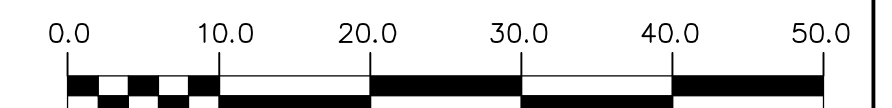
TO GRANDMONT BV

WARNING

IF POWER EQUIPMENT OR EXPLOSIVES ARE TO BE USED FOR EXCAVATION ON THIS PROJECT THE CONTRACTOR MUST:
1) NOTIFY THE GAS COMPANY OF THE PROPOSED LOCATION OF EXCAVATION.
2) TAKE PRECAUTION TO AVOID DAMAGE TO GAS COMPANY INSTALLATIONS.
SEE PROVINCIAL REGULATION 210/72 FOR DETAILS

METRIC

WHOLE NUMBERS INDICATE MILLIMETRES
DECIMALIZED NUMBERS INDICATE METRES



200_WM	WATERMAIN	200_WM	SL, HYDRO	150_WM	WATERMAIN	150_WM
⊕	HYDRANT	⊕	MTS	⊕	HYDRANT	⊕
⊕	VALVE	⊕	TRAFFIC SIGNALS	⊕	VALVE	⊕
⊕	LAND DRAINAGE SEWER	⊕	GAS	⊕	LAND DRAINAGE SEWER	⊕
⊕	WASTEWATER SEWER	⊕	SURVEY BAR	⊕	WASTEWATER SEWER	⊕
○	MANHOLE	●	FENCE	⊕	PROFILE	⊕
□	CATCH BASIN	■	POLE - HYDRO, MTS	⊕	GROUND ABOVE PIPE	⊕
▽	CURB INLET	▽	CURB STOP	⊕	⊕ DITCH (NORTH & WEST)	⊕
∇	REDUCER	∇	GUY ANCHOR	⊕	⊕ DITCH (SOUTH & EAST)	⊕
⊕	COUPLER	⊕	LIGHT STANDARD	⊕	GUTTER (NORTH & WEST)	⊕
⊕	ANODE	⊕	TREE	⊕	GUTTER (SOUTH & EAST)	⊕
EXISTING	LEGEND-PLAN	PROPOSED	EXISTING	LEGEND-PLAN	PROPOSED	EXISTING

LOCATION APPROVED UNDERGROUND STRUCTURES		B.M. ELEV.	FIELD BOOK #:
SUPV. U/G STRUCTURES COMMITTEE	DATE	POSTED TO LBIS	
NOTE: LOCATION OF UNDERGROUND STRUCTURES AS SHOWN ARE BASED ON THE BEST INFORMATION AVAILABLE BUT NO GUARANTEE IS GIVEN THAT ALL EXISTING UTILITIES ARE SHOWN OR THAT THE GIVEN LOCATIONS ARE EXACT. CONFIRMATION OF EXISTENCE AND EXACT LOCATION OF ALL SERVICES MUST BE OBTAINED FROM THE INDIVIDUAL UTILITIES BEFORE PROCEEDING WITH CONSTRUCTION.			
NO.	REVISIONS	DATE	BY

CITY OF WINNIPEG WATER AND WASTE ENGINEERING DIVISION			
DESIGNED BY	RC	CHECKED BY	RC/SC
DRAWN BY	CJH	APPROVED BY	RC
HOR. SCALE	1:500	RELEASED FOR CONSTRUCTION	
VERTICAL		DATE	
DATE	2010 11 09	DATE	

ENGINEER'S SEAL	
ORIGINAL DRAWING SIGNED BY	R.W. CARROLL
DATE	10/11/09
BID OPPORTUNITY:	825-2010
FILENAME :	D-12207.dwg
PLOT DATE:	2010 11 09

THE CITY OF WINNIPEG
WATER AND WASTE DEPARTMENT

2011 WATER SERVICE REPLACEMENT PROGRAM, CONTRACT 10
AREA 4

THATCHER DRIVE, D'ARCY DRIVE, ST PIERRE STREET, KINGS DRIVE, BONIN BAY, LEMAY AVE

SHEET 6 OF 6
CITY DRAWING NUMBER
D-12207