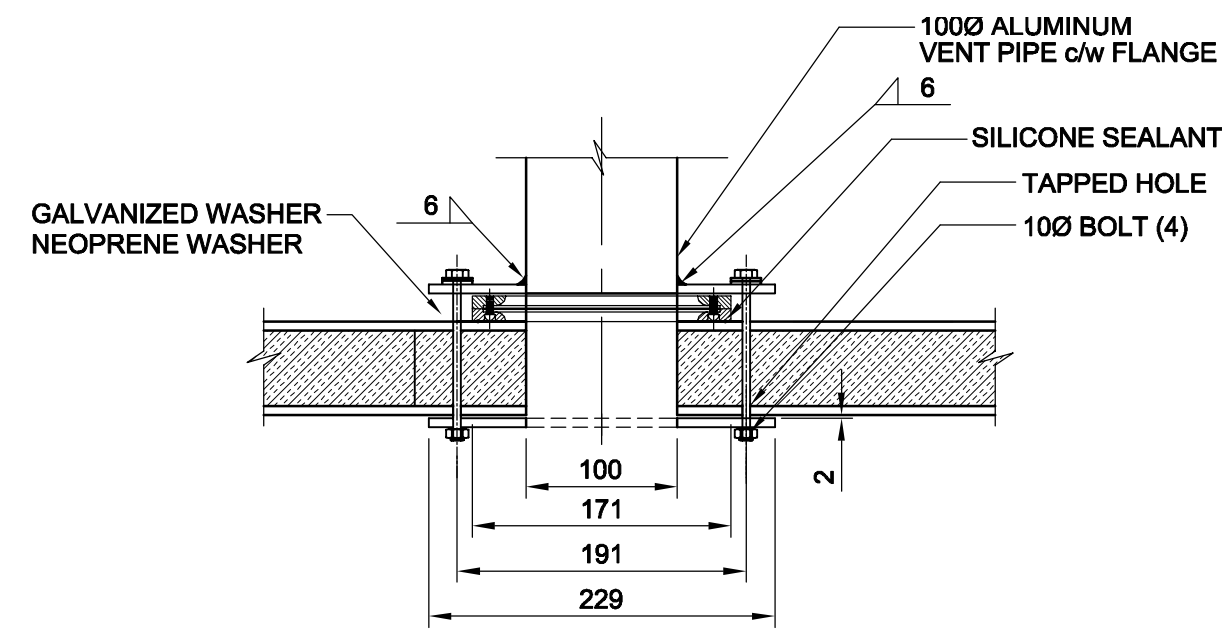


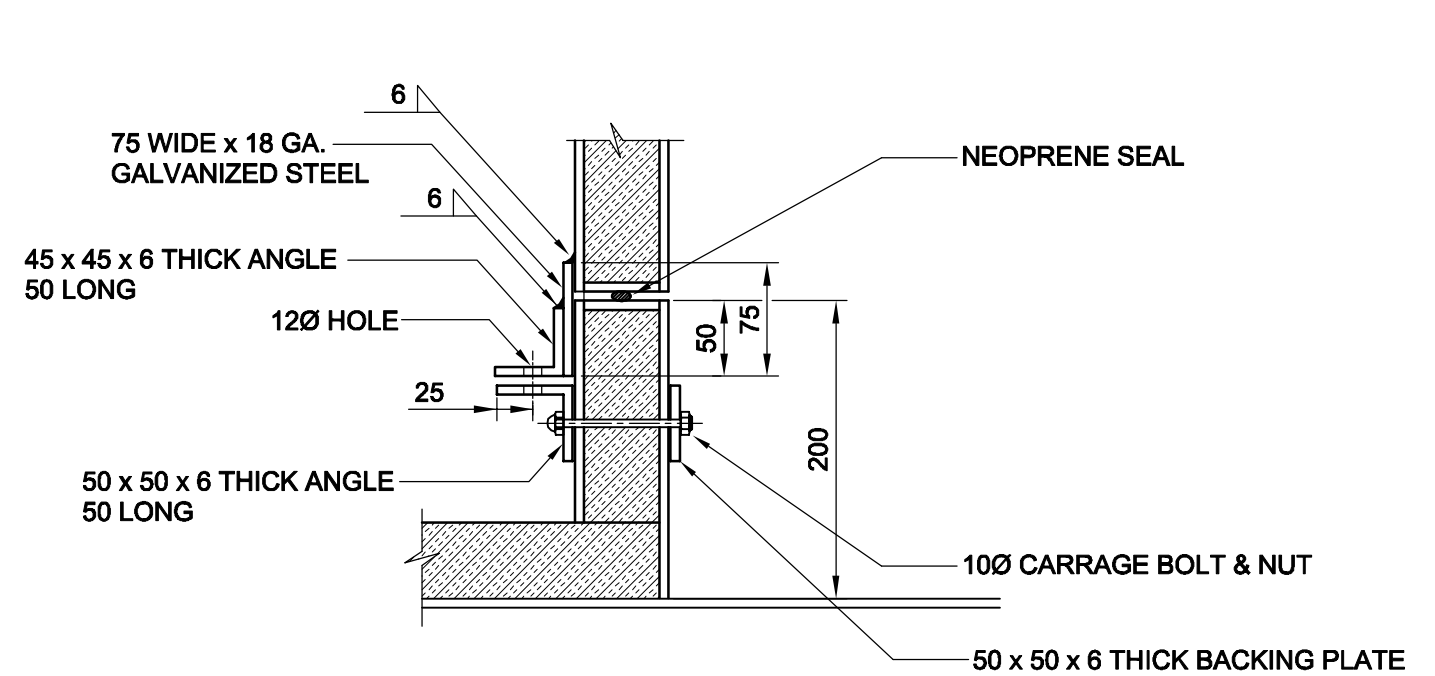
D SIZE 22" x 34" (559mm x 864mm)

PLOT: 11/05/11 11:32:20 AM

AECOM REVIEW DRFT CHK KMB
AECOM FILE NAME: D265-230-02_01-C-4002_RX.dwg Saved By: [Name]



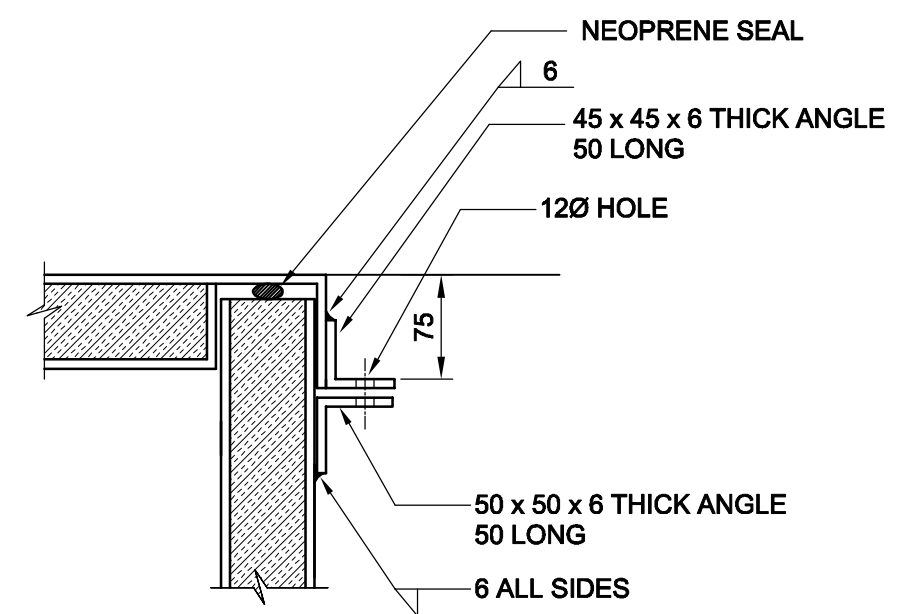
AIR DAMPER RETAINER CLIP DETAIL



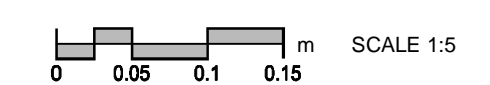
FASTENING DETAIL



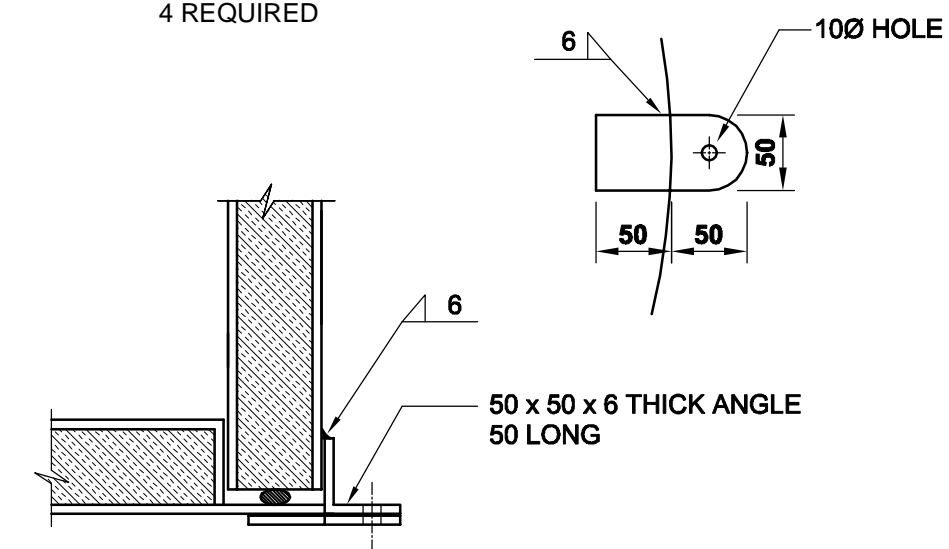
FOR NEW AIR VALVE BOX
4 REQUIRED



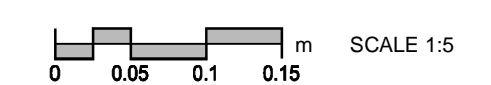
LOCKABLE COVER 'A' DETAIL



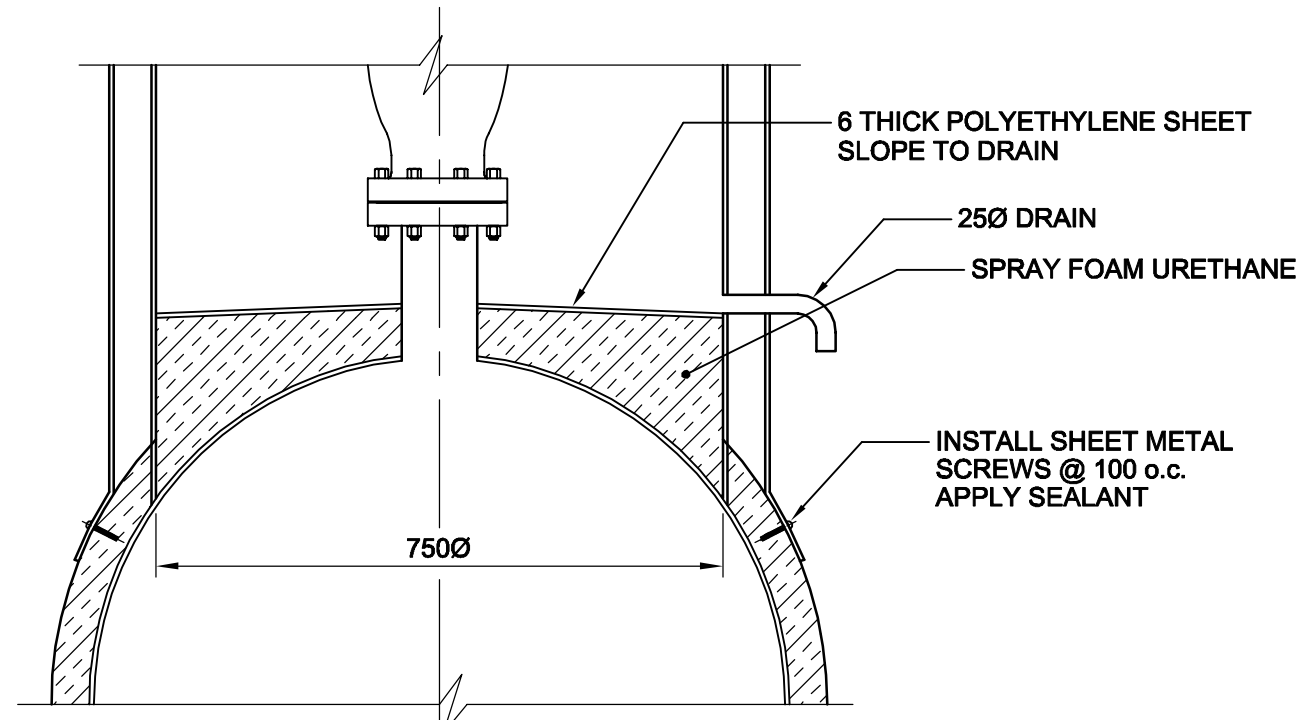
4 PER COVER



LOCKABLE COVER 'B' DETAIL



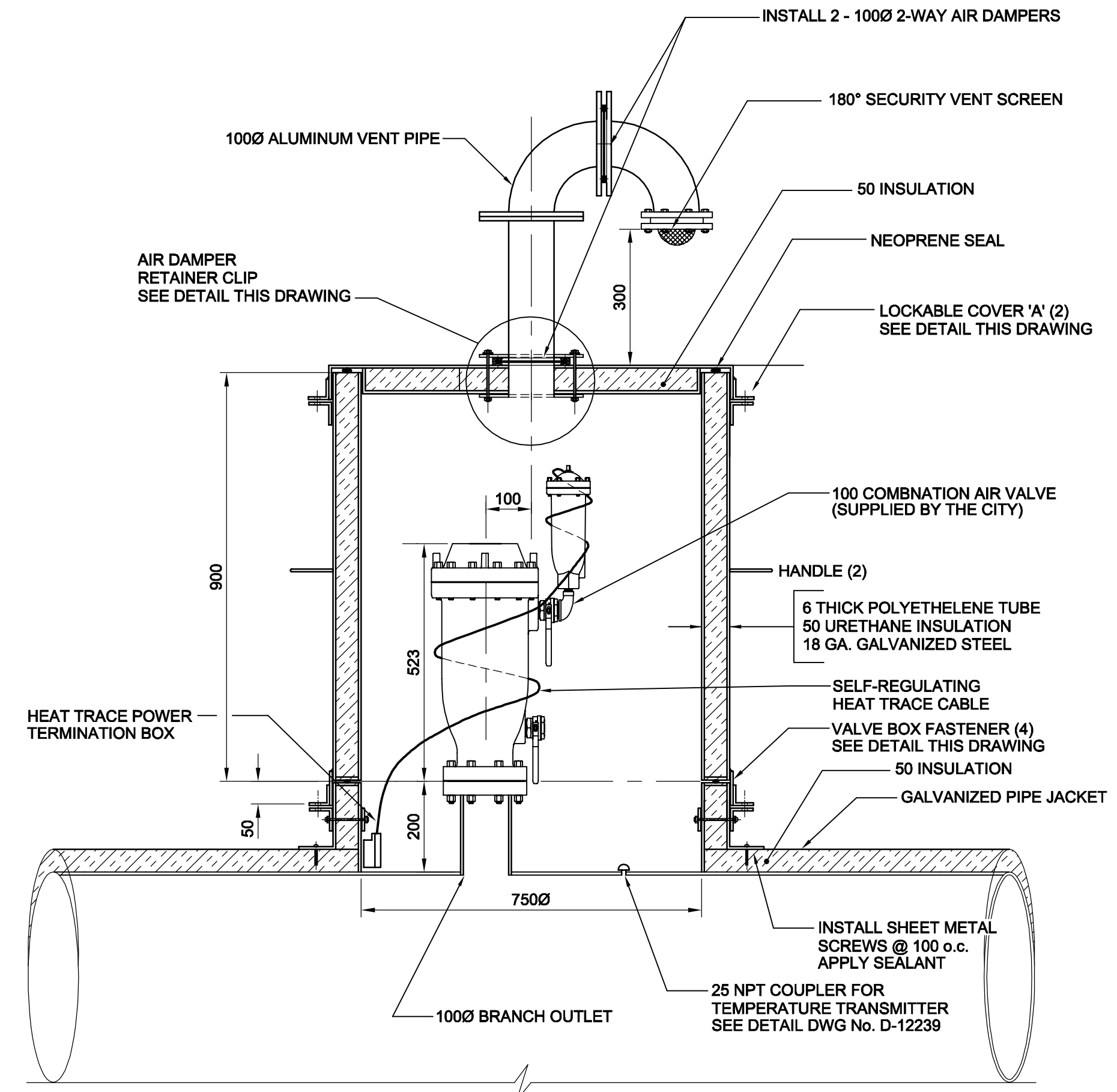
4 PER COVER



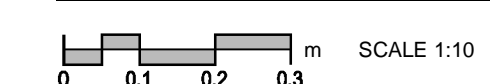
NEW AIR VALVE BOX



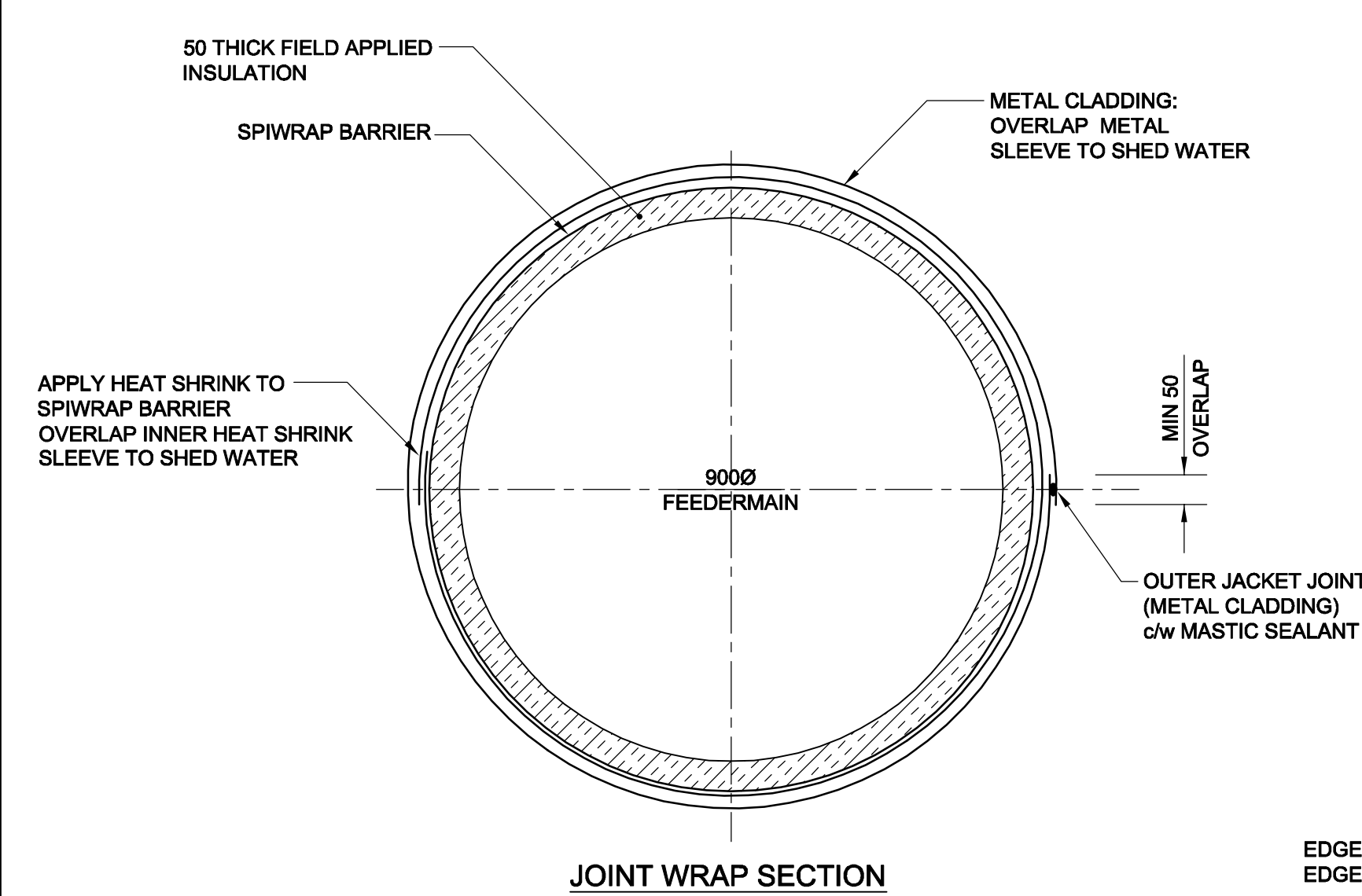
END VIEW



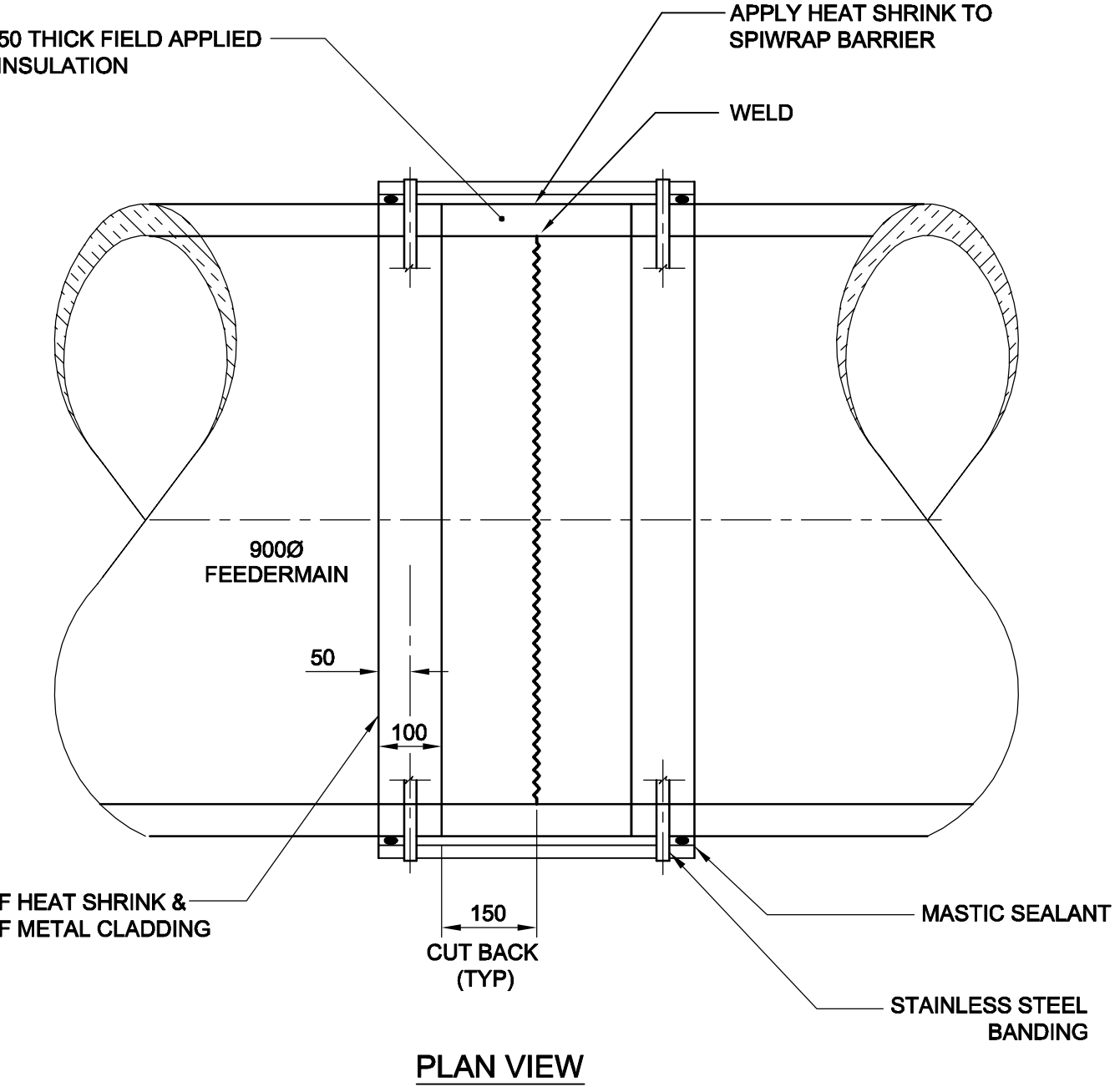
NEW AIR VALVE BOX



SECTION

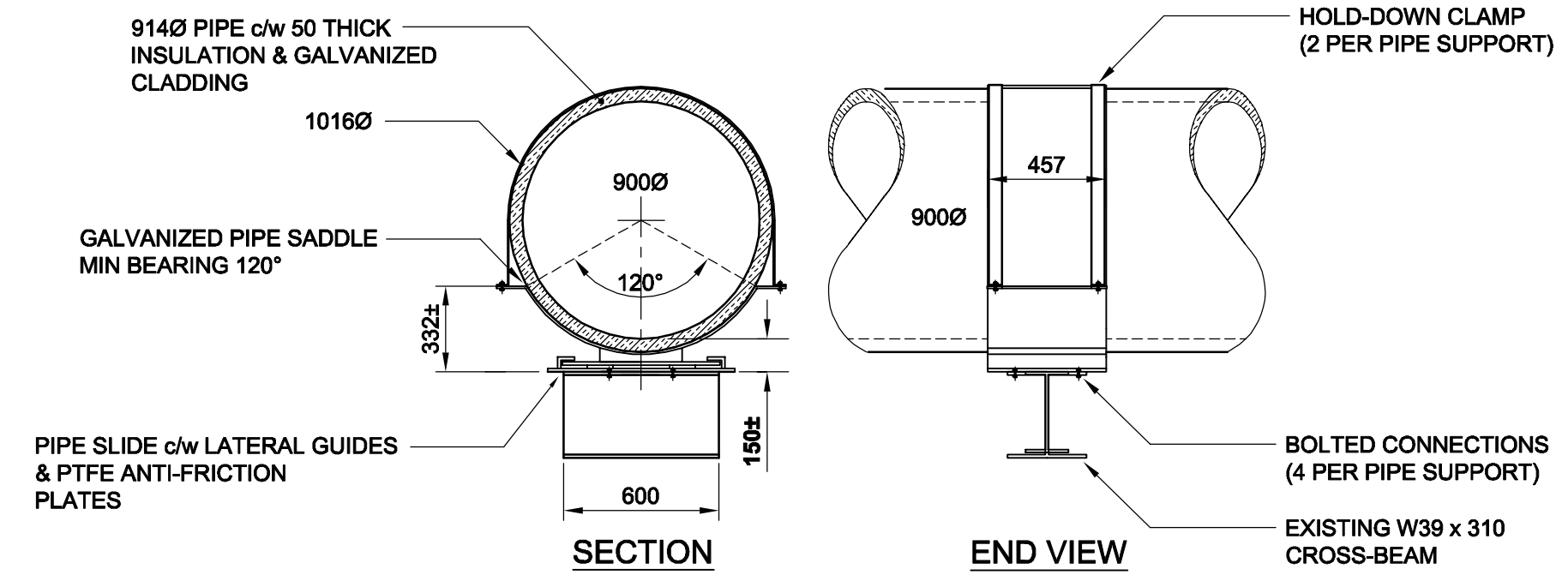
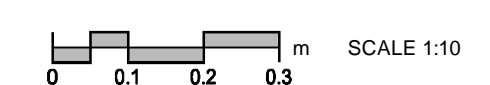


JOINT WRAP SECTION



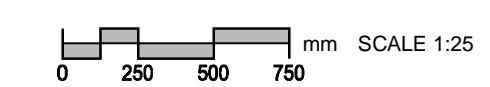
PLAN VIEW

FIELD INSULATION DETAIL



- TYPICAL PIPE SLIDE DESIGN NOTES:**
1. SLIDE SHALL ACCOMMODATE MIN 100 LONGITUDINAL MOVEMENT.
 2. SLIDE SHALL BE DESIGNED TO PREVENT LATERAL MOVEMENT.
 3. SLIDE SHALL BE BOLTED TO EXISTING BRIDGE MEMBER.
 4. SLIDE SHALL BE DESIGNED FOR OPERATING TEMPERATURE +40° TO -40°C.
 5. ALL COMPONENTS TO BE HOT DIPPED ZINC GALVANIZED
 6. SLIDE SHALL BE DESIGNED FOR A WORKING LOAD OF 12,400 x 1.25 SAFETY FACTOR

FEEDERMAIN PIPE SUPPORTS WITH TEFLON SLIDE



LOCATED ON EXISTING BRIDGE

APEGM
Certificate of Authorization
AECOM Canada Ltd.
No. 4671 Date: 11 May 2011

150 WM	WATERMAIN	150 WM	150 WM	WATERMAIN	150 WM	WATERMAIN	150 WM	WATERMAIN
○	HYDRANT	○	○	REDUCER	○	○	○	HYDRANT
○	VALVE	○	○	COUPLING	○	○	○	VALVE
○	LAND DRAINAGE SEWER	○	○	ANODE	○	○	○	LAND DRAINAGE SEWER
○	WASTE WATER SEWER	○	○	HYDRO	○	○	○	WASTE WATER SEWER
○	MANHOLE	○	○	MTS	○	○	○	PAVEMENT CROWN
○	CATCH BASIN	○	○	GAS	○	○	○	N/W PROPERTY LINE
○	CURB INLET	○	○	TESTHOLE	○	○	○	S/E PROPERTY LINE
○	CULVERT	○	○	LAMP STANDARD	○	○	○	N/W GUTTER
○	PIPE ABANDONMENTS	○	○	TREE	○	○	○	S/E GUTTER
○	SURVEY BAR	○	○		○	○	○	
○	EXISTING	○	○	LEGEND - PLAN	○	○	○	LEGEND - PROFILE
○	NEW	○	○		○	○	○	

LOCATION APPROVED UNDERGROUND STRUCTURES

SUPR. U/G STRUCTURES	DATE	COMMITTEE

NOTE:
LOCATION OF UNDERGROUND STRUCTURES AS SHOWN ARE BASED ON THE BEST INFORMATION AVAILABLE. BUT NO GUARANTEE IS GIVEN THAT ALL EXISTING UTILITIES ARE SHOWN OR THAT THE GIVEN LOCATIONS ARE EXACT. CONFIRMATION OF EXISTENCE AND EXACT LOCATION OF ALL SERVICES MUST BE OBTAINED FROM THE INDIVIDUAL UTILITIES BEFORE PROCEEDING WITH CONSTRUCTION.

NO.	ISSUED FOR CONSTRUCTION	11/05/09	WJd

AECOM

DESIGNED BY	MGM	CHECKED BY	FMI

DRAWN BY	WJd	APPROVED BY	AN

HOR. SCALE	1:250	RELEASED FOR CONSTRUCTION	

VERT. SCALE	1:50	DATE	May 11/11

PROFESSIONAL'S SEAL
REVISION '0'
Issued For Construction
Sealed By:
C. C. MACEY
11 May 2011
CONSULTANT DRAWING NO.
D265-230-02_01-C-4002_RX.dwg

THE CITY OF WINNIPEG
WATER AND WASTE DEPARTMENT

REHABILITATION / REPLACEMENT OF THE MID TOWN FEEDERMAIN AT THE ASSINIBOINE RIVER

CIVIL
PIPE SECTIONS & DETAILS
South & North Connections

SHEET 5 OF 18
CITY DRAWING NUMBER
D-12231
REV 0

BID OPPORTUNITY NO. 854-2010