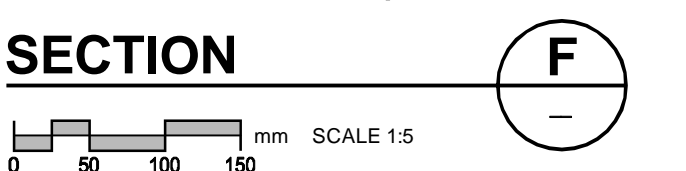
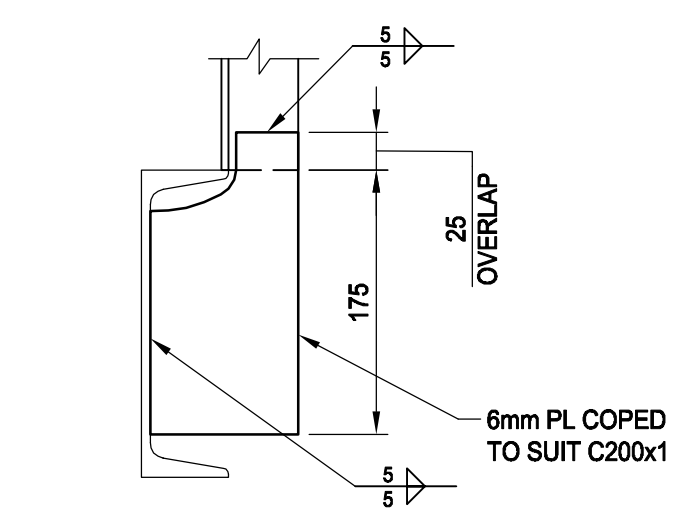
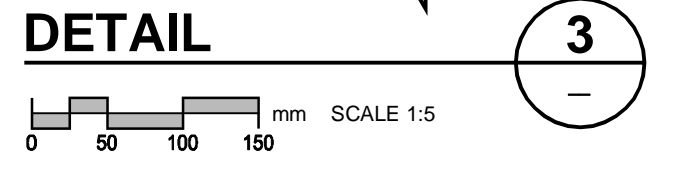
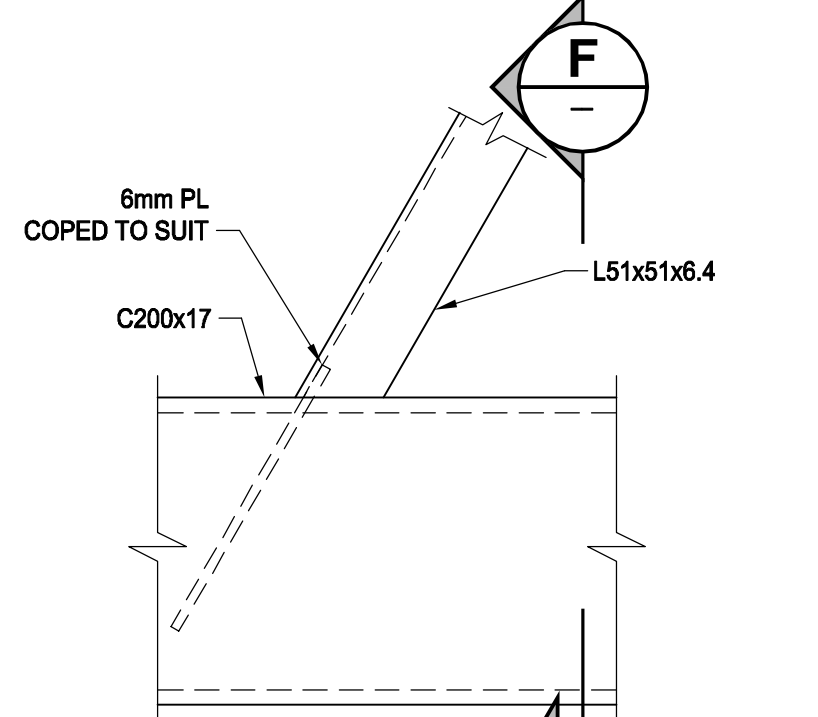
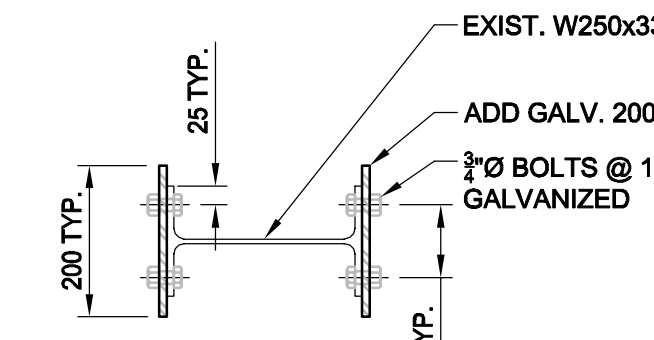
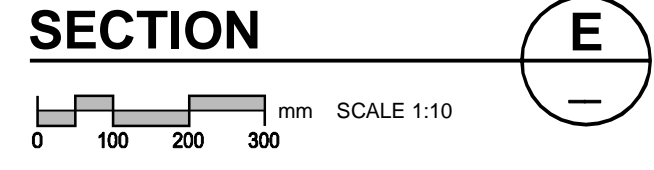
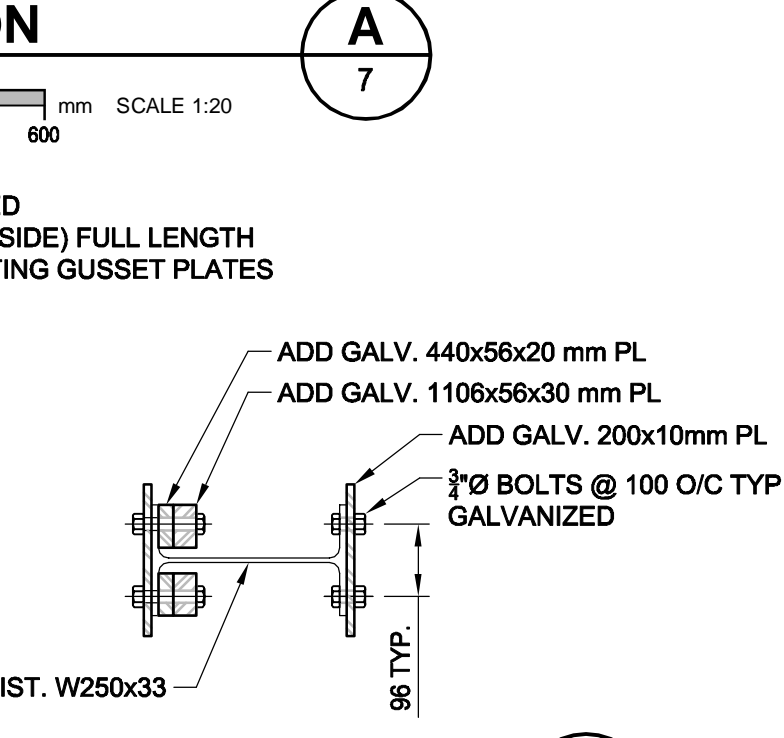
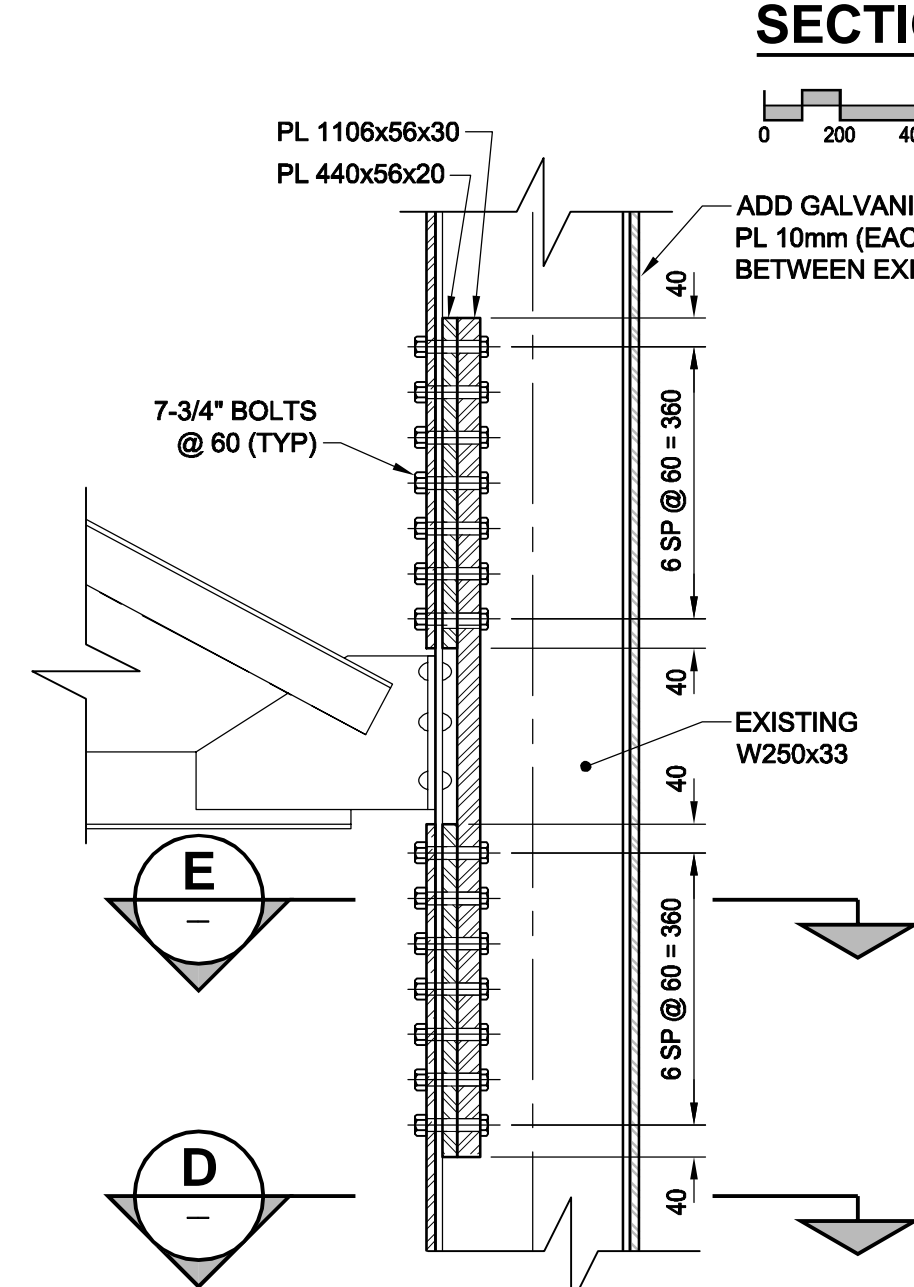
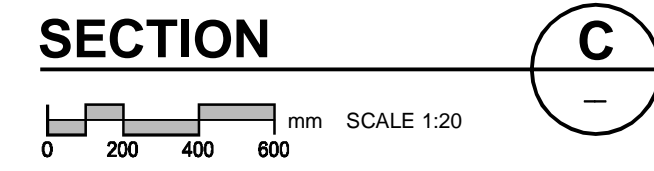
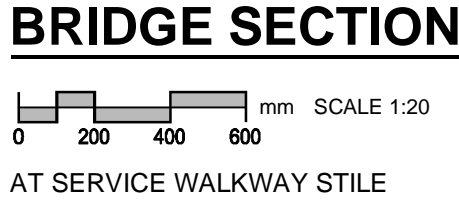
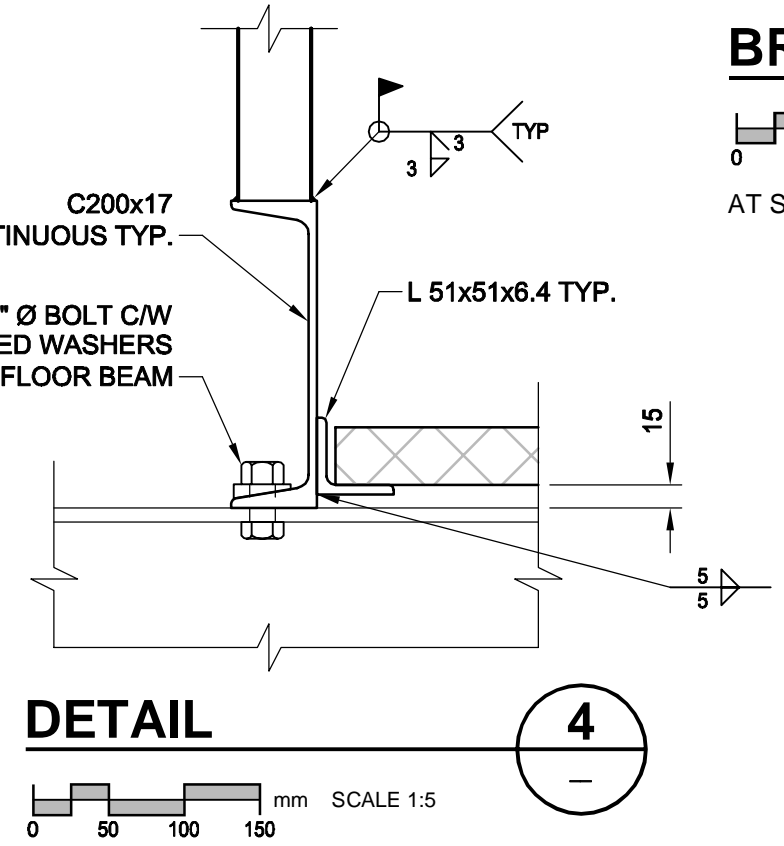
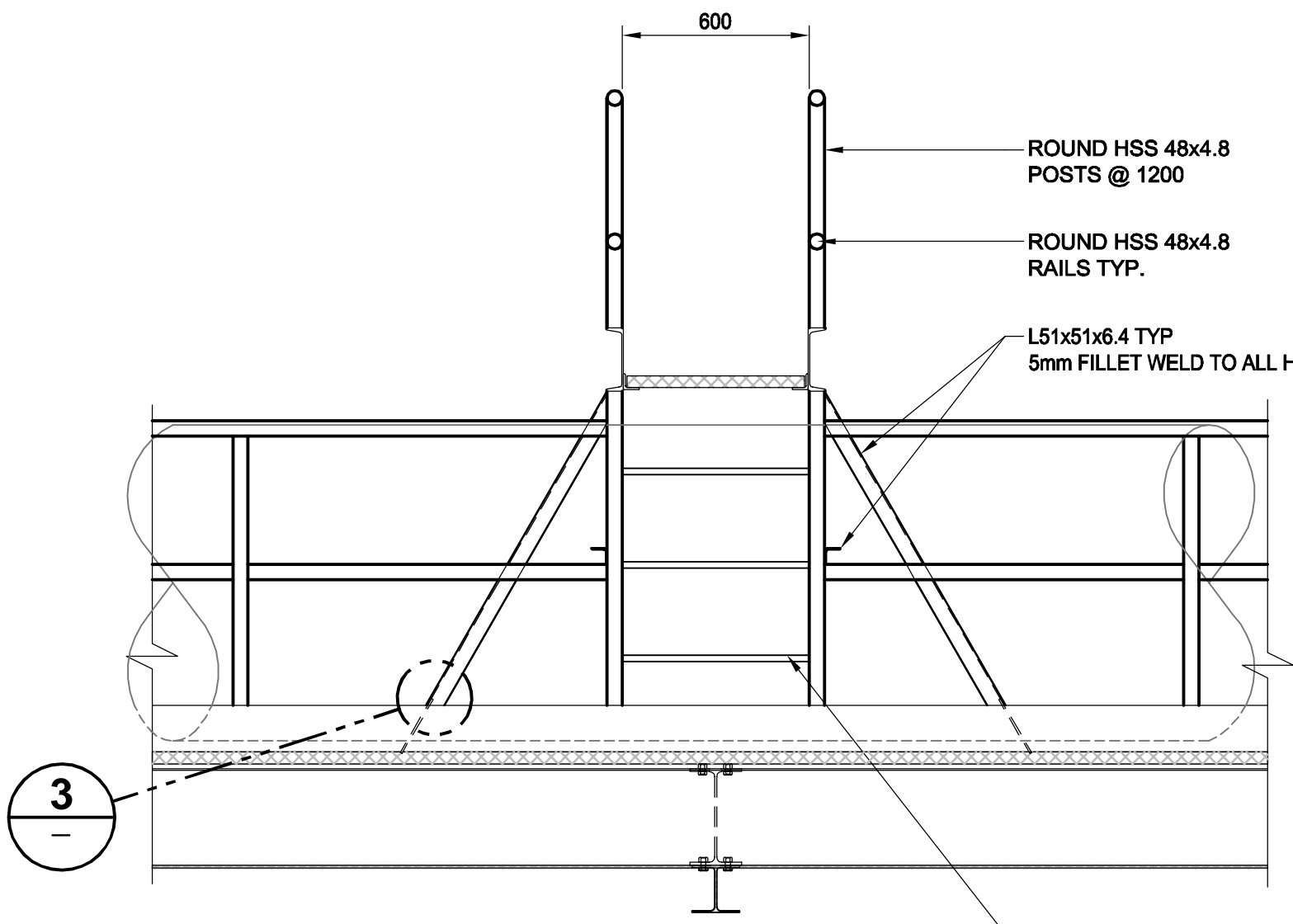
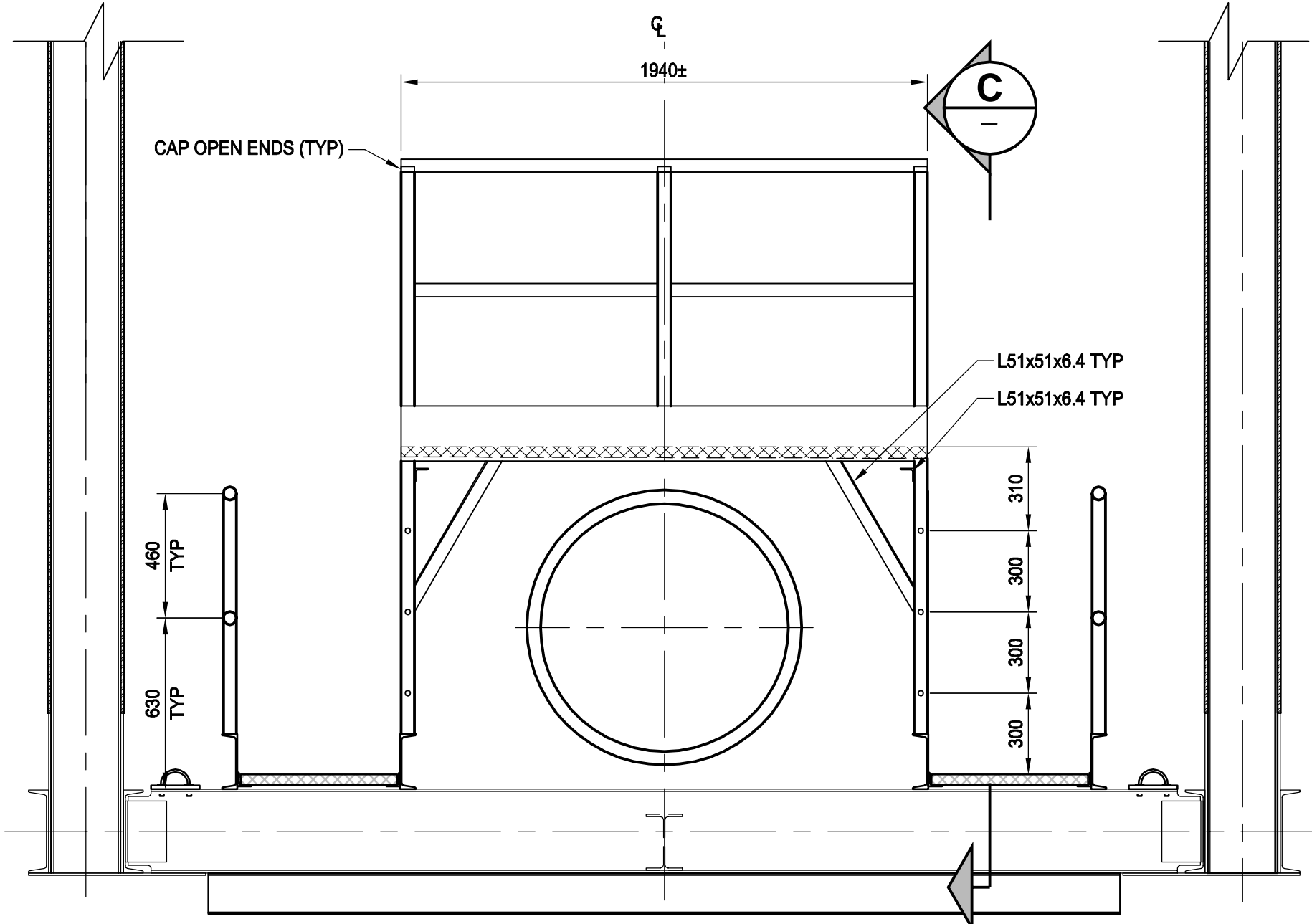
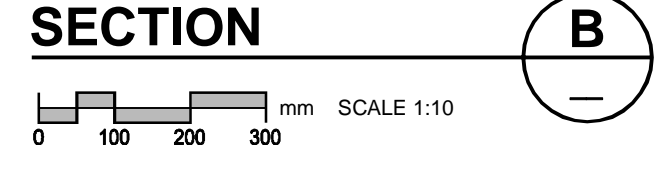
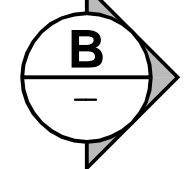
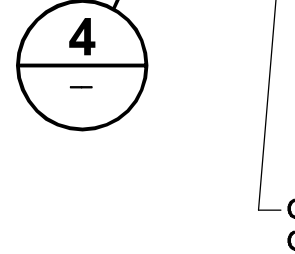
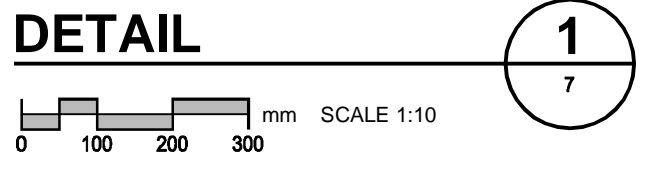
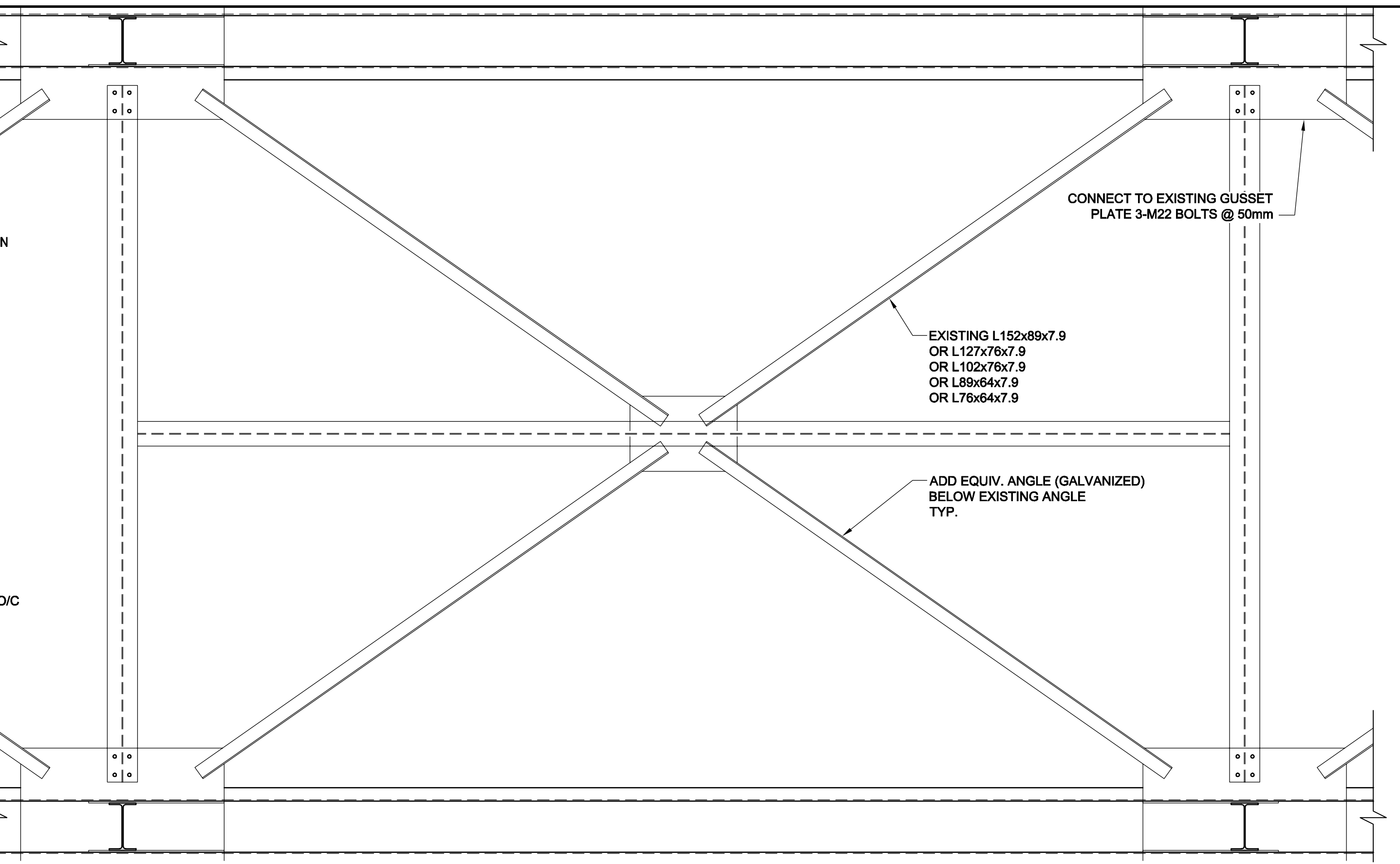
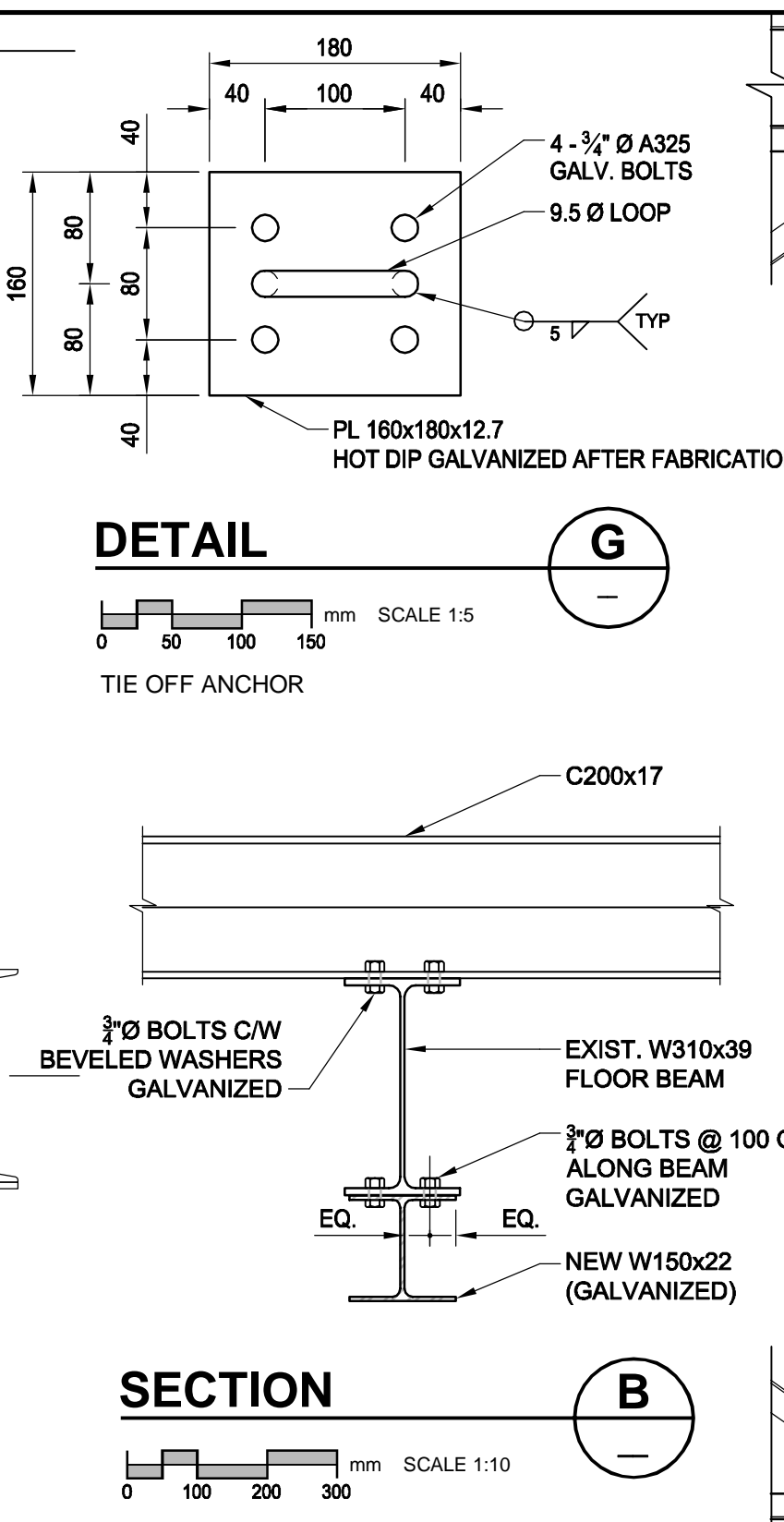
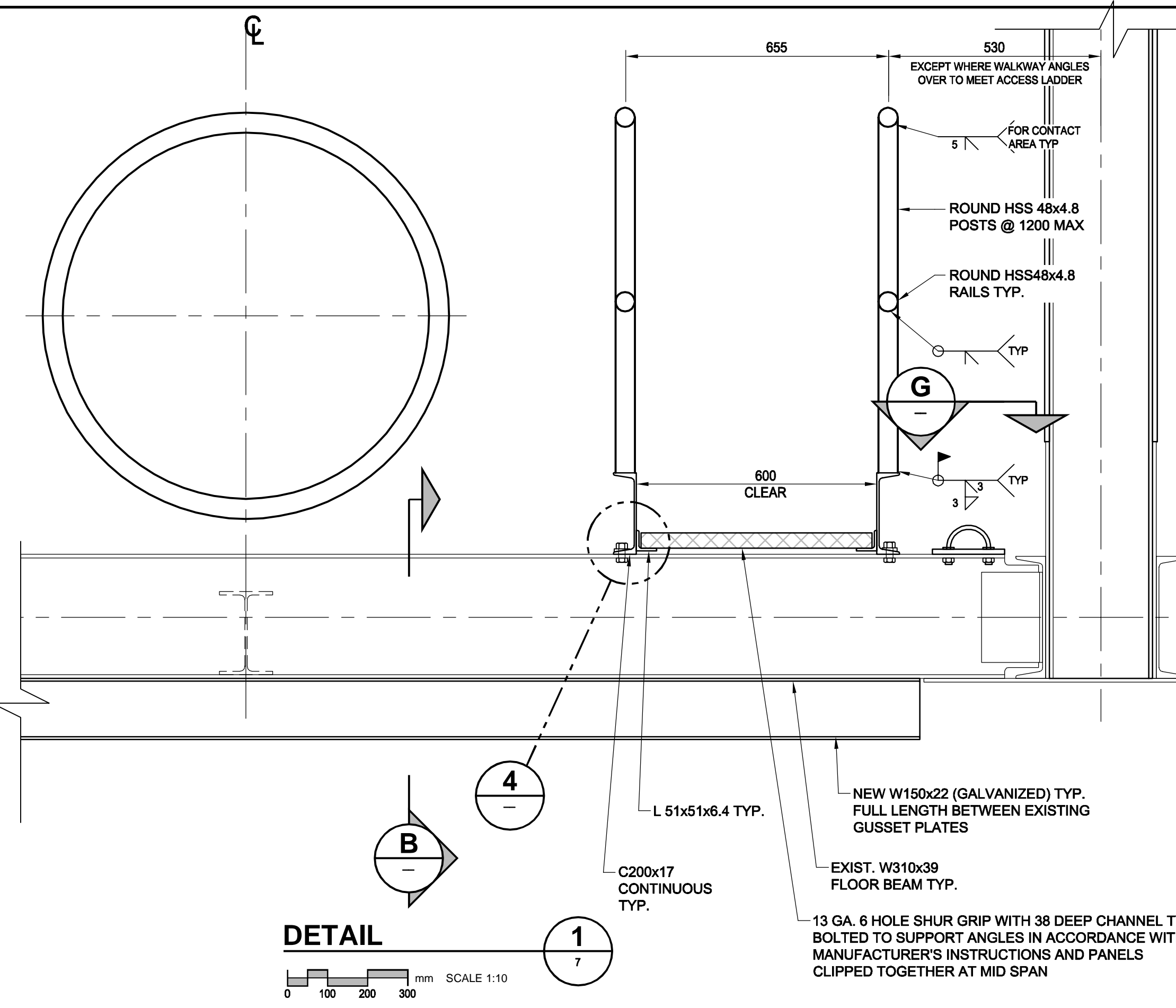


D SIZE 22" x 34" (559mm x 864mm)

PLOT: 11/05/11 9:58:39 AM

AECOM REVIEW DRFT CHK KC AECOM FILE NAME: D265-230-02_01-S-4003_RX.dwg Saved By: denoudemw



NOTE: REFER TO GENERAL NOTES ON SHEETS 6 AND 7

BID OPPORTUNITY NO. 854-2010

LOCATION APPROVED UNDERGROUND STRUCTURES

SUPR. U/G STRUCTURES COMMITTEE DATE

NOTE: LOCATION OF UNDERGROUND STRUCTURES AS SHOWN ARE BASED ON THE BEST INFORMATION AVAILABLE. BUT NO GUARANTEE IS GIVEN THAT ALL EXISTING UTILITIES ARE SHOWN OR THAT THE GIVEN LOCATIONS ARE EXACT. CONFIRMATION OF EXISTENCE AND EXACT LOCATION OF ALL SERVICES MUST BE OBTAINED FROM THE INDIVIDUAL UTILITIES BEFORE PROCEEDING WITH CONSTRUCTION.



AECOM		This drawing has been prepared for the use of AECOM's client and may not be used, reproduced or relied upon by third parties, except as agreed by AECOM and its client, as required by law or for use by governmental reviewing agencies. AECOM accepts no responsibility, and denies any liability whatsoever, to any party that modifies this drawing without AECOM's express written consent. Do not scale this document. All measurements must be obtained from stated dimensions.	
DESIGNED BY	FT/ARB	CHECKED BY	SBB/KC
DRAWN BY	DJH	APPROVED BY	EBL
HOR. SCALE	AS NOTED	RELEASED FOR CONSTRUCTION	K. Zurek
VERT. SCALE	AS NOTED	DATE	May 11/11

PROFESSIONAL'S SEAL

REVISION '0'
Issued For Construction
Sealed By:
S. B. BISWANGER
May 9, 2011

CONSULTANT DRAWING NO.
D265-230-02_01-S-4003_RX.dwg

THE CITY OF WINNIPEG WATER AND WASTE DEPARTMENT

REHABILITATION / REPLACEMENT OF THE MID TOWN FEEDERMAIN AT THE ASSINBOINE RIVER

STRUCTURAL

DETAILS I

SHEET 8 OF 18

CITY DRAWING NUMBER

D-12234

REV 0