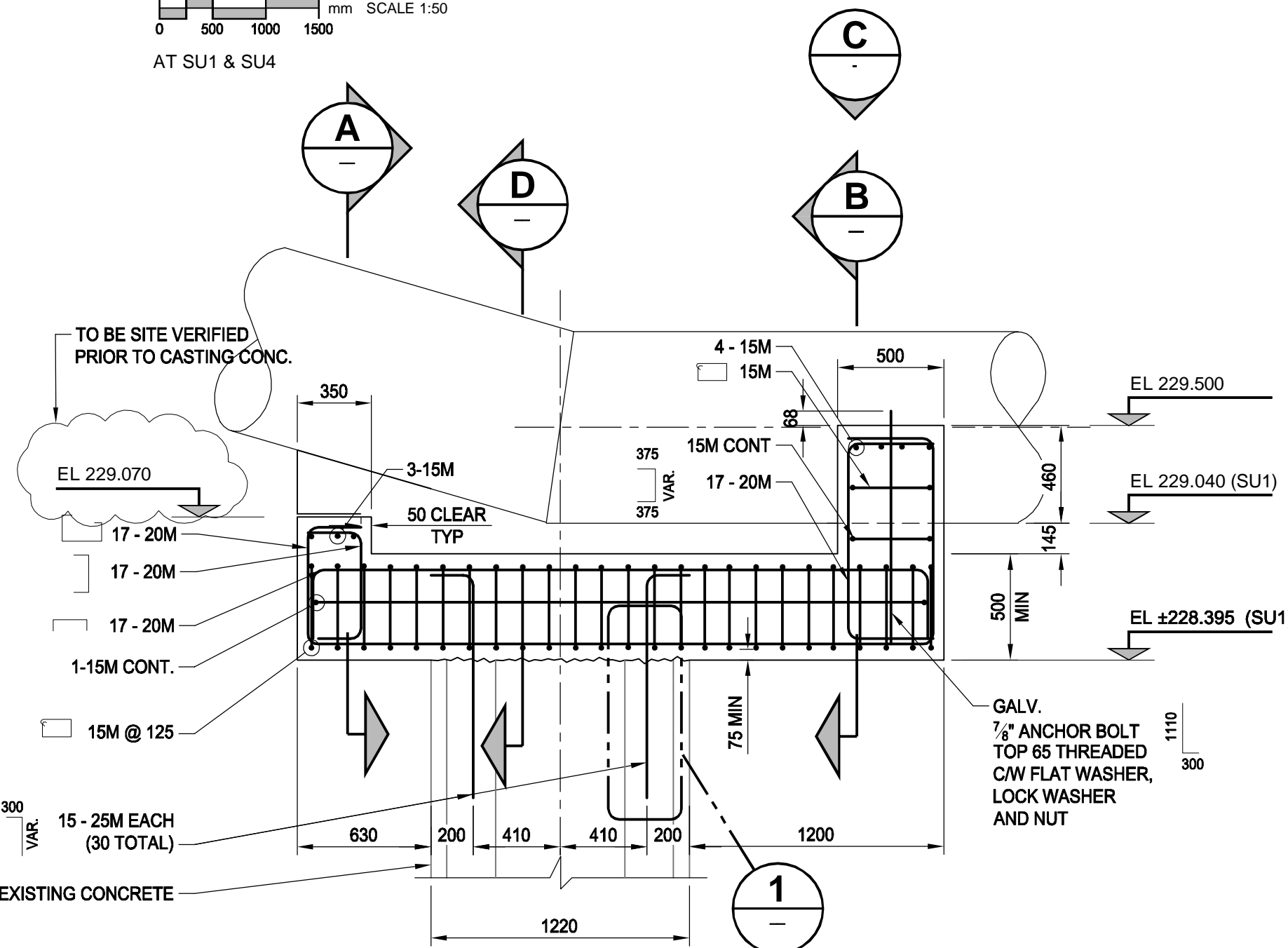


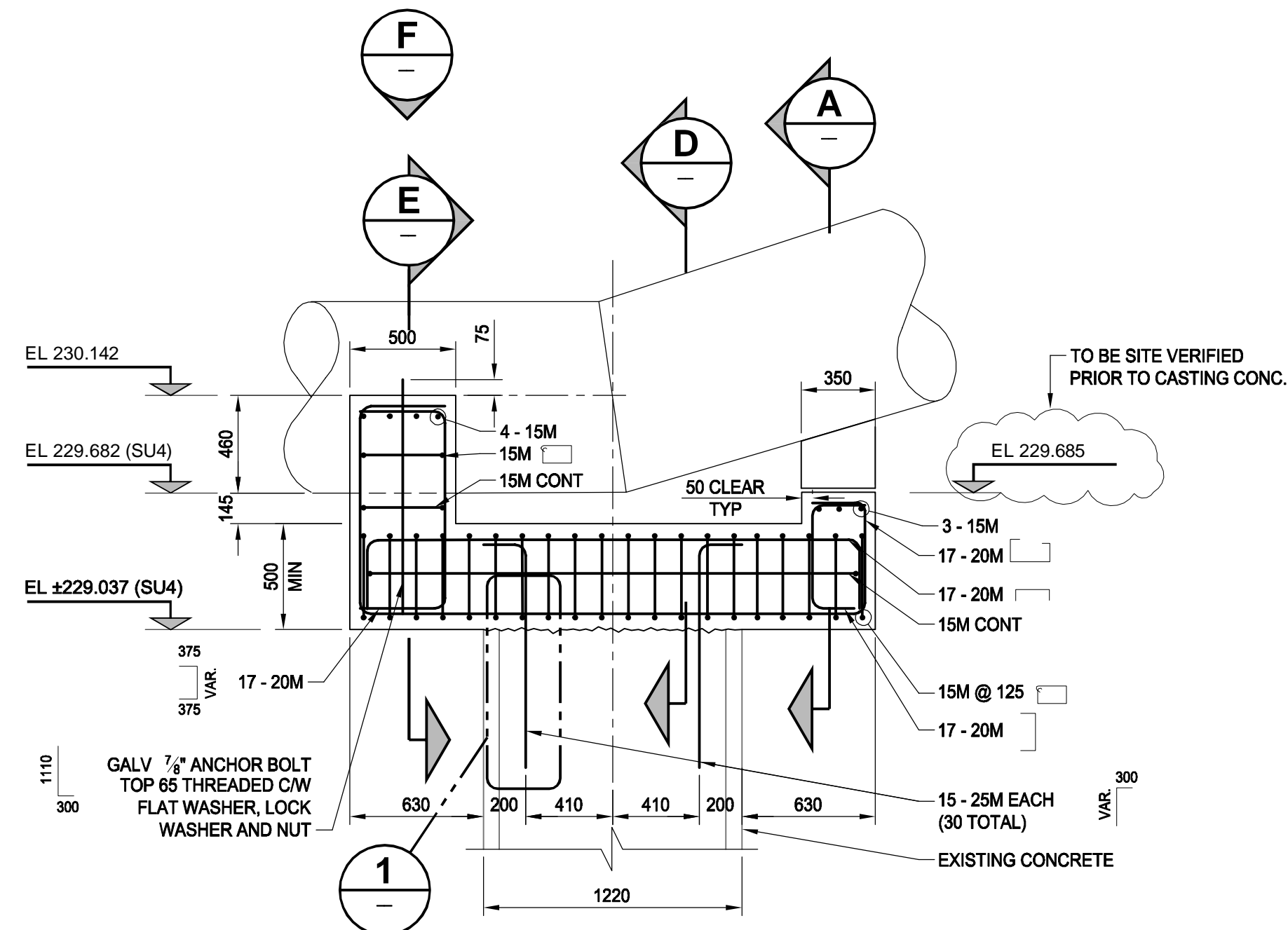
### TYPICAL SHORE PIER ELEVATION

SCALE 1:50  
AT SU1 & SU4



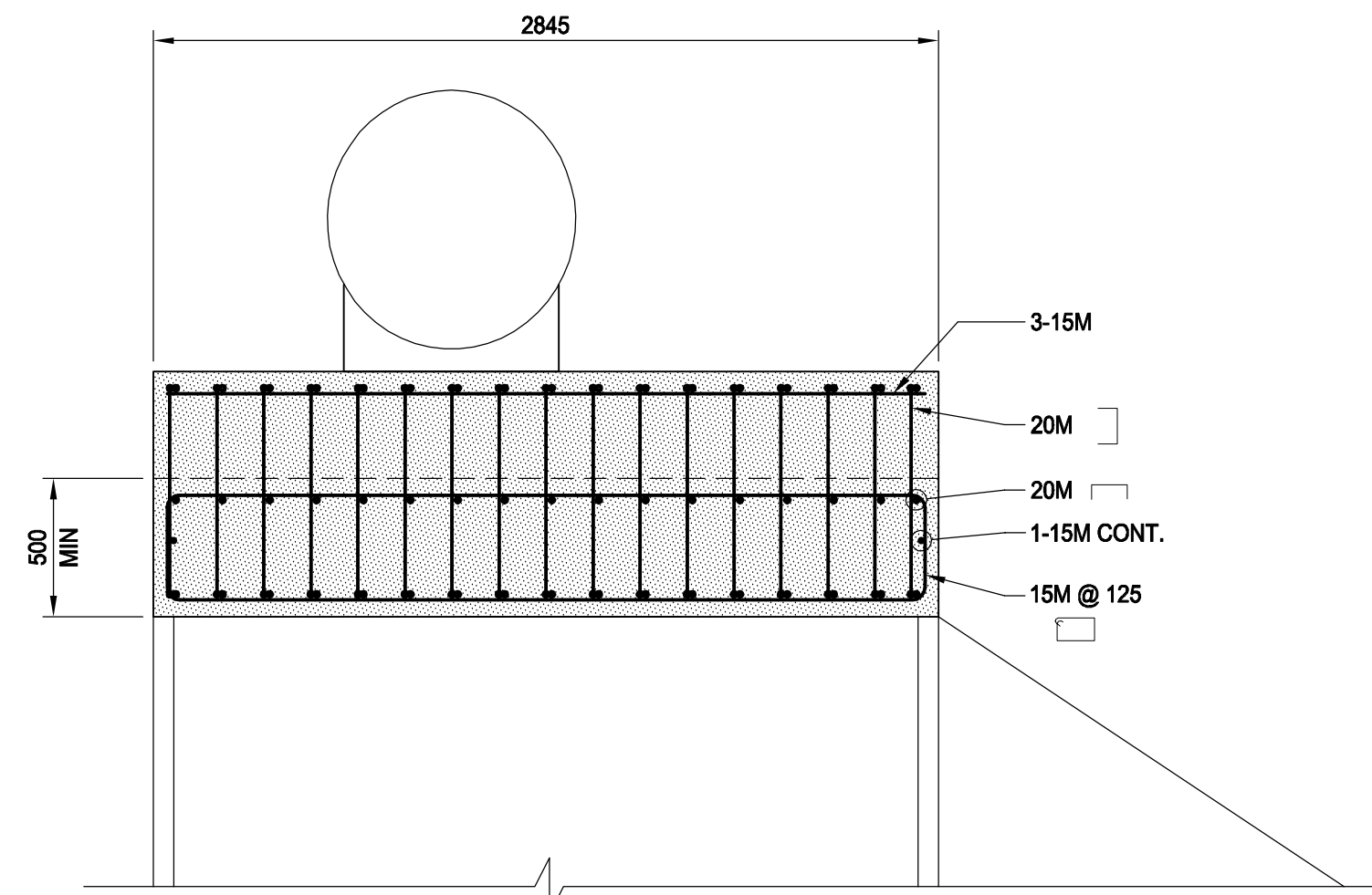
### SHORE PIER SU1

SCALE 1:25  
EAST END ELEVATION



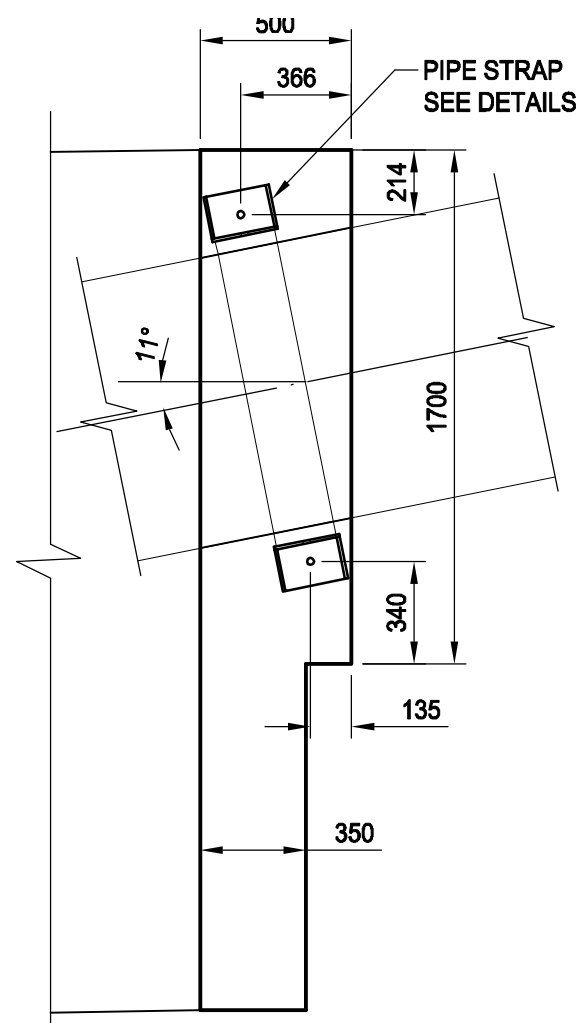
### SHORE PIER SU4

SCALE 1:25  
EAST END ELEVATION



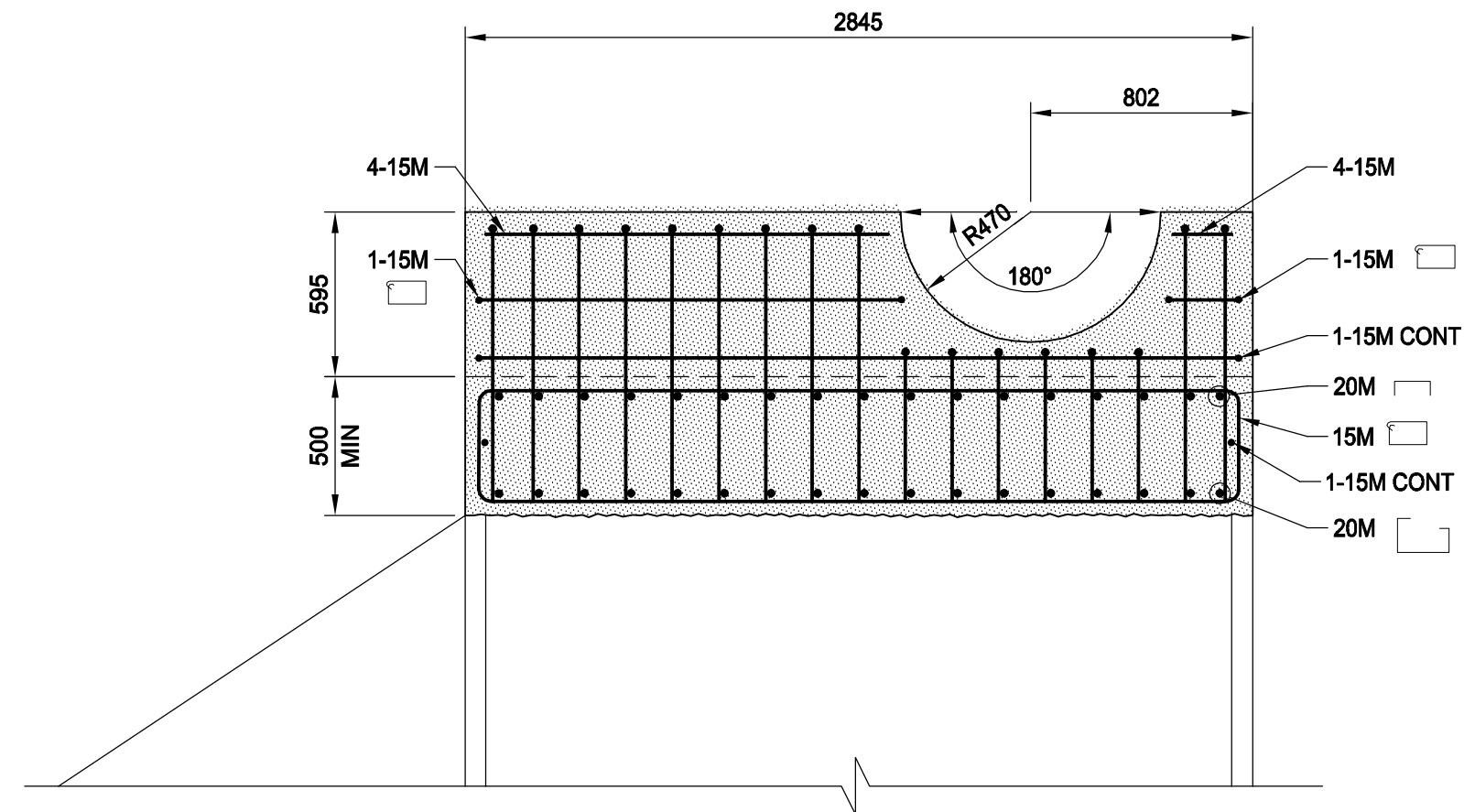
### SECTION A

SCALE 1:25



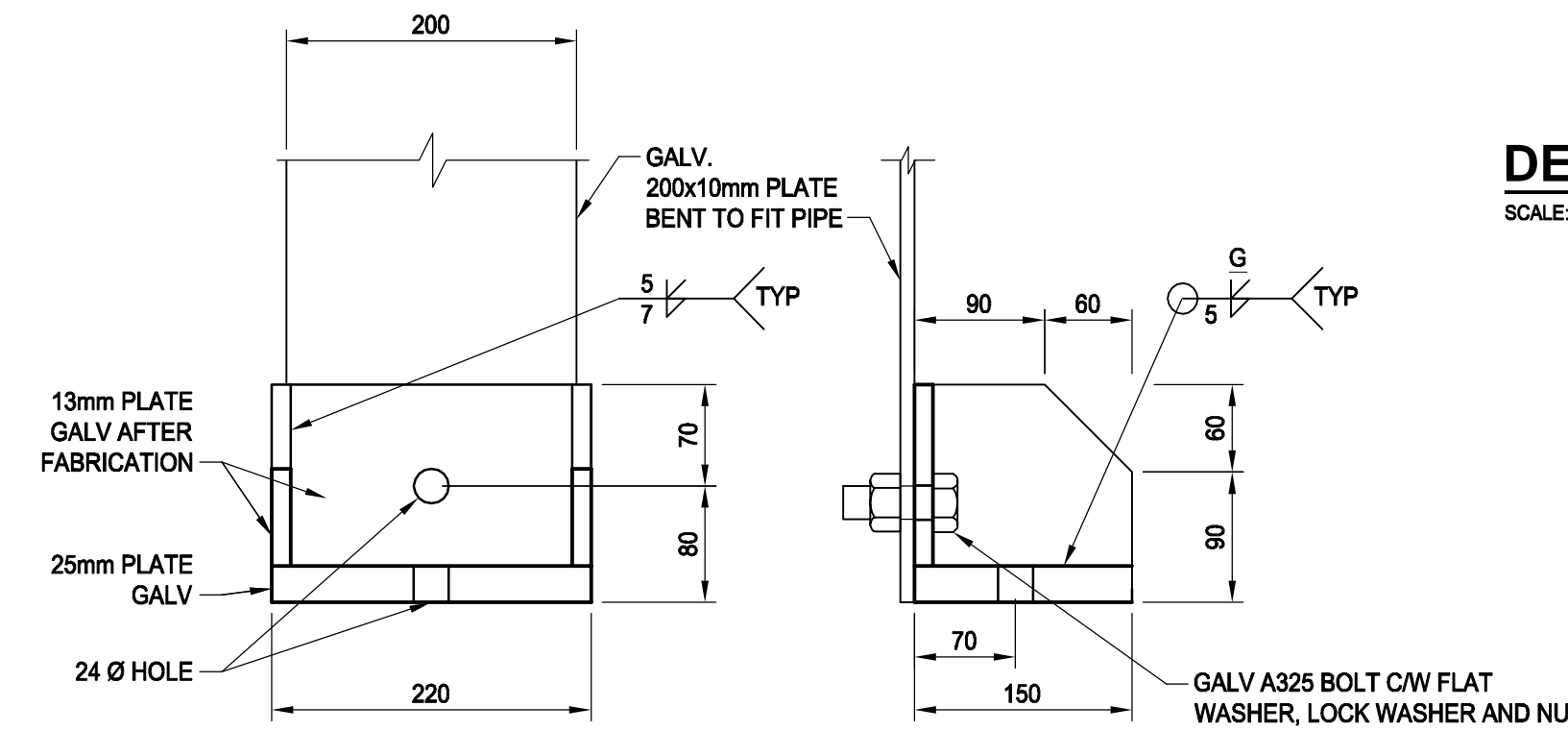
### PLAN C

SCALE 1:25



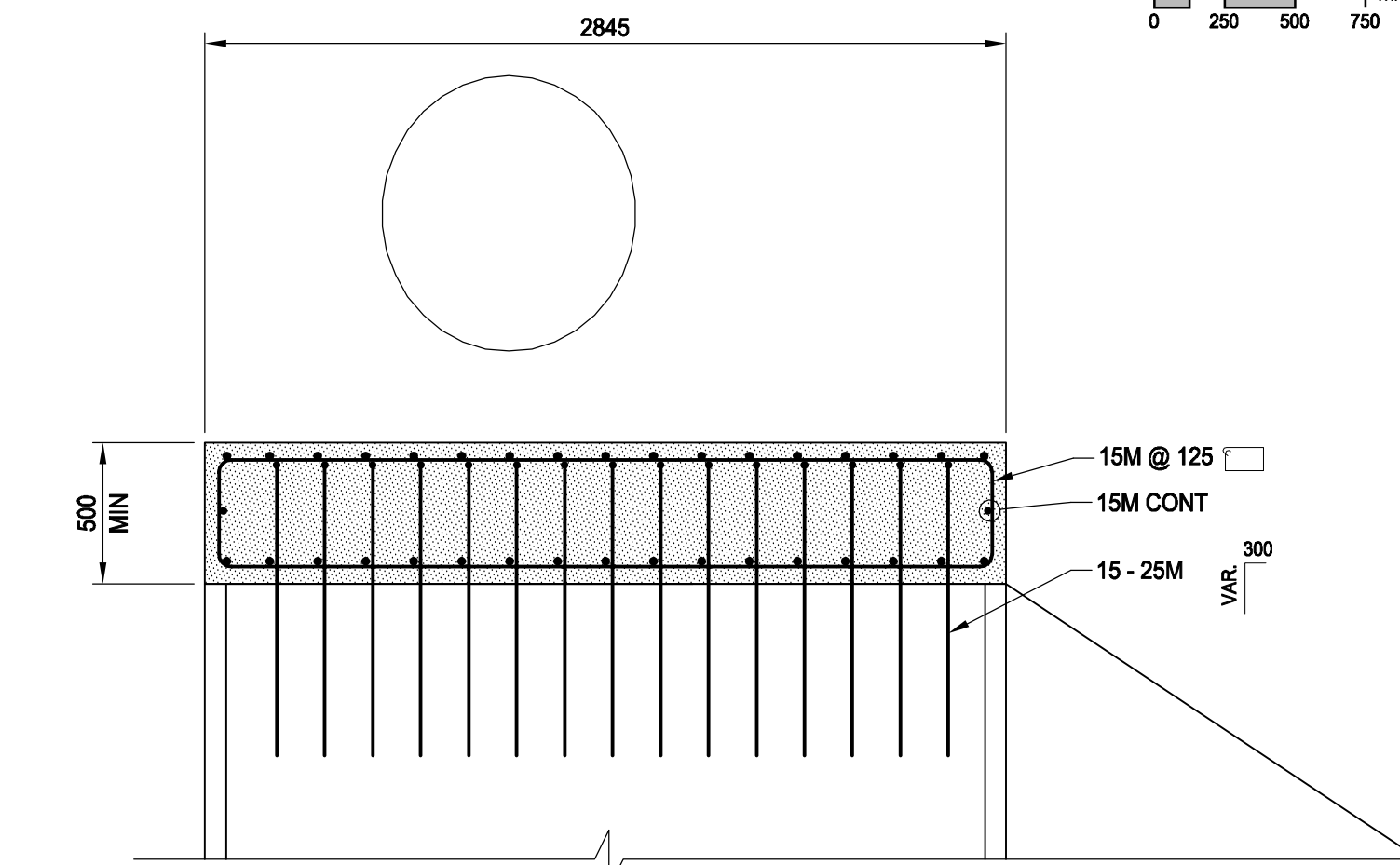
### SECTION B

SCALE 1:25



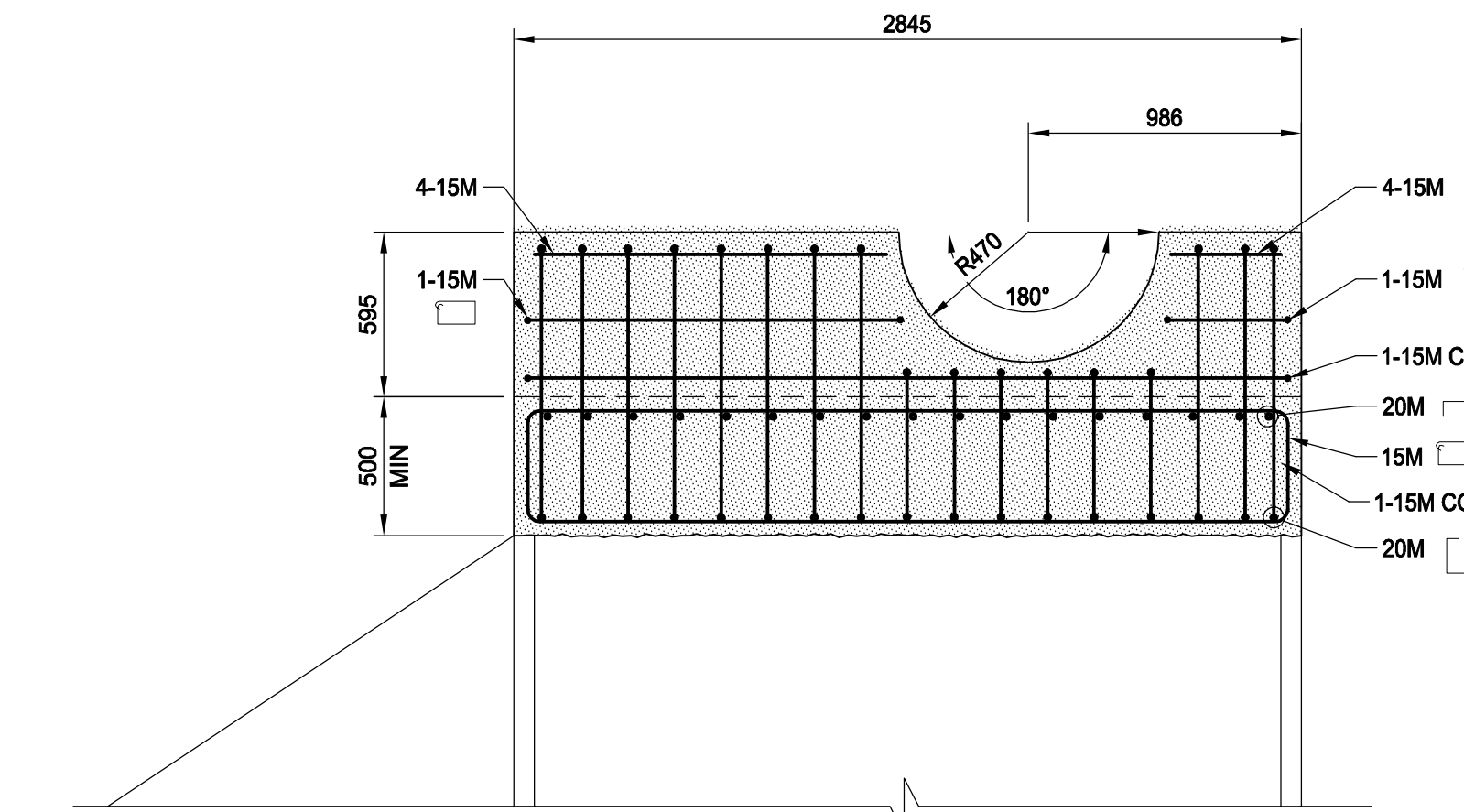
### PIPE STRAP DETAILS

SCALE 1:5



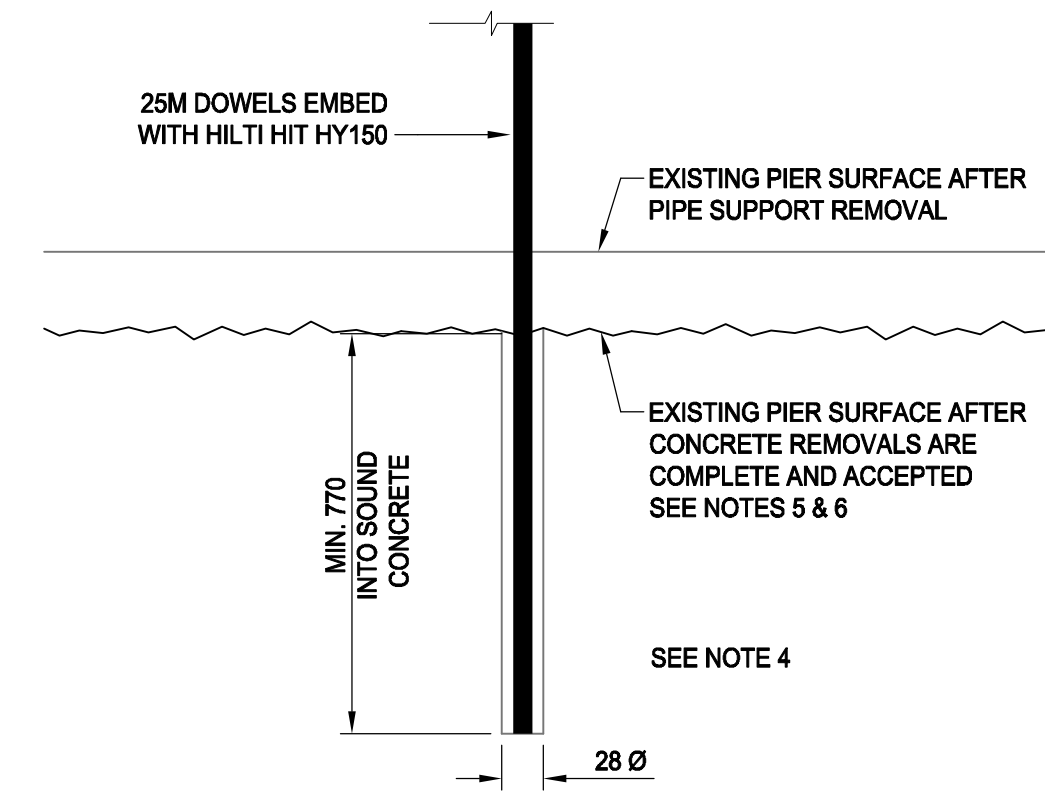
### SECTION D

SCALE 1:25



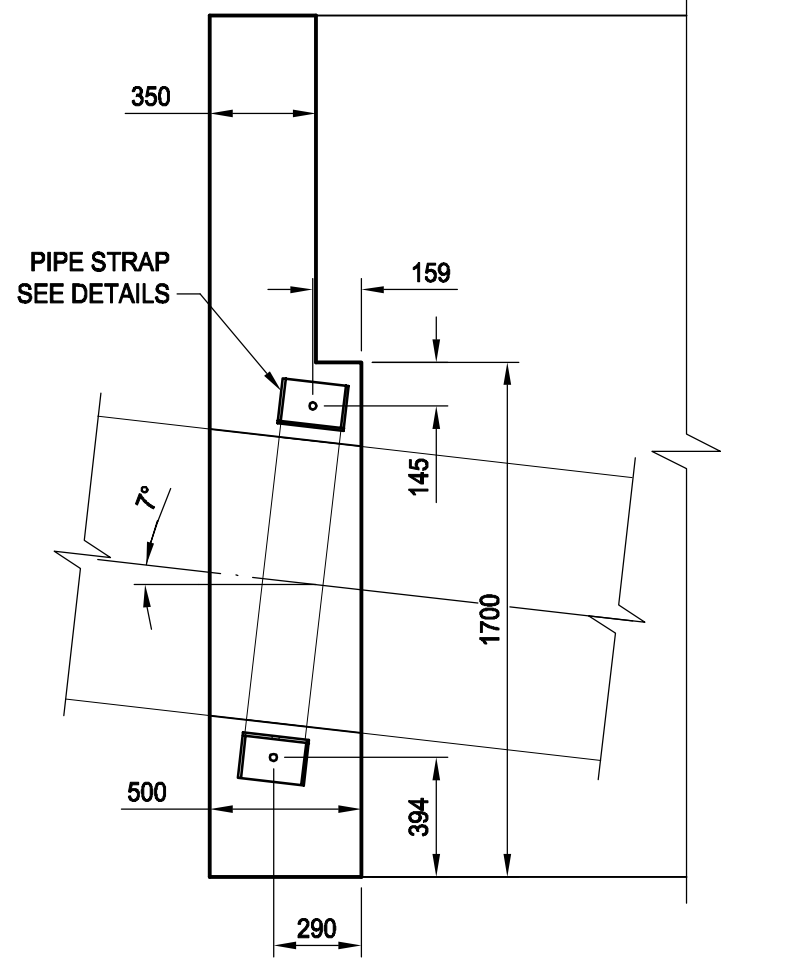
### SECTION E

SCALE 1:25



### DETAIL 1

SCALE: NTS



### PLAN F

SCALE 1:25

- NOTE:
- ALL CONCRETE SHALL BE  $f_c=35$  MPa AT 28 DAYS DESIGNED FOR C-1 EXPOSURE.
  - ALL REINFORCING STEEL SHALL HAVE A  $50\pm 10$ mm CLEAR COVER UNLESS NOTED OTHERWISE.
  - CUT THE EXISTING REINFORCING DURING EXISTING PIPE SUPPORT REMOVAL.
  - ANCHOR DOWELS AT MINIMUM OF 50mm OFFSET FROM EACH OF EXISTING TRANSVERSE REINFORCING. INSTALL DOWELS IN ACCORDANCE WITH MANUFACTURER'S INSTRUCTIONS. REMOVE ALL UNSOUND CONCRETE TO MAXIMUM OF 100mm. IF GREATER THAN 100mm, NOTIFY THE CONTRACT ADMINISTRATOR.
  - HOLES MUST BE DRILLED WITH HILTI ROTARY HAMMER DRILLS OR IF CORE DRILLED THEY MUST BE CONDITIONED WITH HILTI CONDITIONING BITS.

### LOCATION APPROVED UNDERGROUND STRUCTURES

SUPR. U/G STRUCTURES COMMITTEE DATE

NOTE: LOCATION OF UNDERGROUND STRUCTURES AS SHOWN ARE BASED ON THE BEST INFORMATION AVAILABLE. BUT NO GUARANTEE IS GIVEN THAT ALL EXISTING UTILITIES ARE SHOWN OR THAT THE GIVEN LOCATIONS ARE EXACT. CONFIRMATION OF EXISTENCE AND EXACT LOCATION OF ALL SERVICES MUST BE OBTAINED FROM THE INDIVIDUAL UTILITIES BEFORE PROCEEDING WITH CONSTRUCTION.



<b>AECOM</b>		PROFESSIONAL'S SEAL	
DESIGNED BY FT/ARB	CHECKED BY SBB/KC	REVISION '0' Issued For Construction Sealed By: S. B. BISWANGER May 9, 2011	
DRAWN BY DJH	APPROVED BY EBL	CONSULTANT DRAWING NO. D265-230-02_01-S-4006_RX.dwg	
HOR. SCALE AS NOTED	RELEASED FOR CONSTRUCTION	K. Zurek May 11/11	
VERT. SCALE AS NOTED	DATE		

**THE CITY OF WINNIPEG WATER AND WASTE DEPARTMENT**

REHABILITATION / REPLACEMENT OF THE MIDTOWN FEEDERMAIN AT THE ASSINBOINE RIVER

STRUCTURAL CONCRETE PIER SU1 & SU4 WORK

SHEET 11 OF 18  
CITY DRAWING NUMBER  
REV 0  
D-12237

BID OPPORTUNITY NO. 854-2010