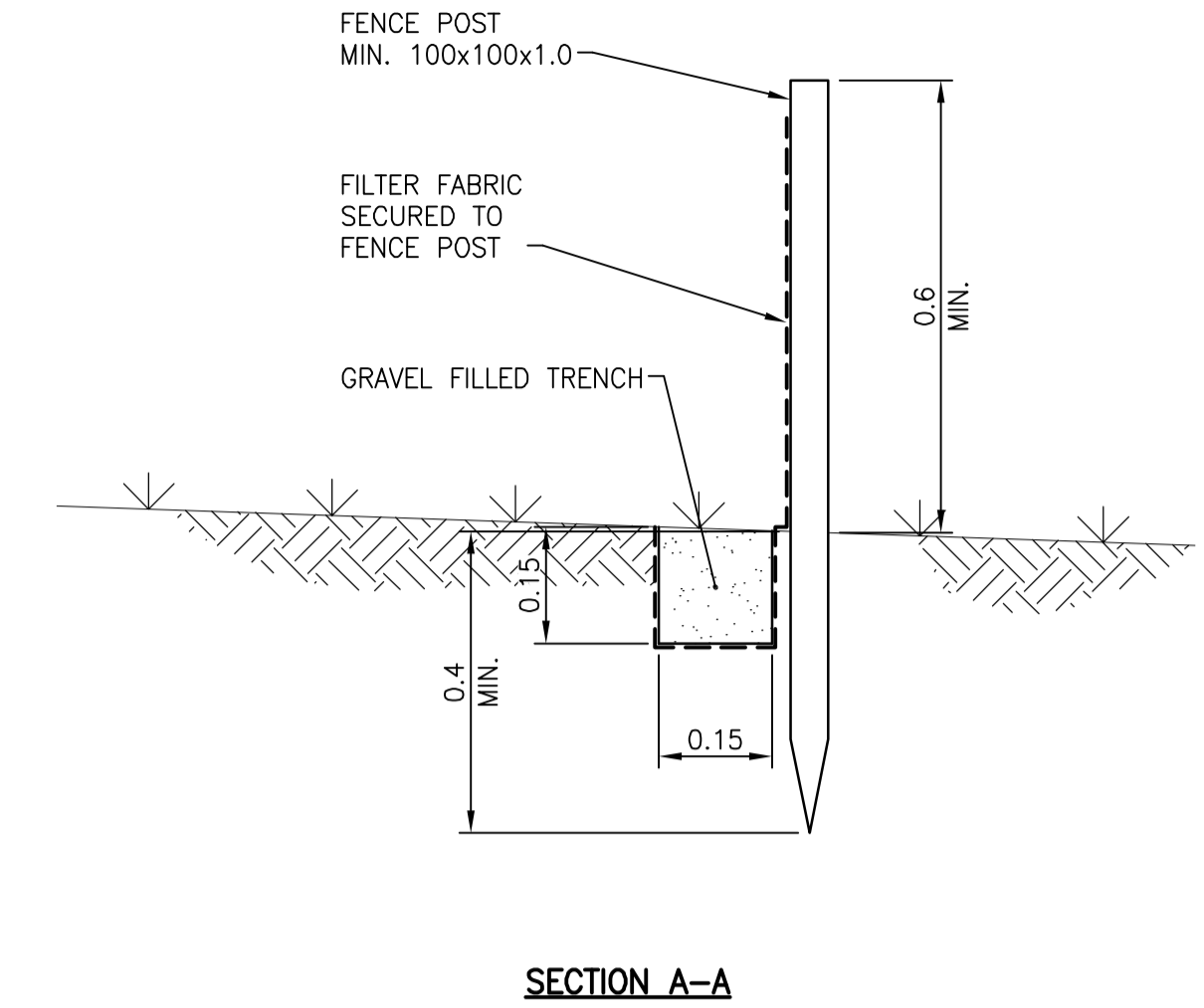
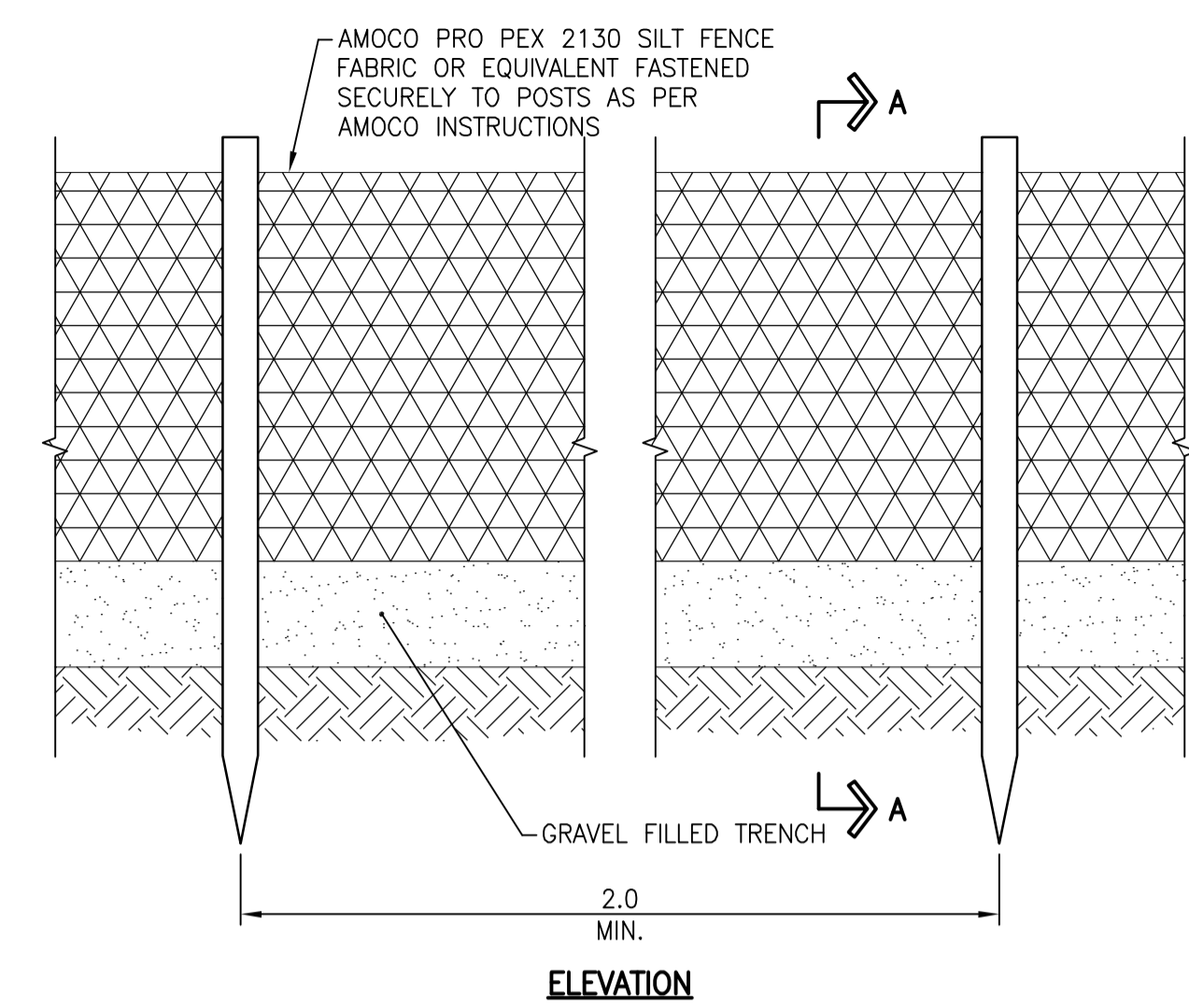
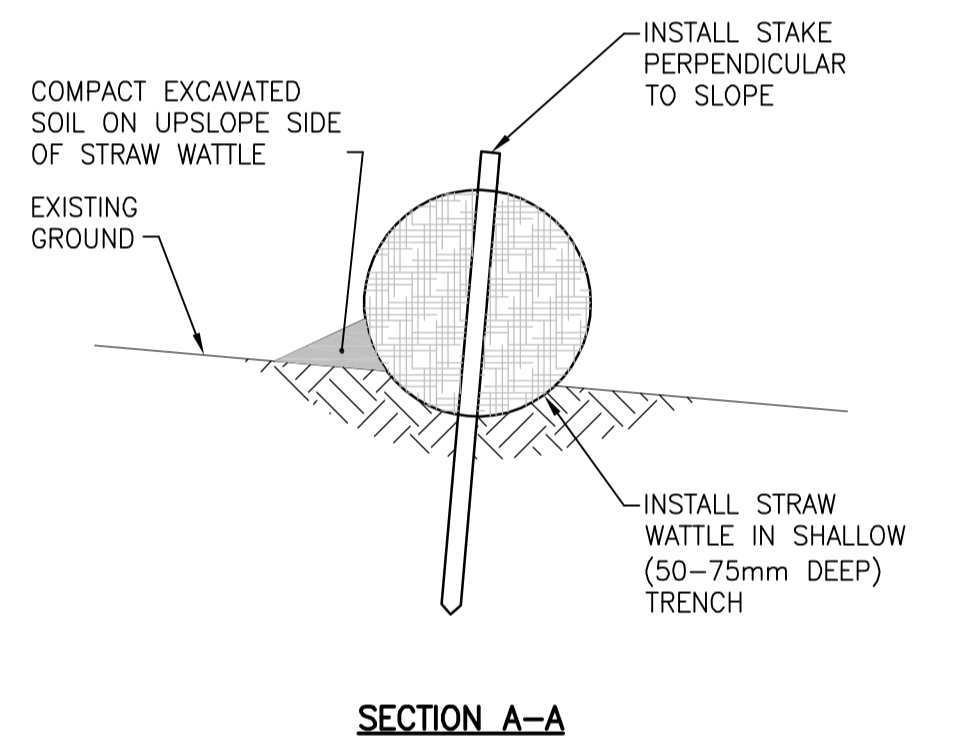
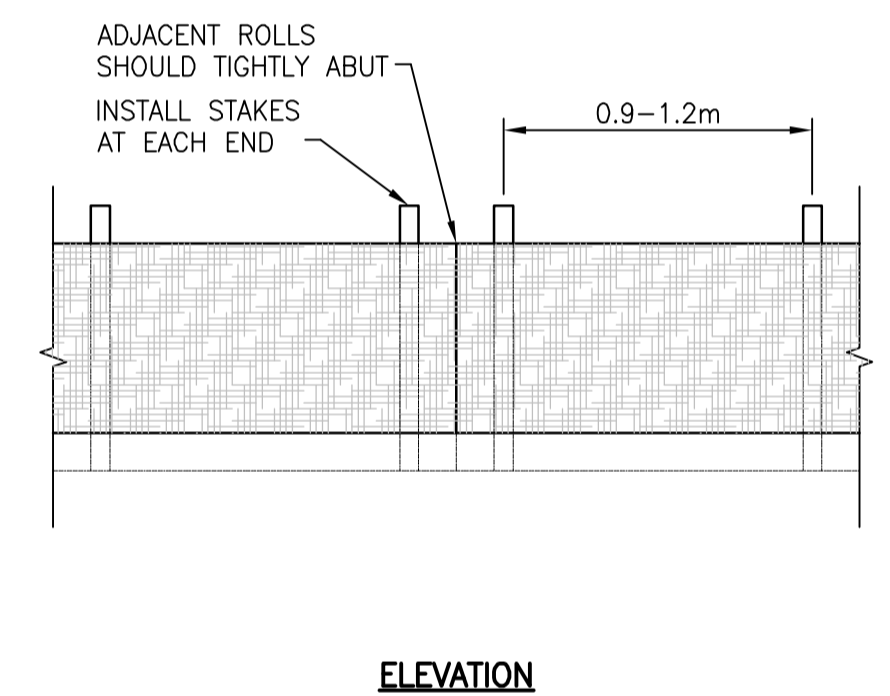
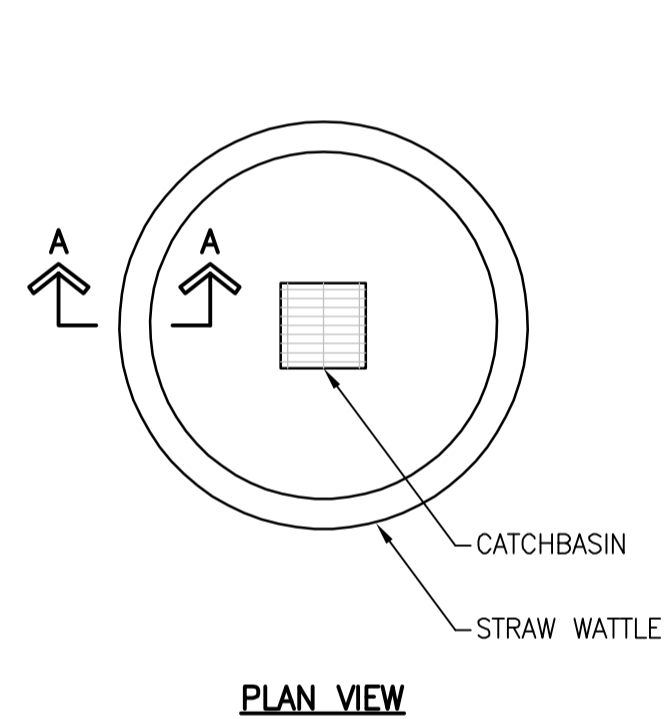


NOTES:  
DITCH INLET GRATE IS SHOPOST IRONWORKS MK A1 OR APPROVED EQUAL.  
GALVANIZE ENTIRE ASSEMBLY AFTER FABRICATION.

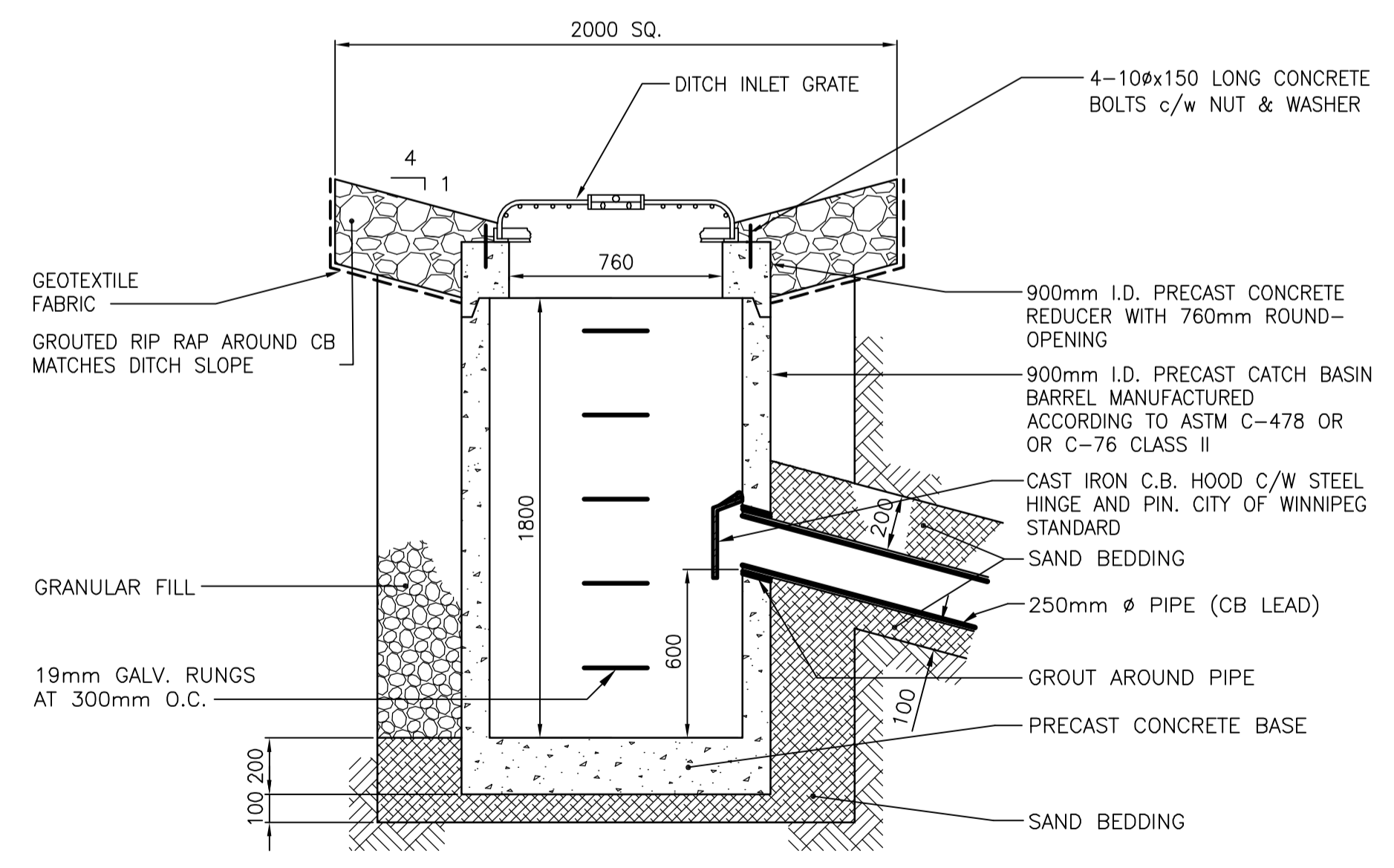
**DITCH INLET GRATE**  
SCALE 1:10



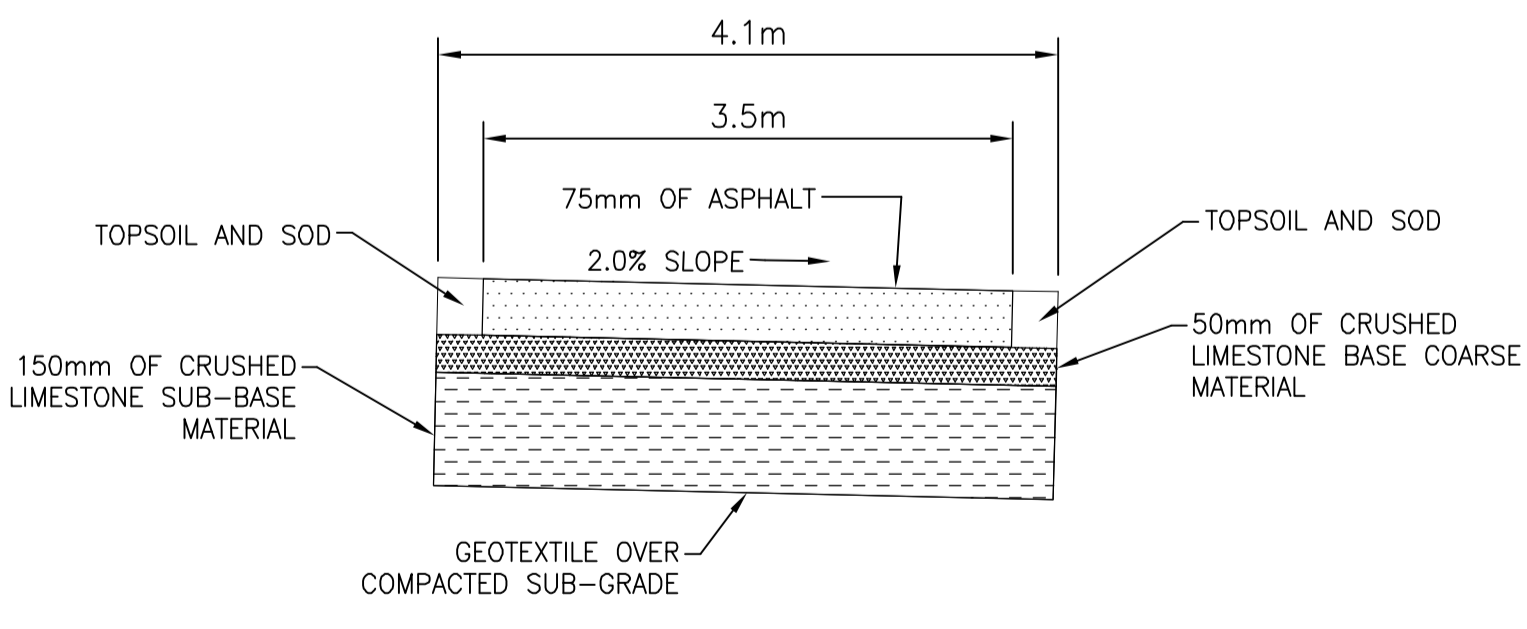
**SILT FENCE**  
SCALE 1:10



**STRAW WATTLE DETAIL**  
SCALE 1:10



**DITCH INLET CATCHBASIN**  
SCALE 1:20



**MULTI-USE PATHWAY SECTION**  
SCALE N.T.S.

BID OPPORTUNITY NO. 886-2010  
**APEGM**  
Certificate of Authorization  
Stantec Consulting Ltd.  
No. 1301 Date: \_\_\_\_\_

**LOCATION APPROVED UNDERGROUND STRUCTURES**

|  |      |
|--|------|
| SUPV. U/G STRUCTURES COMMITTEE   | DATE |
| NOTE:<br>LOCATION OF UNDERGROUND STRUCTURES AS SHOWN ARE BASED ON THE BEST INFORMATION AVAILABLE BUT NO GUARANTEE IS GIVEN THAT ALL EXISTING UTILITIES ARE SHOWN OR THAT THE GIVEN LOCATIONS ARE EXACT. CONFIRMATION OF EXISTENCE AND EXACT LOCATION OF ALL SERVICES MUST BE OBTAINED FROM THE INDIVIDUAL UTILITIES BEFORE PROCEEDING WITH CONSTRUCTION. |      |

|        |            |
|--------|------------|
| B.M. X | ELEV. X m  |
| NO.    | REVISIONS  |
| DATE   | BY         |
| DATE   | 2010.07.26 |

**Stantec Consulting Ltd.**  
905 Waverley Street, Winnipeg, Manitoba  
Tel 204-489-5900 Fax 204-453-9012

|                       |                                 |
|-----------------------|---------------------------------|
| DESIGNED BY: J.C.     | CHECKED BY: H.K.                |
| DRAWN BY: D.M.L.      | APPROVED BY: L.C.               |
| HOR. SCALE: VERTICAL: | RELEASED FOR CONSTRUCTION: DATE |

ENGINEER'S SEAL

CONSULTANT DRAWING NO. C-243

**THE CITY OF WINNIPEG**  
WATER AND WASTE DEPARTMENT  
ENGINEERING DIVISION

**DETAILS**  
I OF 2

SHEET II OF 12  
CAD FILE DRAWING NUMBER I1890c-243-712.dwg  
CITY DRAWING NUMBER LD-5579

MAGER COMBINED SEWER DISTRICT SEWER SEPARATION  
CONTRACT NO. 3

W:\1131\cadd\11311890\dwg\11311890\_02\_dwg.dwg  
 2010-10-08 01:44PM By: dclark

**METRIC**  
WHOLE NUMBERS INDICATE MILLIMETRES  
DECIMALIZED NUMBERS INDICATE METRES