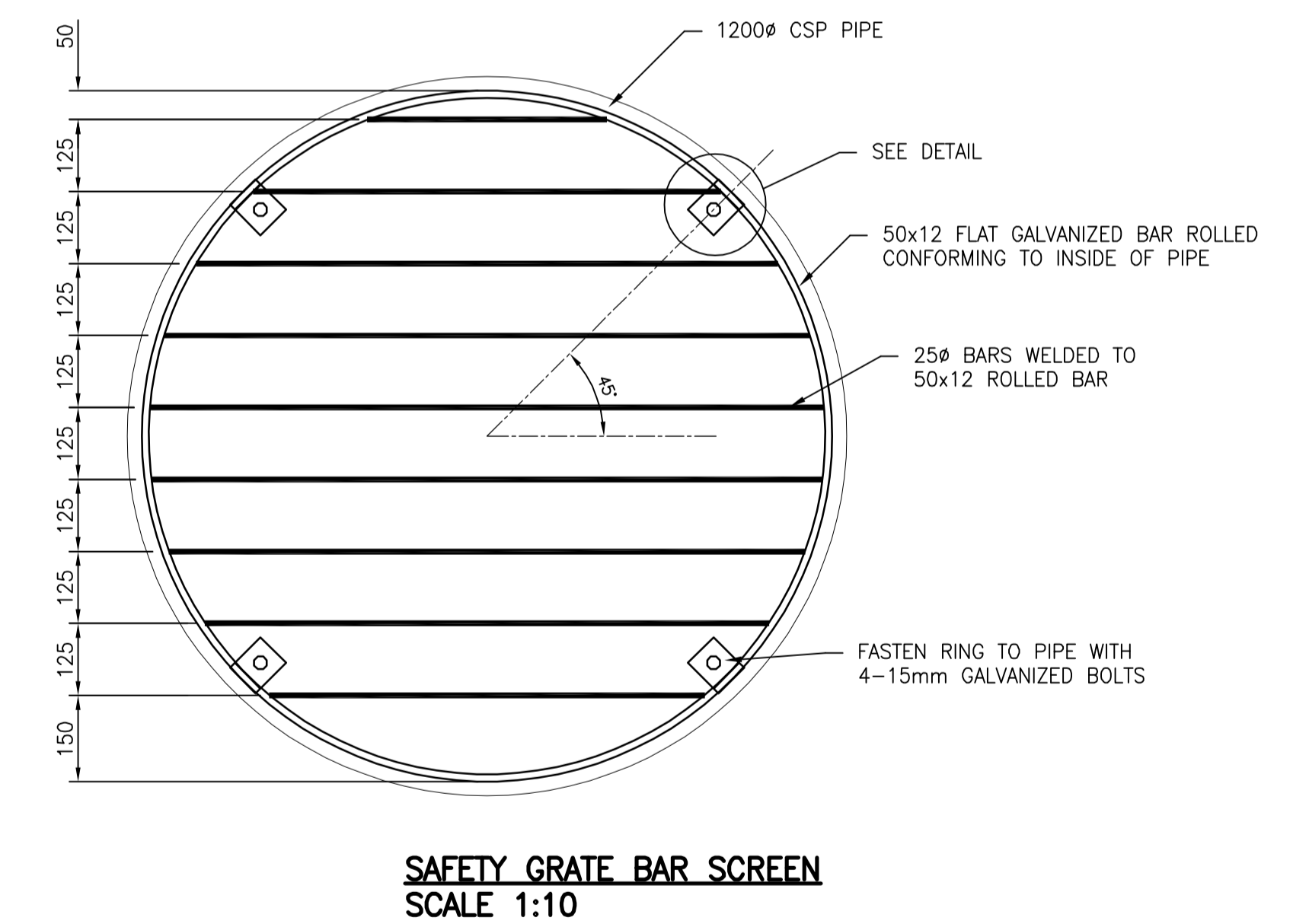


**CONCRETE COLLAR  
SCALE 1:15**



**SAFETY GRATE BAR SCREEN  
SCALE 1:10**

W:\112\pctm\11211880\dwg\11211880.dwg 2010-12-08 01:59M By: adrian

**METRIC**  
WHOLE NUMBERS INDICATE MILLIMETRES  
DECIMALIZED NUMBERS INDICATE METRES

BID OPPORTUNITY NO. 886-2010

**APEGM**  
Certificate of Authorization  
Stantec Consulting Ltd.  
No. 1301 Date: \_\_\_\_\_

**LOCATION APPROVED UNDERGROUND STRUCTURES**

SUPV. U/G STRUCTURES COMMITTEE	DATE
NOTE: LOCATION OF UNDERGROUND STRUCTURES AS SHOWN ARE BASED ON THE BEST INFORMATION AVAILABLE BUT NO GUARANTEE IS GIVEN THAT ALL EXISTING UTILITIES ARE SHOWN OR THAT THE GIVEN LOCATIONS ARE EXACT. CONFIRMATION OF EXISTENCE AND EXACT LOCATION OF ALL SERVICES MUST BE OBTAINED FROM THE INDIVIDUAL UTILITIES BEFORE PROCEEDING WITH CONSTRUCTION.	

B.M. X ELEV. X m			
NO.	REVISIONS	DATE	BY

**Stantec Consulting Ltd.**  
905 Waverley Street, Winnipeg, Manitoba  
Tel 204-489-5900 Fax 204-453-9012

DESIGNED BY: J.C.	CHECKED BY: H.K.
DRAWN BY: D.M.L.	APPROVED BY: L.C.
HOR. SCALE: VERTICAL:	RELEASED FOR CONSTRUCTION: DATE

ENGINEER'S SEAL

CONSULTANT DRAWING NO.  
**C-244**

**THE CITY OF WINNIPEG**  
WATER AND WASTE DEPARTMENT  
ENGINEERING DIVISION

**DETAILS**  
2 OF 2

MAGER COMBINED SEWER DISTRICT SEWER SEPARATION  
CONTRACT NO. 3

SHEET 12 OF 12
CAD FILE DRAWING NUMBER 11890c-243-712.dwg
CITY DRAWING NUMBER LD-5580