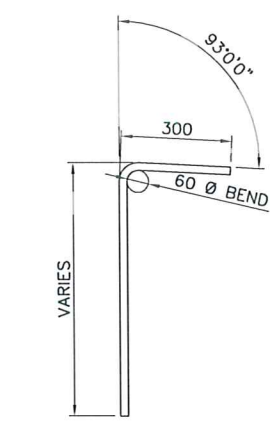
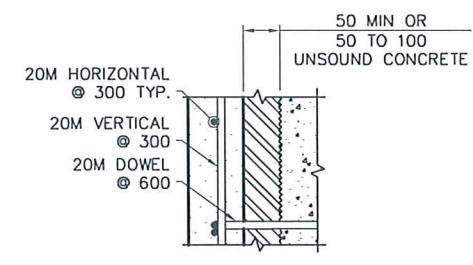


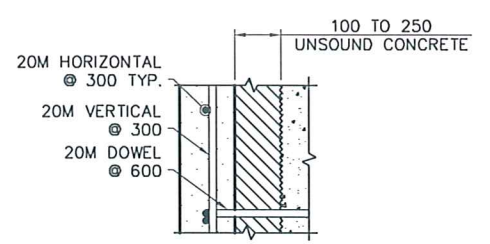
DETAIL 1
SCALE 1:10



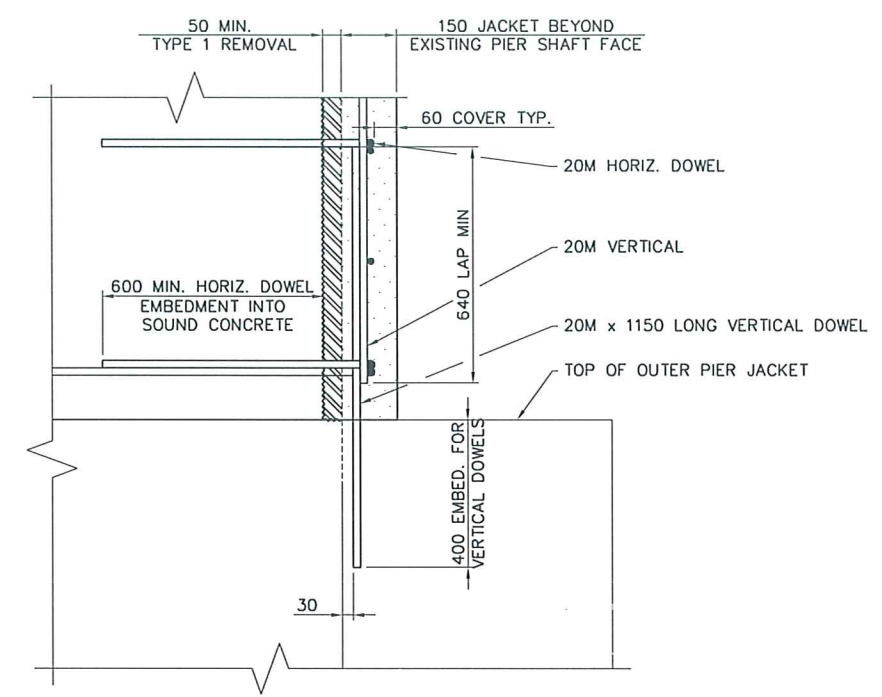
HORIZONTAL DOWEL DETAIL 4
SCALE 1:10



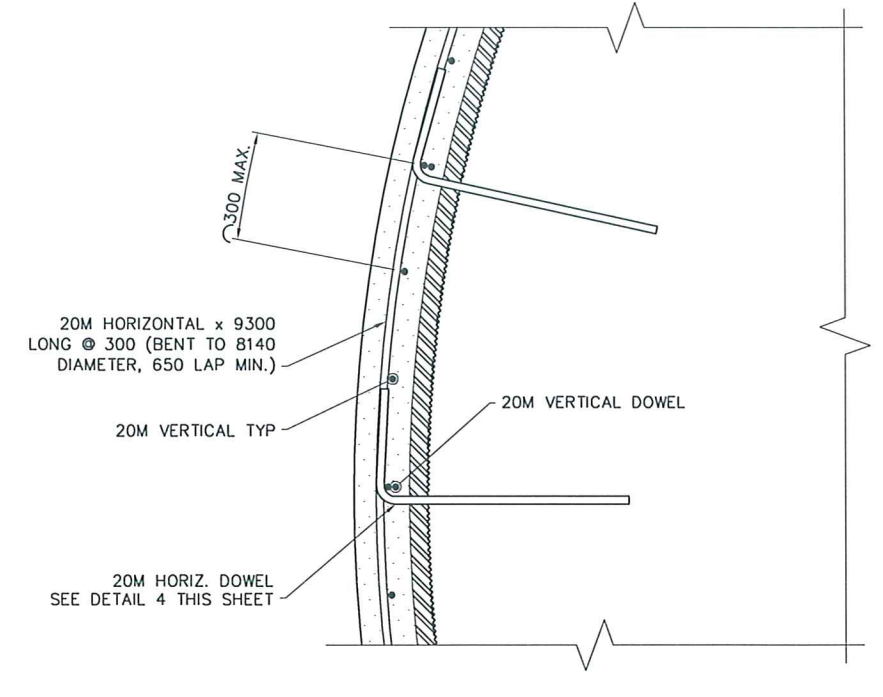
TYPE 1 REPAIR DETAIL
SCALE 1:10



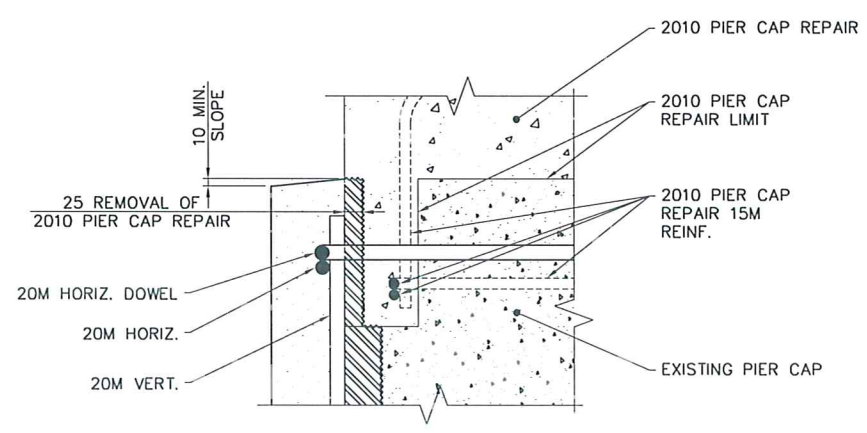
TYPE 2 REPAIR DETAIL
SCALE 1:10



DETAIL 2
SCALE 1:10



DETAIL 3
SCALE 1:10



DETAIL 5
SCALE 1:5

GENERAL NOTES:

- THE DETAILS AND DIMENSIONS SHOWN ON THE DRAWINGS HAVE BEEN OBTAINED FROM FIELD MEASUREMENTS. ORIGINAL DESIGN DRAWINGS ARE UNAVAILABLE. CONTRACTOR TO VERIFY ALL DETAILS AND DIMENSIONS AND REPORT ANY DISCREPANCIES TO THE CONTRACT ADMINISTRATOR PRIOR TO COMMENCING WORK.
- REMOVE MINIMUM 50mm AND ALL UNSOUND CONCRETE FROM SURFACES SHOWN.
- APPROXIMATE QUANTITIES FOR THE PIER ENCAPSULATION SHALL BE BASED ON THE FOLLOWING TYPES OF REPAIRS:
 - TYPE 1 - AREAS THAT REQUIRE LESS THAN 100mm DEPTH REMOVAL OF UNSOUND CONCRETE SHALL BE REPAIRED USING REINFORCED CONCRETE.
 - TYPE 2 - AREAS THAT REQUIRE GREATER THAN 100mm DEPTH REMOVAL OF UNSOUND CONCRETE SHALL BE REPAIRED USING REINFORCED CONCRETE.

LEGEND

- REPAIR TYPE 1 [Hatched pattern]
- REPAIR TYPE 2 [Dotted pattern]
- NEW CONCRETE [Stippled pattern]



METRIC
ALL DIMENSIONS ARE IN mm
UNLESS NOTED OTHERWISE

DESIGNED BY: ARB	CHECKED BY: EBL	ELIM PARK PEDESTRIAN BRIDGE PIER 2 ENCAPSULATION		BID OPPORTUNITY 912-2010	
DRAWN BY: MSK	APPROVED BY: EBL	DETAILS		SHEET 4 OF 4	
HOR. SCALE: AS NOTED VERTICAL: AS NOTED		RELEASED FOR CONSTRUCTION BY: [Signature]		CITY DRAWING NUMBER B131-11-04	
ISSUED FOR TENDER	10/11/26 MSK	CONSULTANT DRAWING NO. CT-104			
NO. REVISIONS	DATE BY	DATE 2010-11-26			